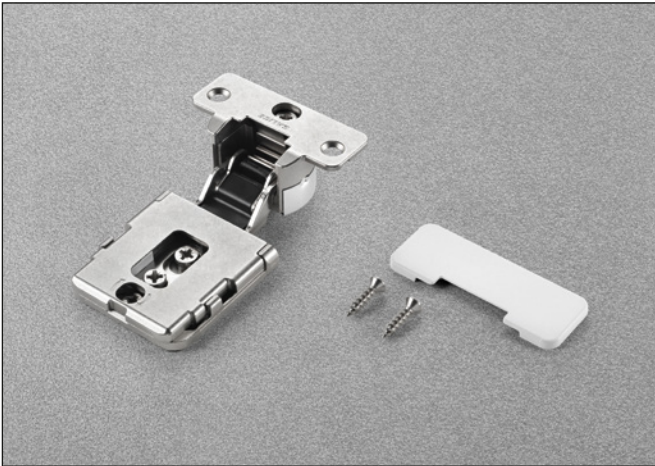


Conecta • Hinge for wooden doors

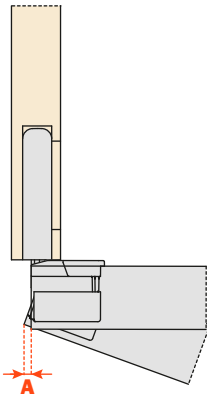


Technical features

Concealed Conecta CQA3JE hinge with recessed insertion in the door and in the side.

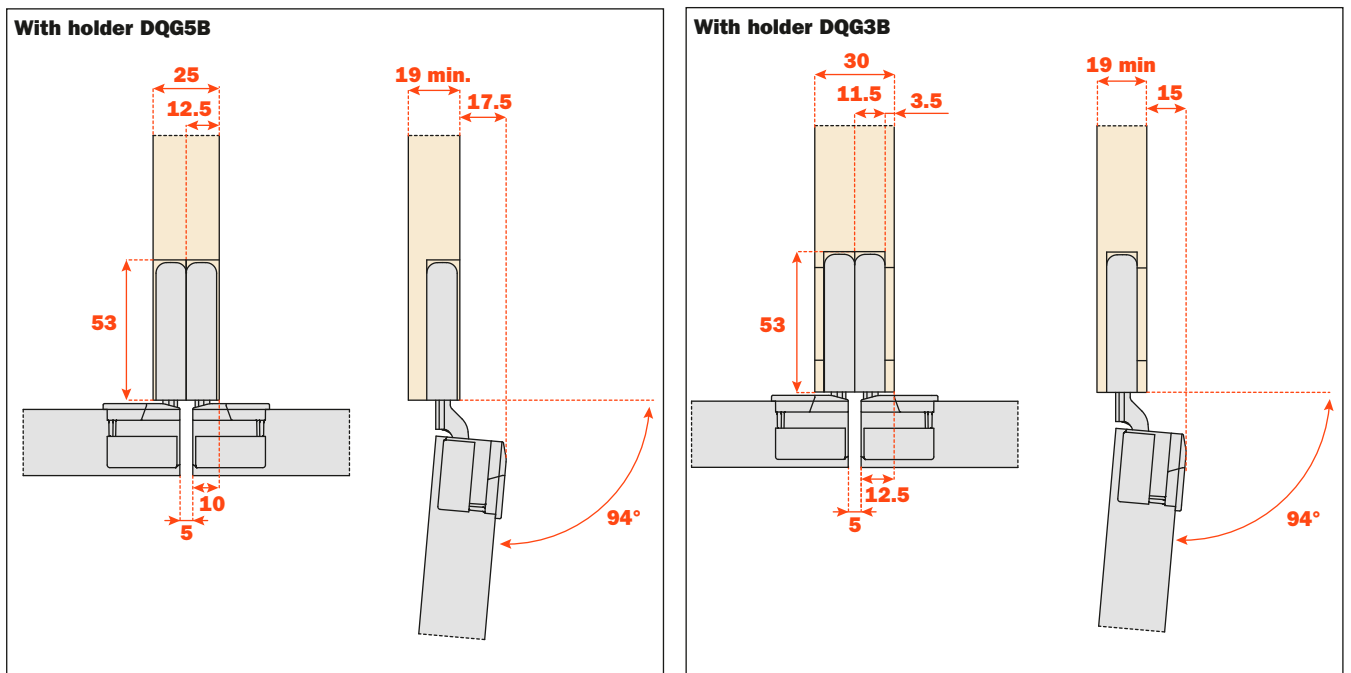
- Rapid fixing of the door to the cabinet side
- 22 mm deep metal cup
- Drilling distance fixed at 10 mm from the edge of the door to the centre of the hole
- Diameter 35 mm
- L = 3,5 mm
- 94° opening

Space needed to open the door



| | | | | | | |
|----|-----|-----|-----|-----|-----|-----|
| T= | 25 | 26 | 27 | 28 | 29 | 30 |
| A= | 2.4 | 3.1 | 4.0 | 4.7 | 5.5 | 6.3 |

Fixing into the side and projection of the door



Workings on door and cabinet

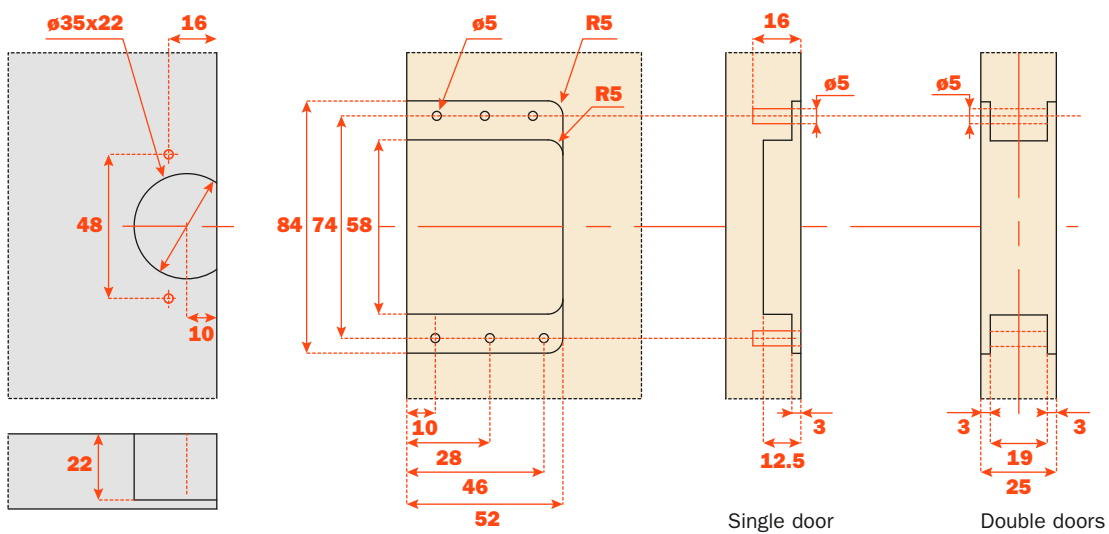
Holder DQG5B



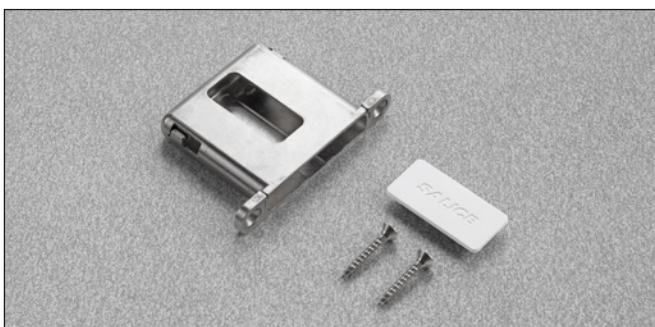
- For single door
- For double doors and side thickness 25 mm

To be screw-fixed to the cabinet side:

- For single door with Euroscrews, drilling $\varnothing 5 \times 16$ mm
- For double doors with $\varnothing 5$ mm interscrews
- Fixing screws and cover caps included in the single packing
- Fixing screws included in the industrial packing



Holder DQG3B



- For single door
- For double doors and side thickness 30 mm

To be screw-fixed to the cabinet side:

- For single door and for double doors with screws $\varnothing 4 \times 25$ mm
- Fixing screws and cover caps included in the single packing
- Fixing screws included in the industrial packing

