

Exedra2



Exedra2 Star and **Exedra2 Smart** are evolutions of the Exedra system, which, thanks to an innovatively-engineered mechanism, enable the simultaneous movement of two linked doors. It is a patented mechanism with assisted door extraction and door insertion, operated by a magnetically-assisted motion-control system that confers a smooth and perfectly balanced movement.

Thanks to the motion-control system, the handle can be fixed at the edges of the doors, allowing effortless opening and closing with one hand. Furthermore, with the aid of the electric Push kit, it is possible to use both versions on handle-less furniture.

The whole mechanism is self-supporting and fixed to the side of the cabinet; there are no load-bearing front profiles on either the top or bottom of the cabinet, thus eliminating any need for additional central supports.

Exedra2 Star and **Exedra2 Smart** can be used in a host of application to enable a significant functional optimization of space, from walk-in wardrobes to pantries for kitchens, home office solutions and in storage applications.



Exedra2 Star • Exedra2 Smart



Technical Information

DOUBLE pocket door system with cam-assisted door extraction and cushioned door insertion.

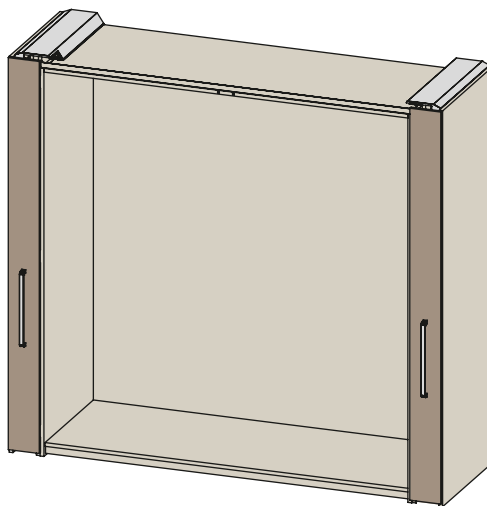
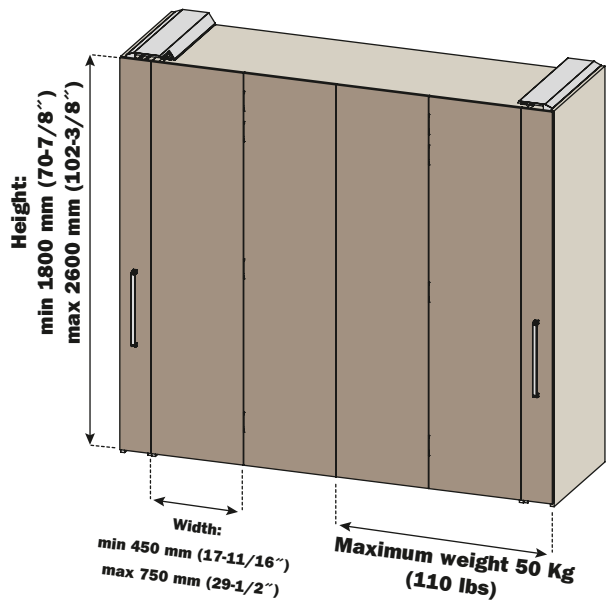
Door characteristics:

Adjustment:

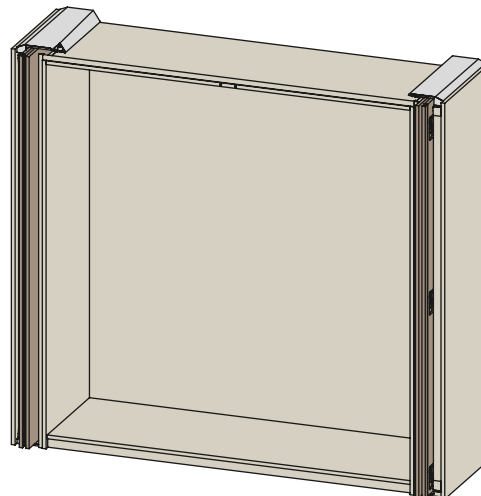
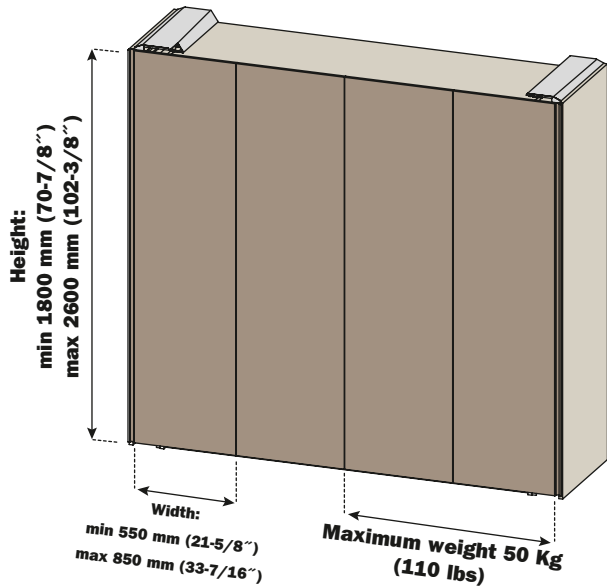
- vertical adjustment ± 5 mm
- horizontal adjustment ± 3.5 mm
- front adjustment: - upper ± 3 mm
- lower ± 2 mm

- Maximum weight for single door: 25 Kg (55 lbs)
- Doors thickness: min 18 mm (3/4") - max 25 mm (1")
- Width of single door – Exedra2 Star: min 450 mm (17-11/16") - max 750 mm (29-1/2")
- Width of single door – Exedra2 Smart: min 550 mm (21-5/8") - max 850 mm (33-7/16")
- Doors height: min 1800 mm (70-7/8") - max 2600 mm (102-3/8")

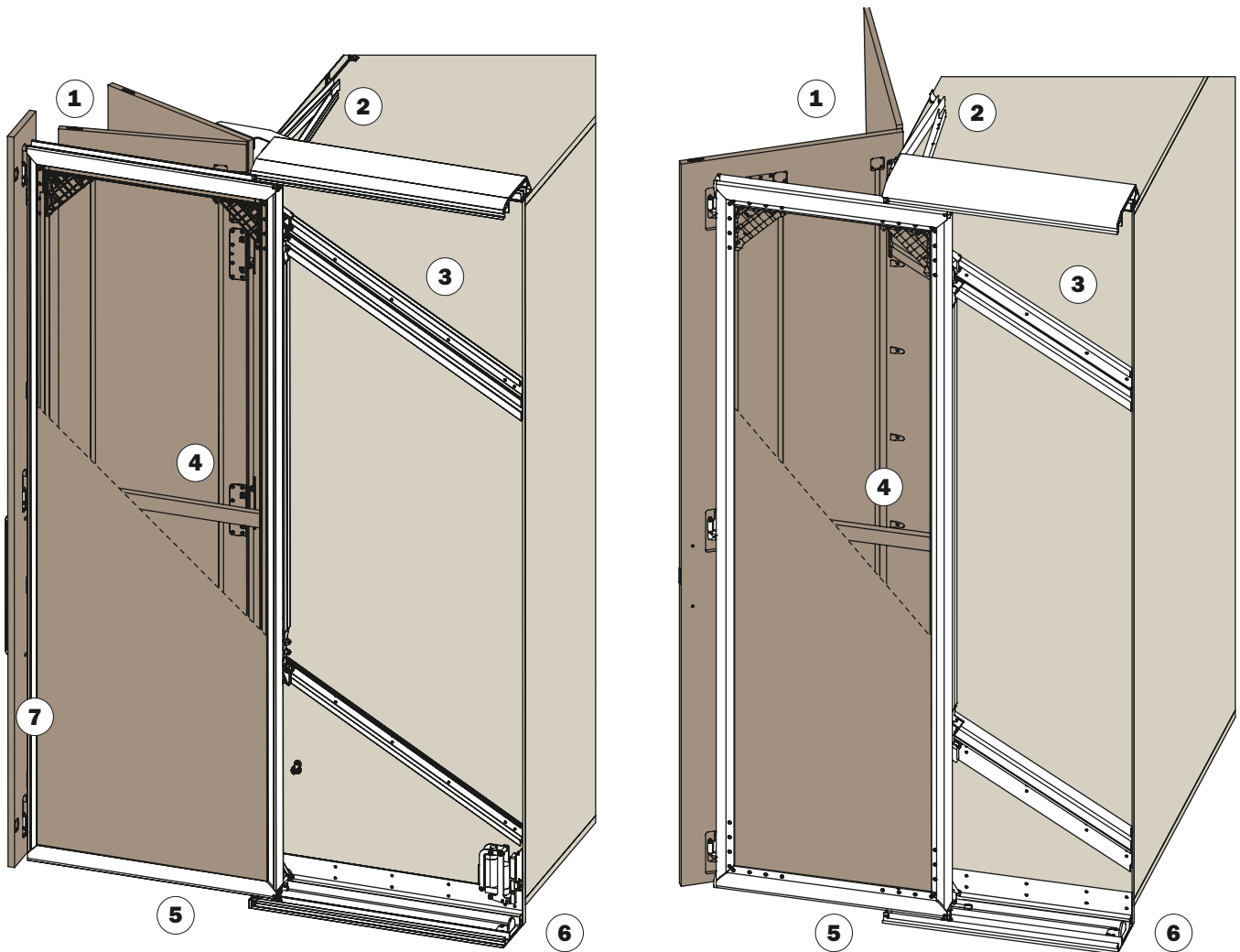
Exedra2 Star



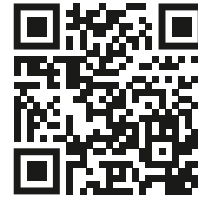
Exedra2 Smart



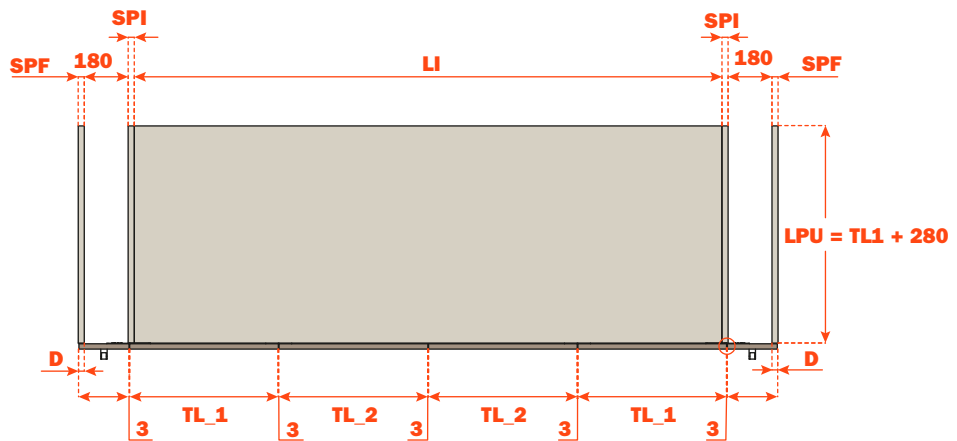
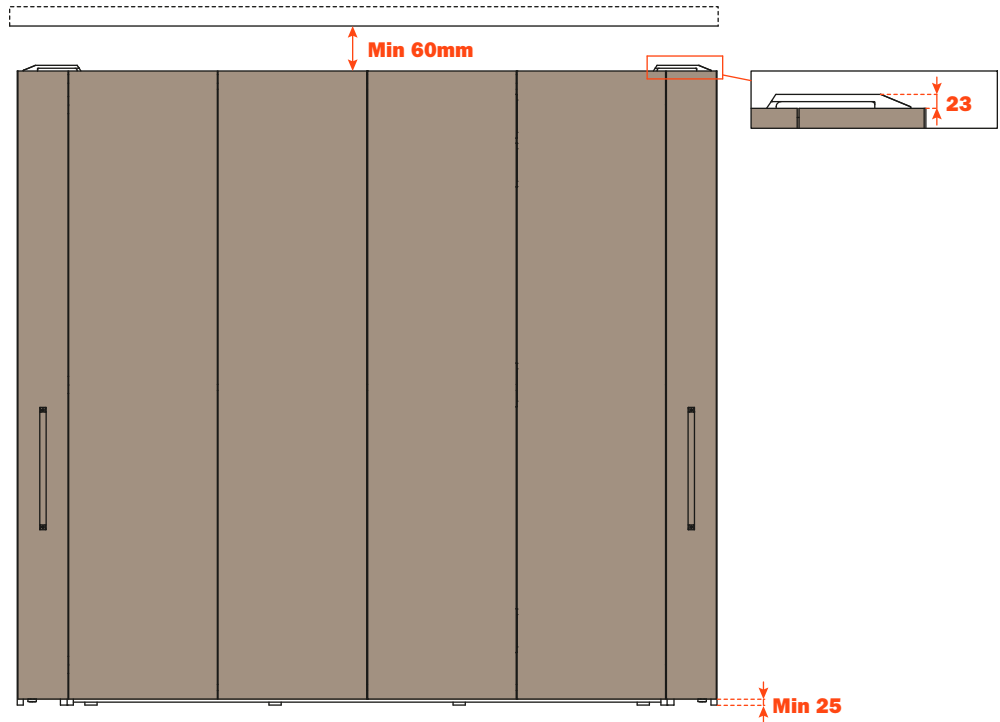
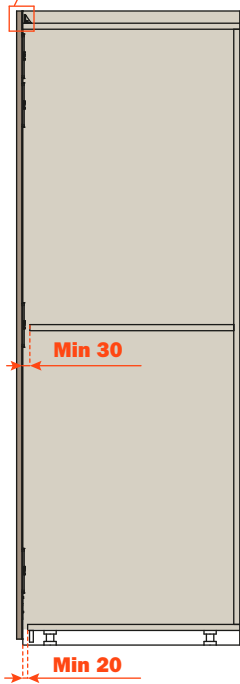
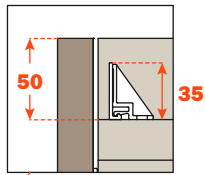
- 1** - Unique patented door opening system. The exterior surfaces of the doors are always protected during the opening and closing cycles.
- 2** - No load-bearing track on the top of the cabinet.
- 3** - Magnetic buffer for assisted cushioned doors insertion.
- 4** - Structural aluminum frame for doors movement.
- 5** - Front insertion of the load-bearing frame facilitating its installation in a wall recess.
- 6** - Side frame to support the lower load-bearing track. All the load is carried by the side panel. The track does not require ground support.
- 7** - Anti-crush device.



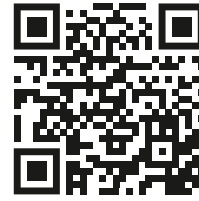
Exedra2 Star



Assembly instructions
and order form



Exedra2 Smart



Assembly instructions
and order form

