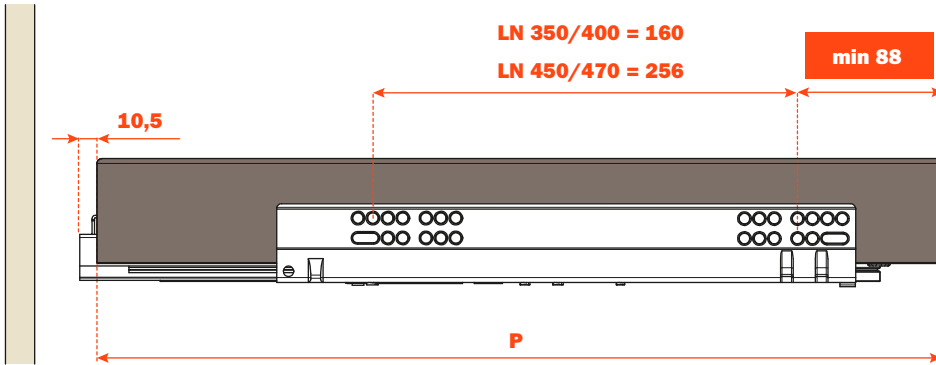
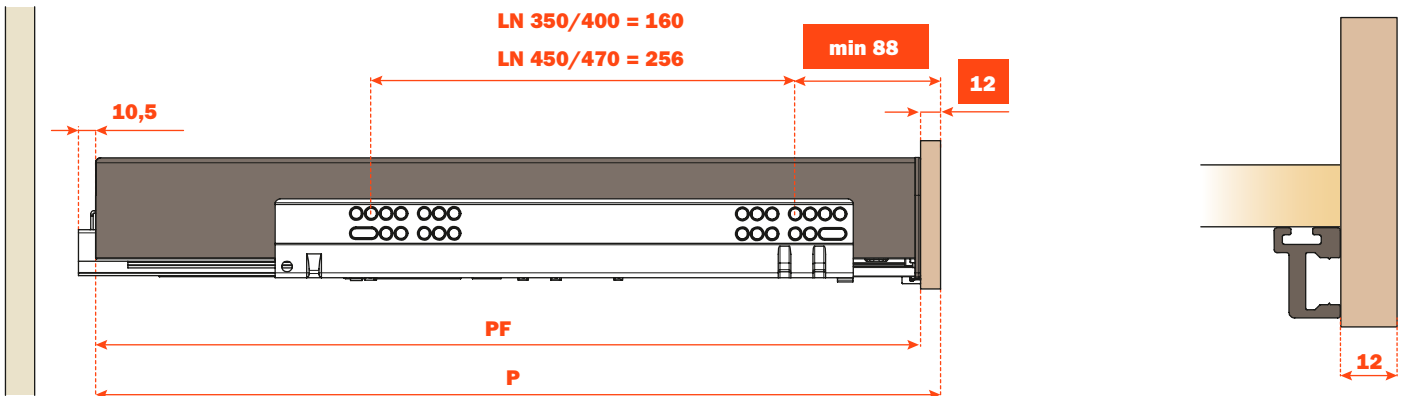


Excessories - pull-out - technical information

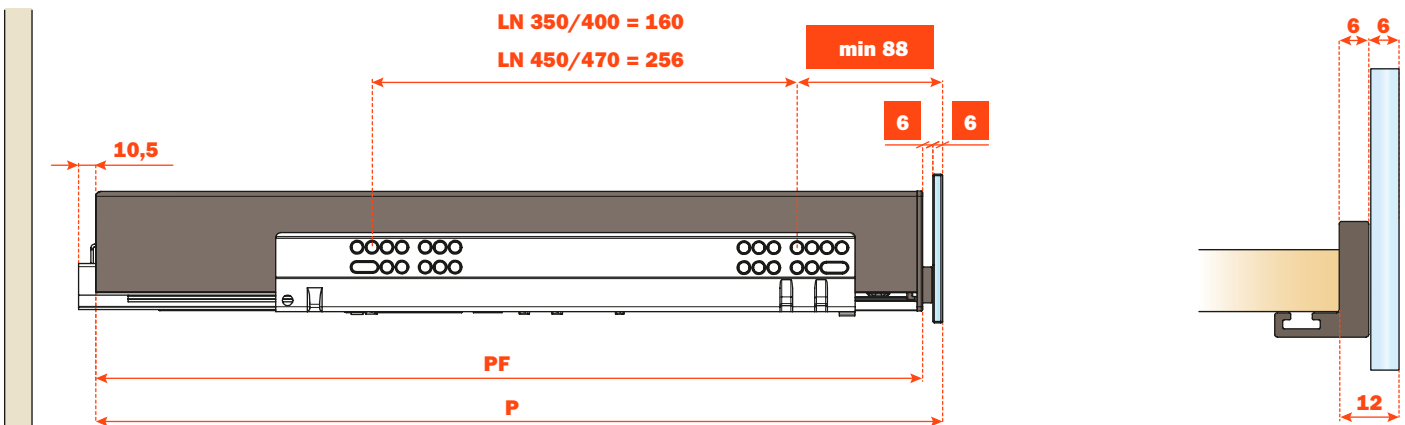
4-SIDED drawer



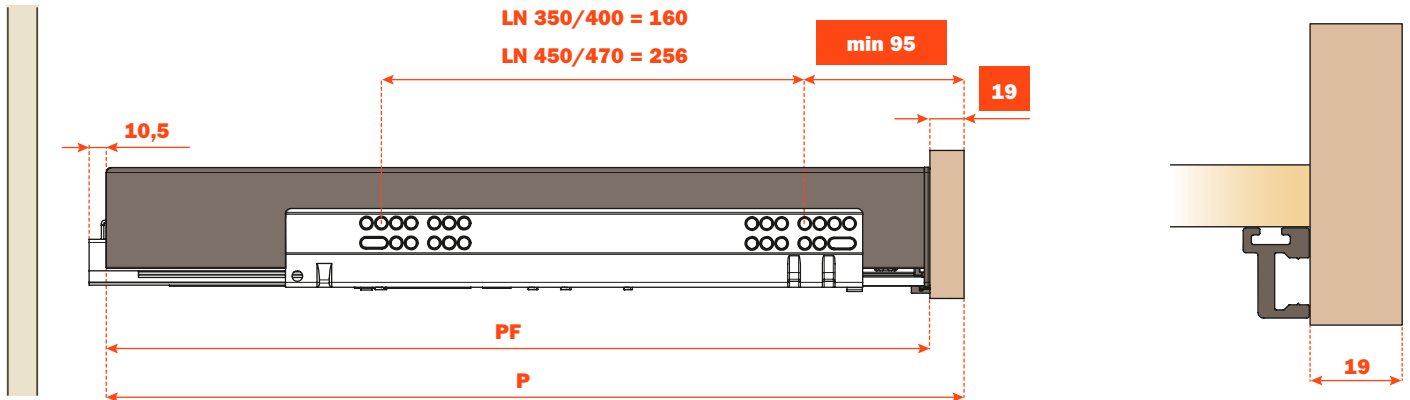
3-SIDED drawer For wooden frontal, 12 mm thick



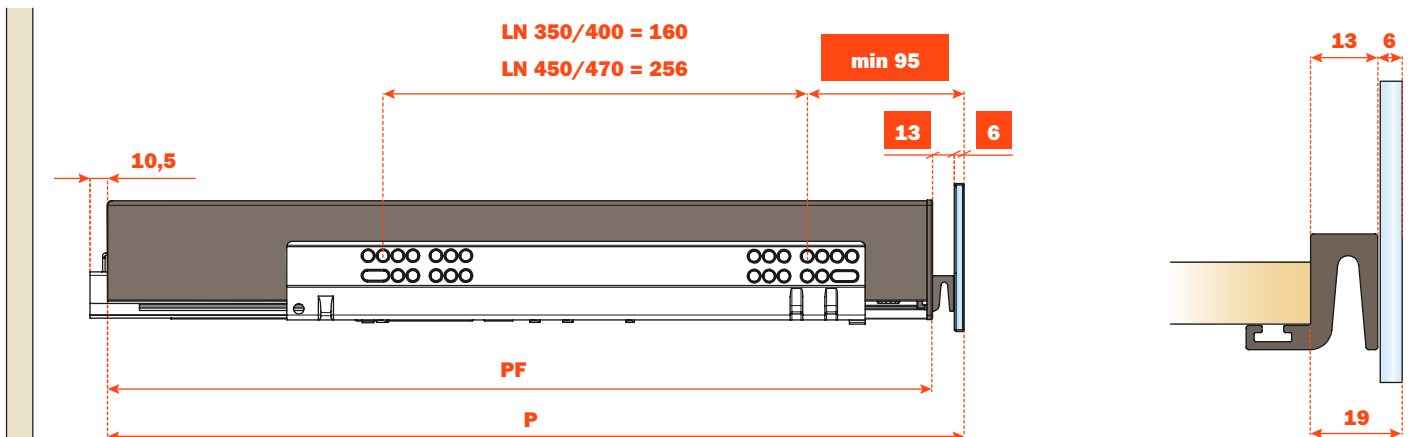
3-SIDED drawer For glass frontal, 6 mm thick + profile, 6 mm thick



3-SIDED drawer
For wooden frontal, 19 mm thick



3-SIDED drawer
For glass frontal, 6 mm thick + profile, 13 mm thick

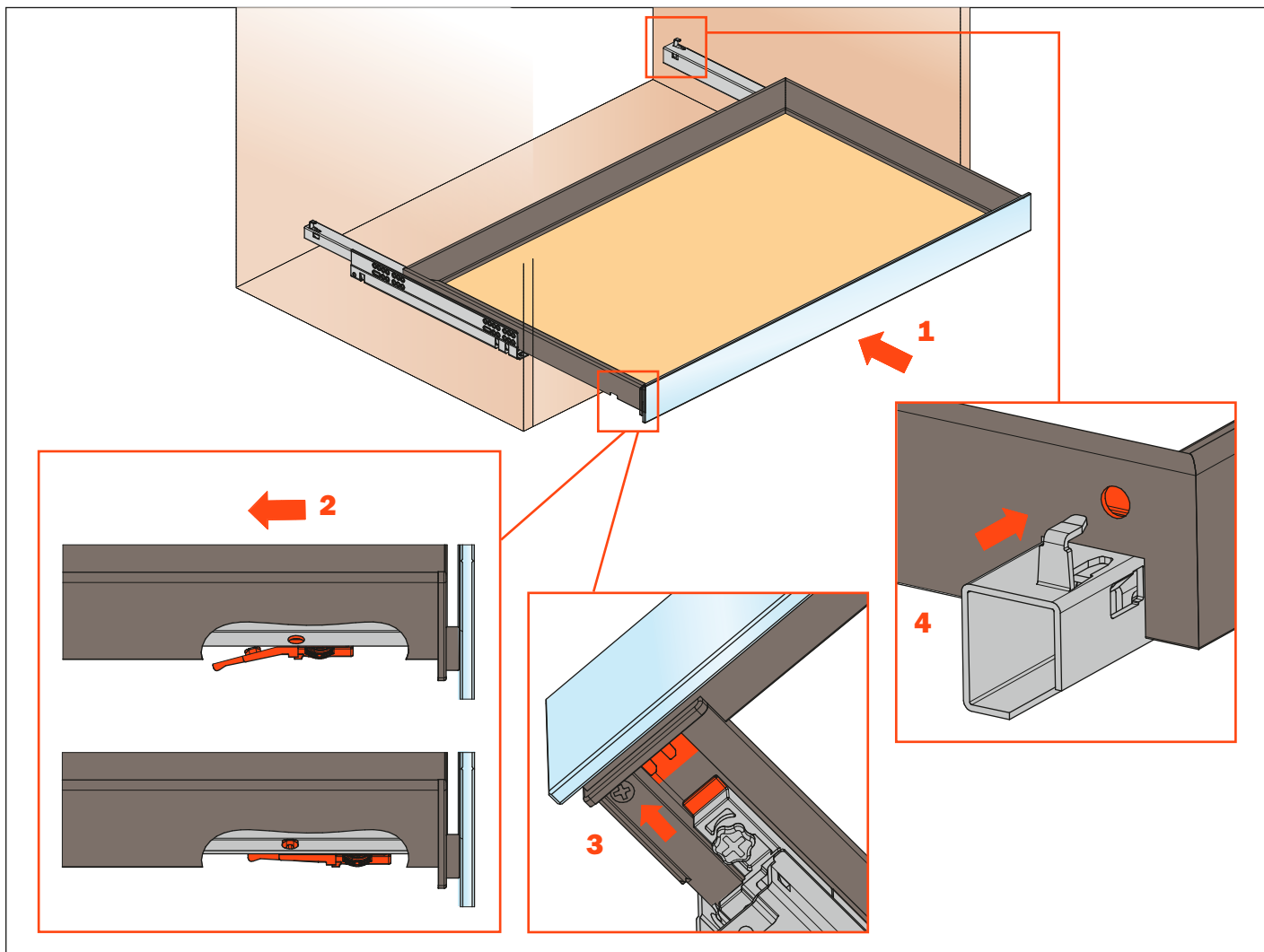


Runner length (LN) mm	Drawer depth (PF) mm	4-SIDED drawer depth (P) mm	3-SIDED drawer depth (P) mm + wooden frontal, 12 mm thick or glass frontal, 6+6 mm thick	3-SIDED drawer depth (P) mm + wooden frontal, 19 mm thick or glass frontal, 6+13 mm thick
350	378	390	390	397
400	428	440	440	447
450	478	490	490	497
470	498	510	510	517

Excessories - pull-out - technical information

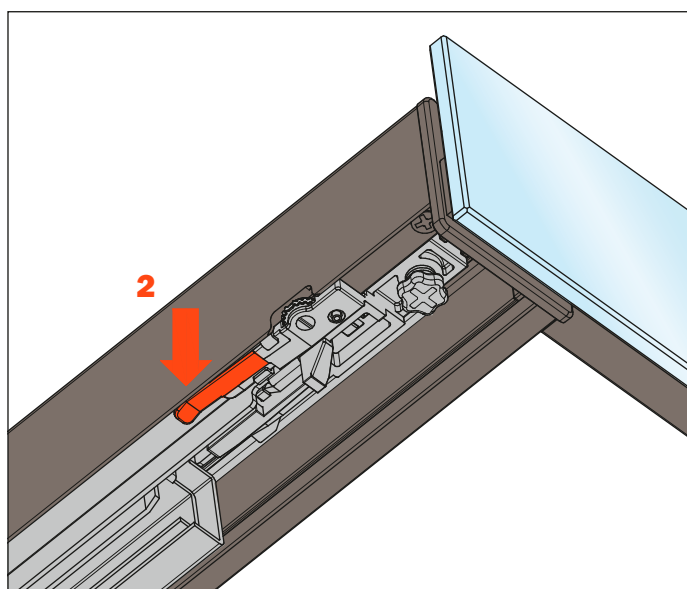
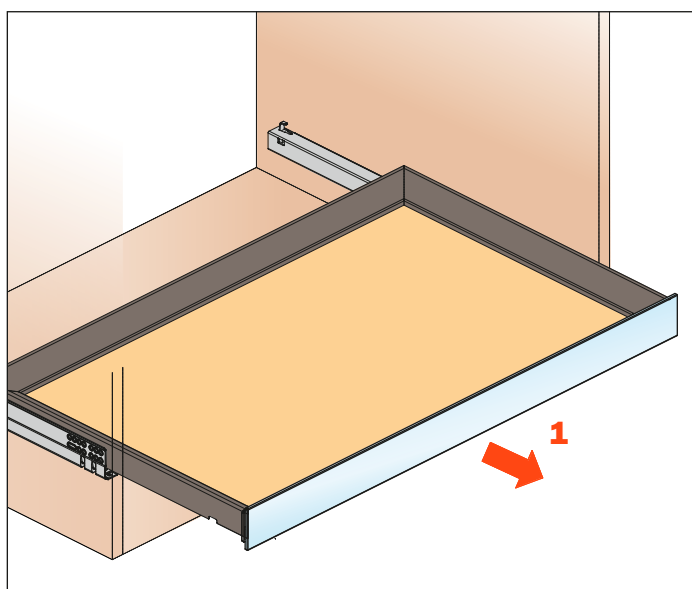
Assembly

1. Place the drawer on the runners and close it
2. The flexibility of the fixing system enables the clips to engage
3. Fix the device that prevents the shelf from overturning
4. Locate the rear hooks



Disassembly

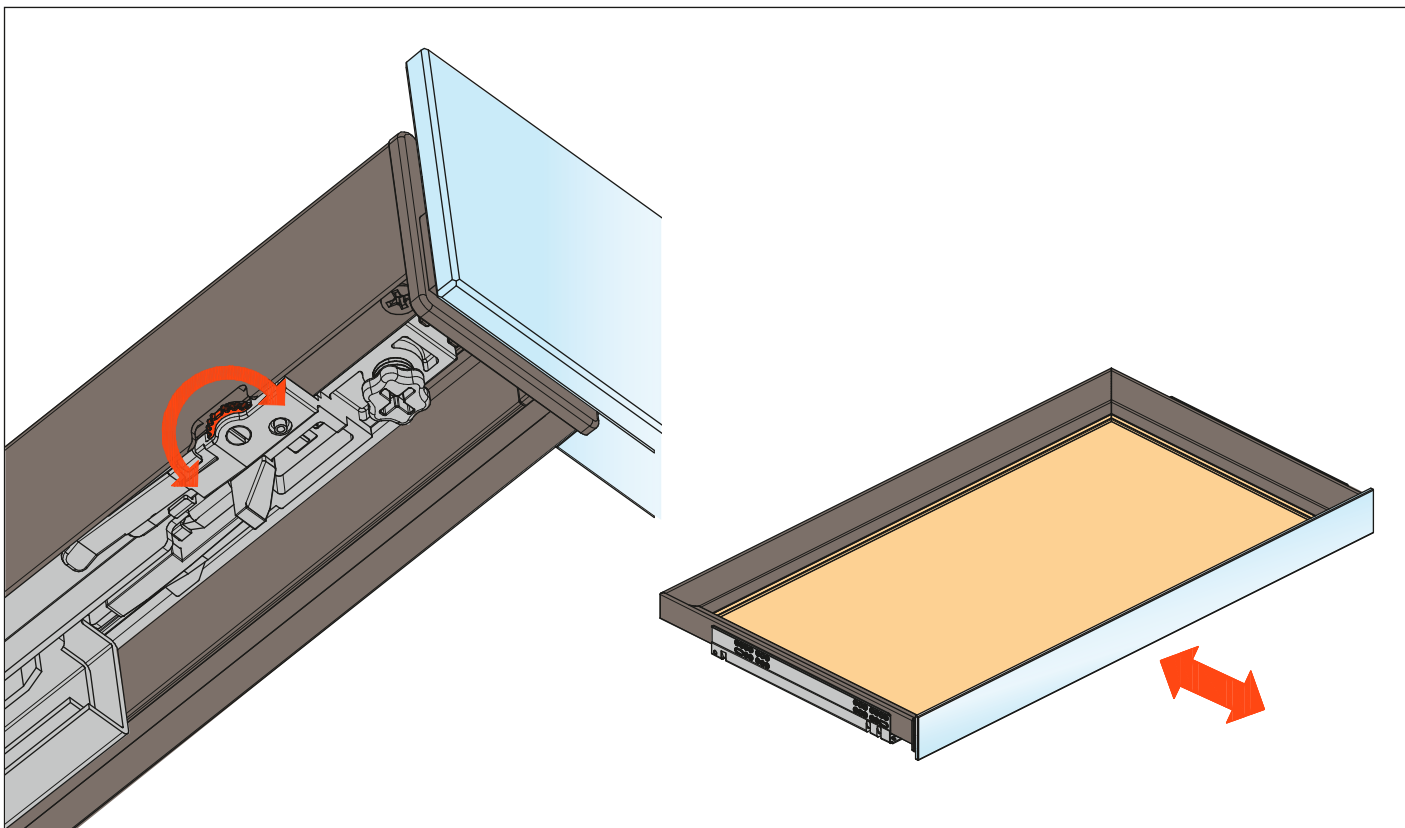
1. Open the drawer
2. Press down the lever indicated here below and pull out the drawer



Excessories - pull-out - adjustments

Depth adjustment +2 -2 mm

Rotate the wheel towards the front of the drawer to increase the gap between the front and the side.
Rotate the wheel towards the back of the drawer to reduce the gap between the front and the side.
This operation is tool free.



Height adjustment + 5 mm

Rotate the lever towards the front of the drawer for the height adjustment.
This operation is tool free.

