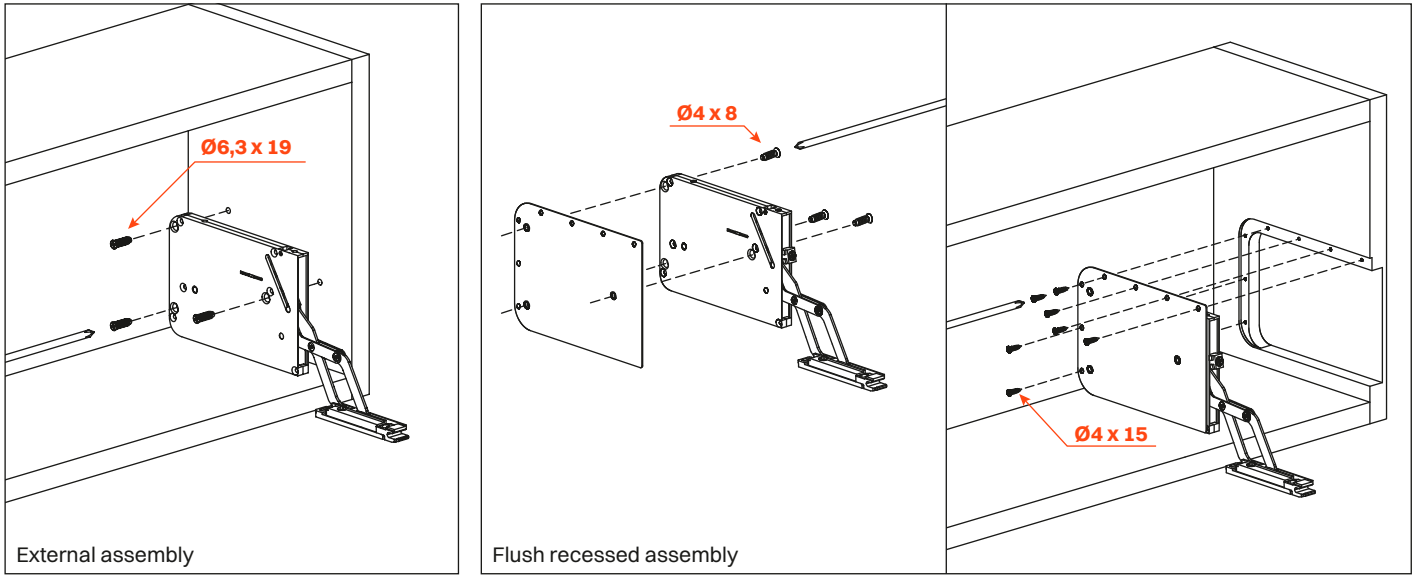


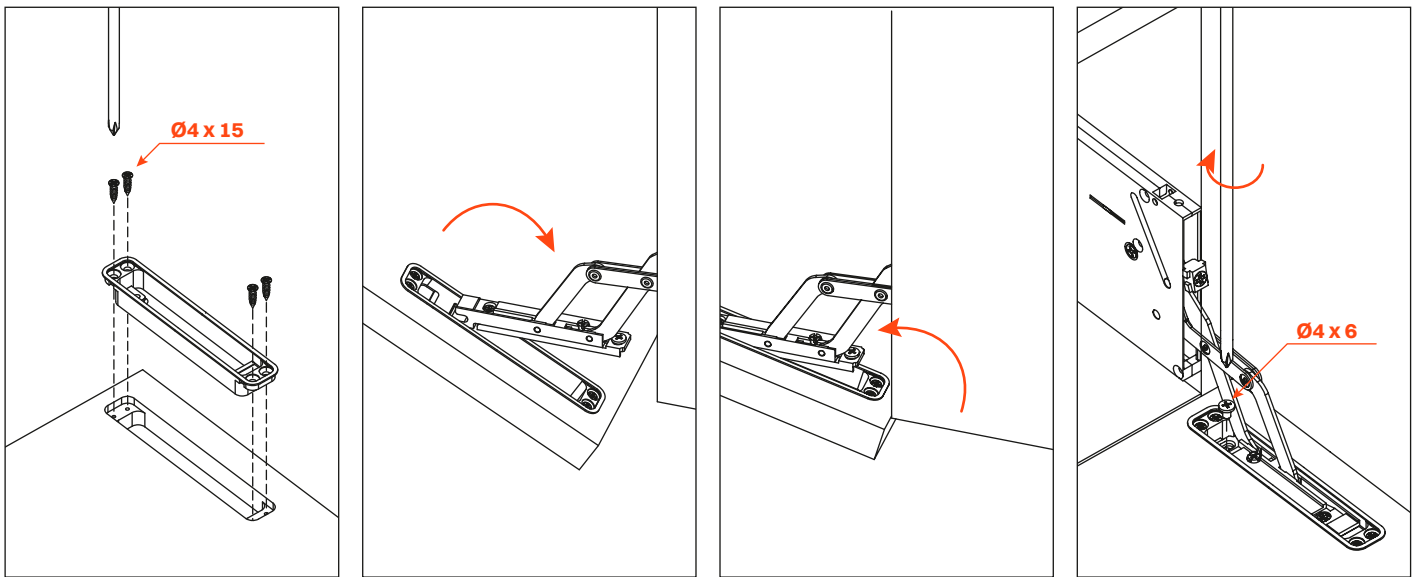
# Tilt Down

System for flap doors with downward opening

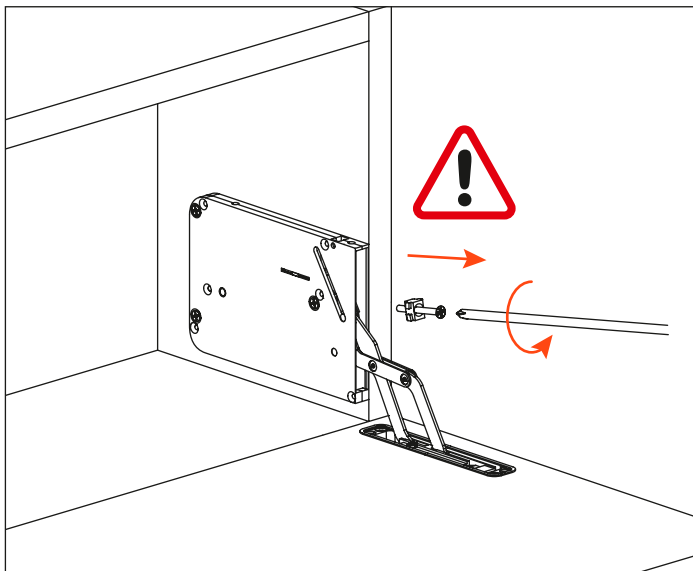
## Mechanism assembly



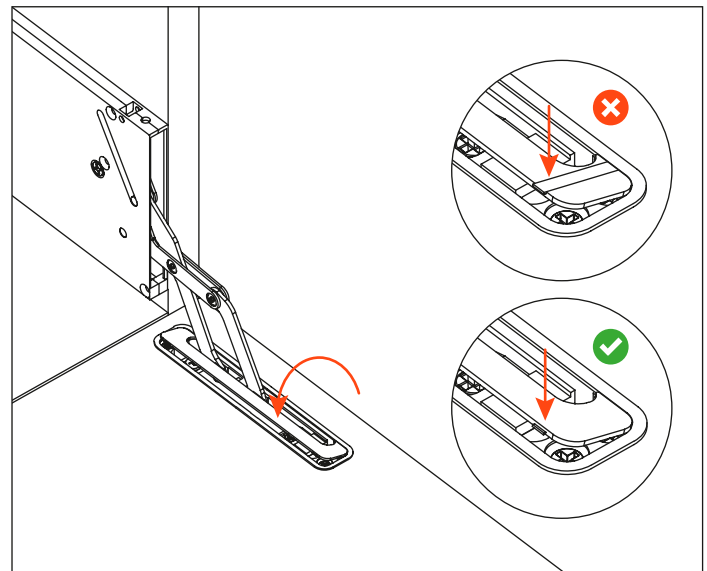
## Door fixing bracket fastening



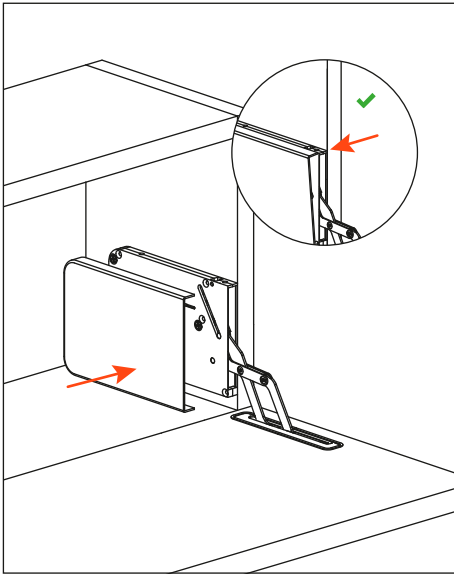
## Removal of the safety stop



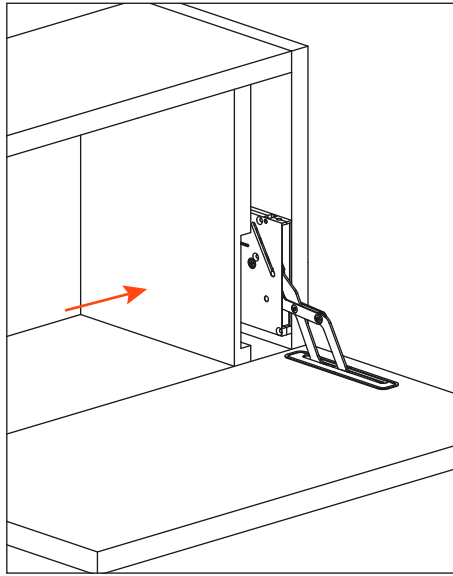
## Door fixing bracket cover fastening



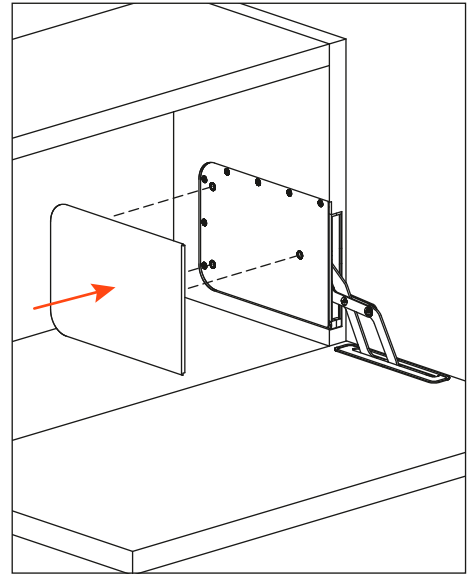
External cover assembly



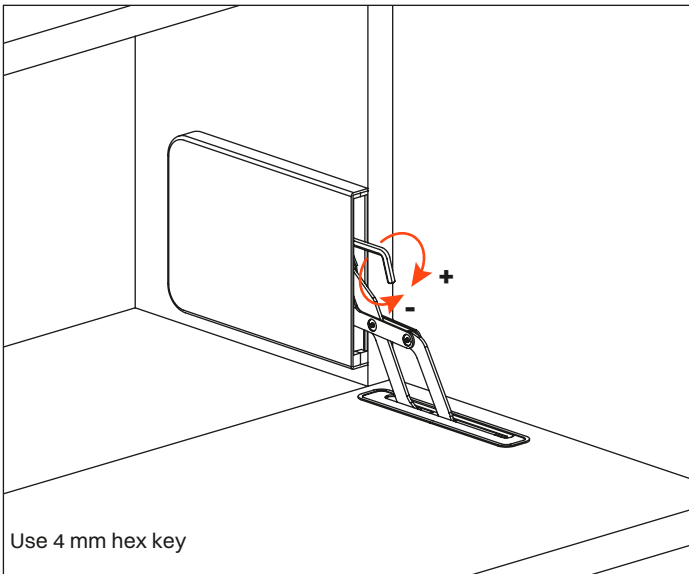
Counter side panel assembly



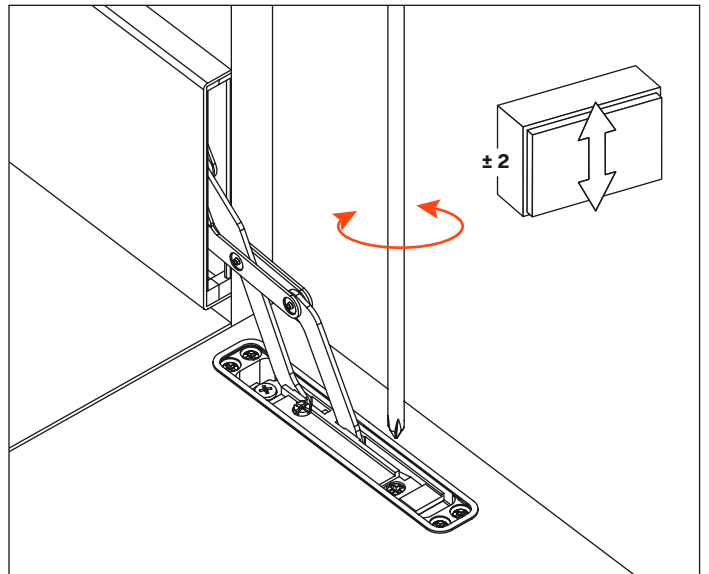
Flush cover assembly



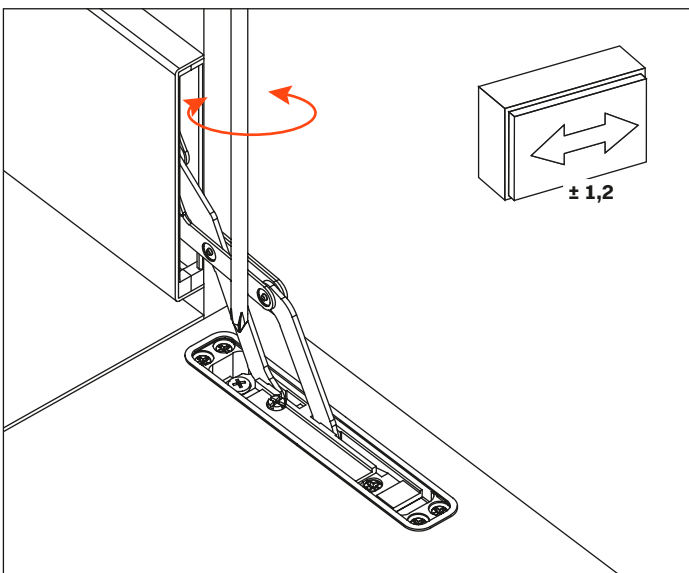
Opening strength adjustment



Height adjustment



Sideways adjustment



Depth adjustment

