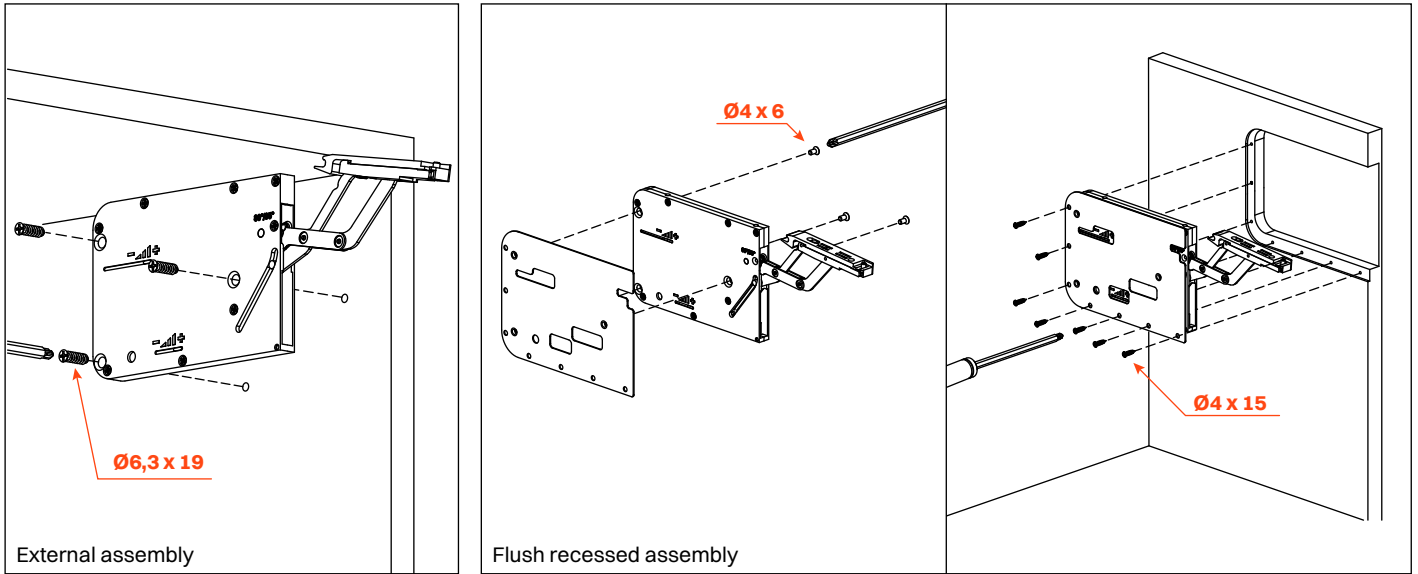


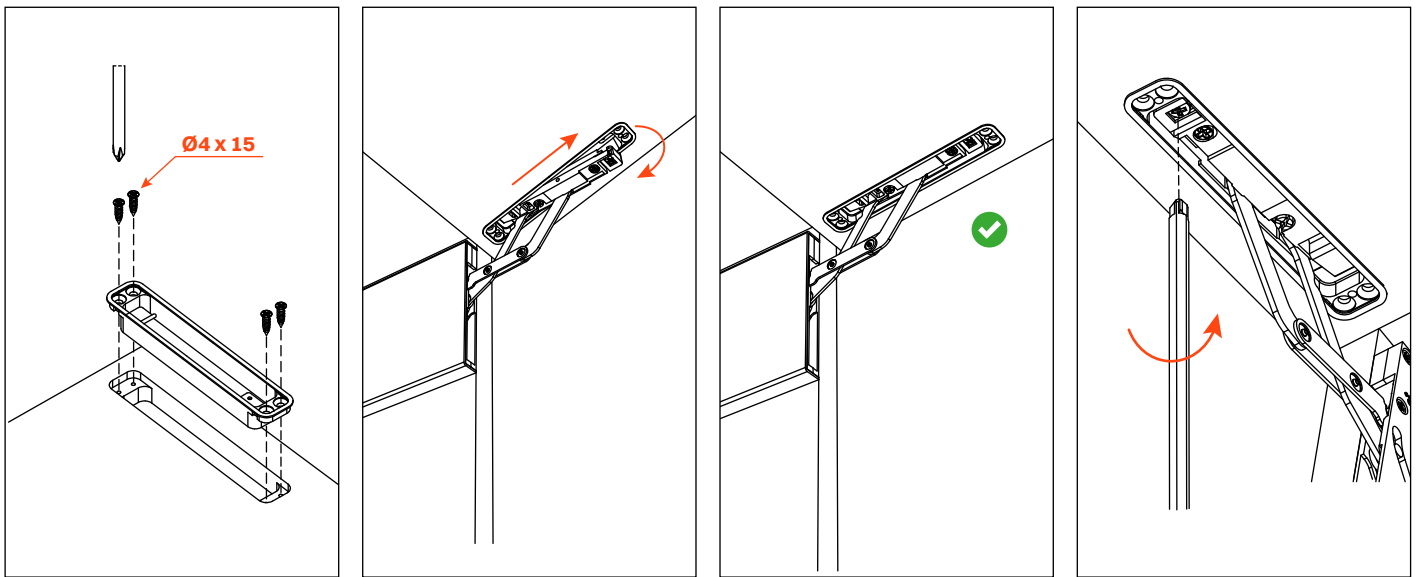
Tilt Up

System for flap doors with upward opening

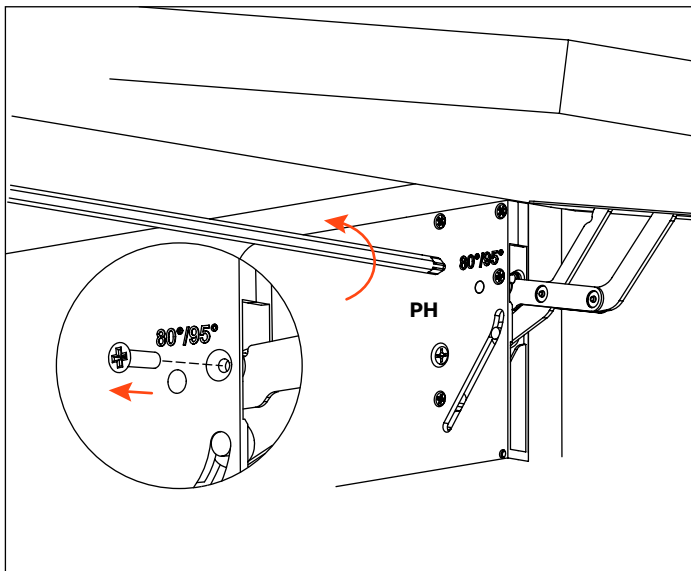
Mechanism assembly



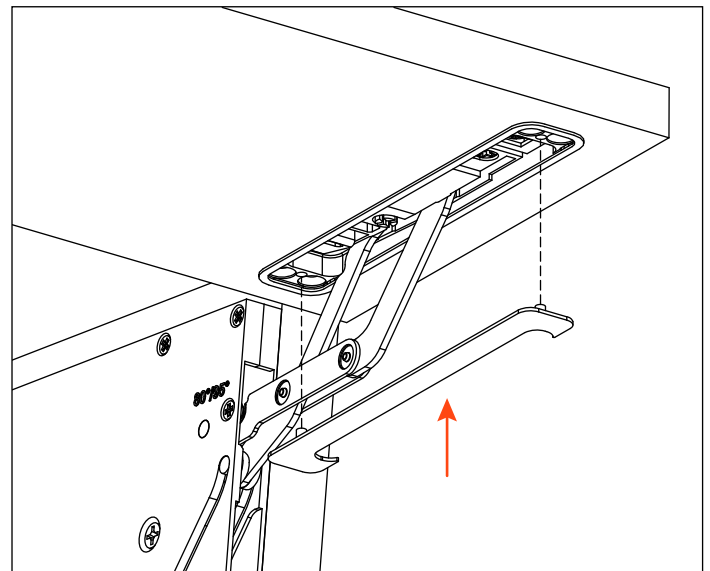
Door fixing bracket fastening



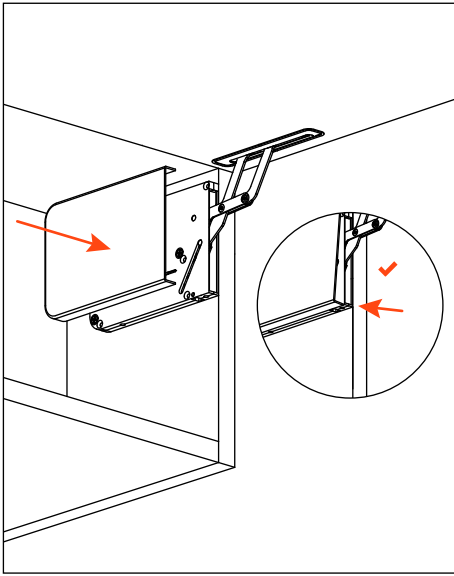
Removal of the 80° opening limiter



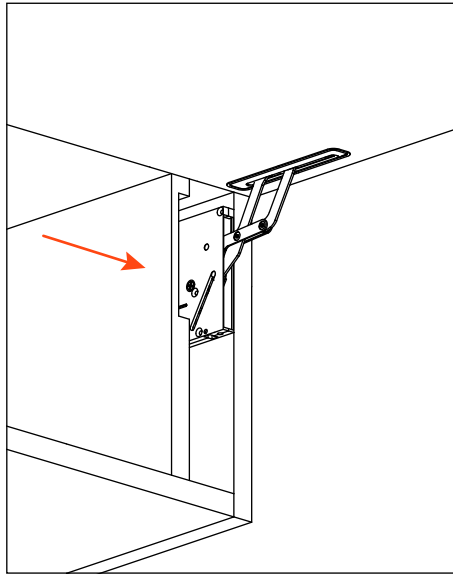
Door fixing bracket cover fastening



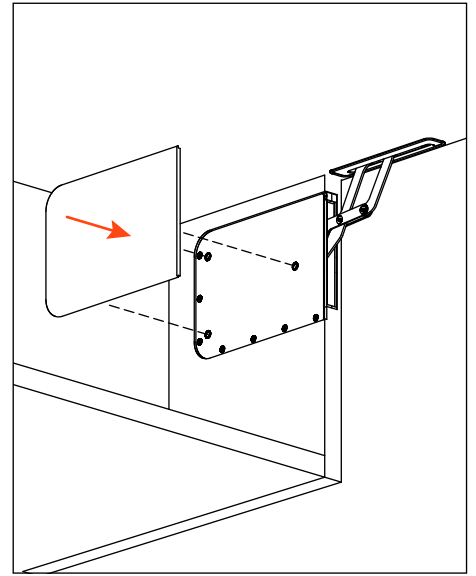
External cover assembly



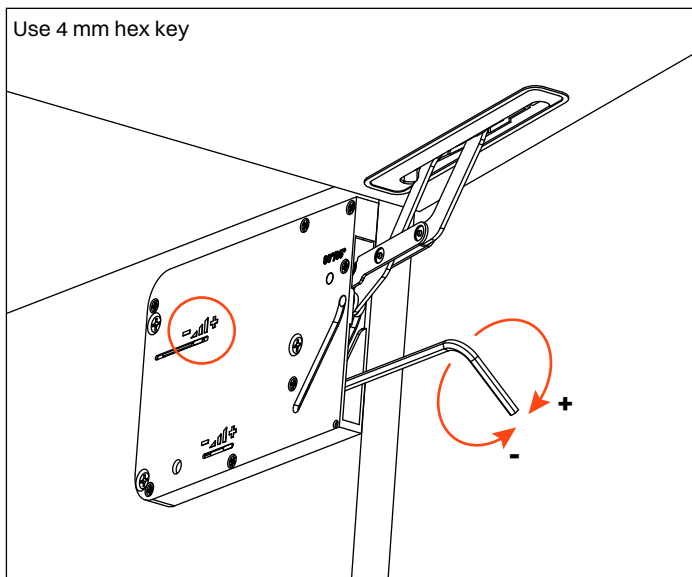
Counter side panel assembly



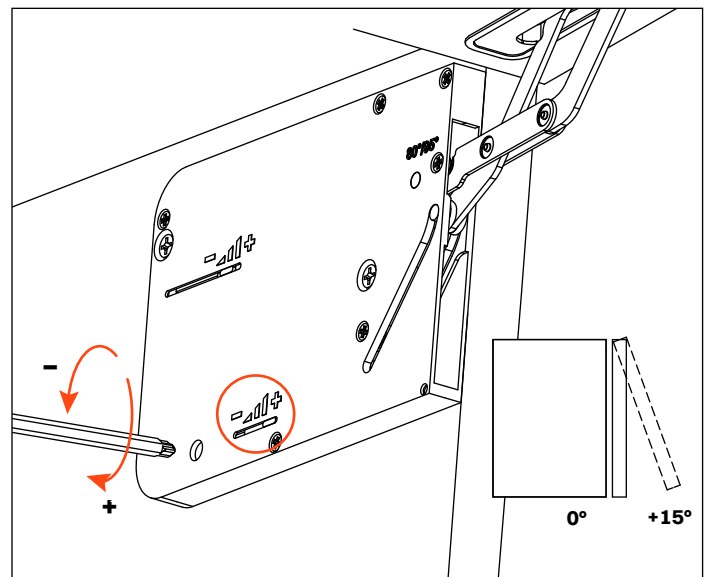
Flush cover assembly



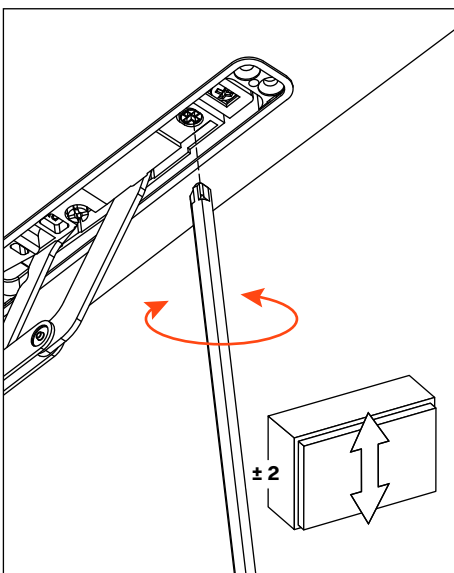
Spring adjustment



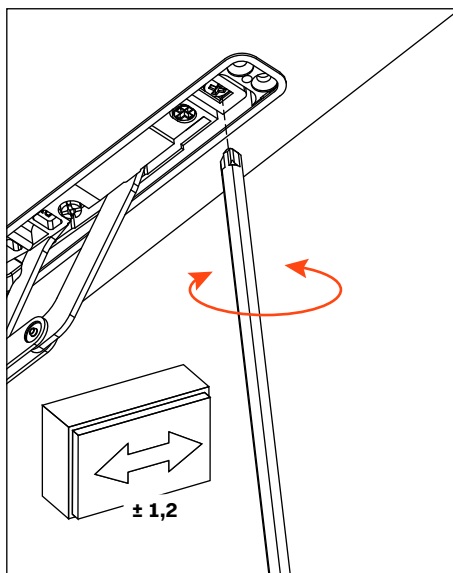
Decelerating force adjustment



Height adjustment



Sideways adjustment



Depth adjustment

