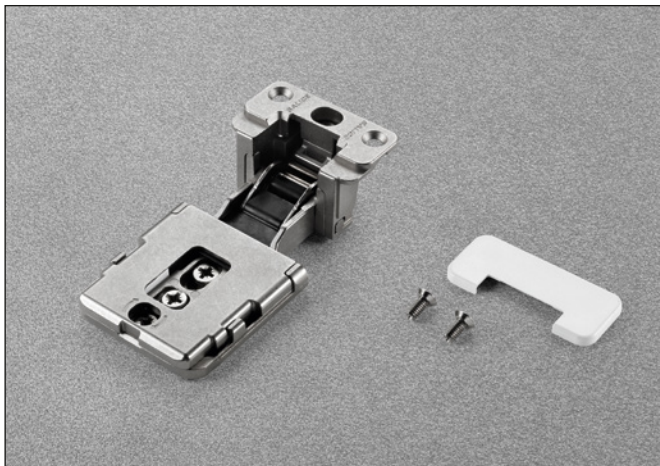


Conecta • Hinge for aluminium-framed doors

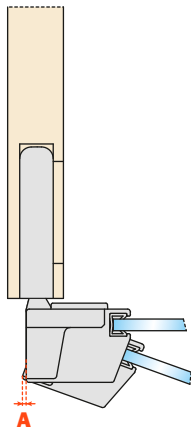


Technical features

Concealed Conecta CQZ3KE hinge with recessed insertion in the door and in the side

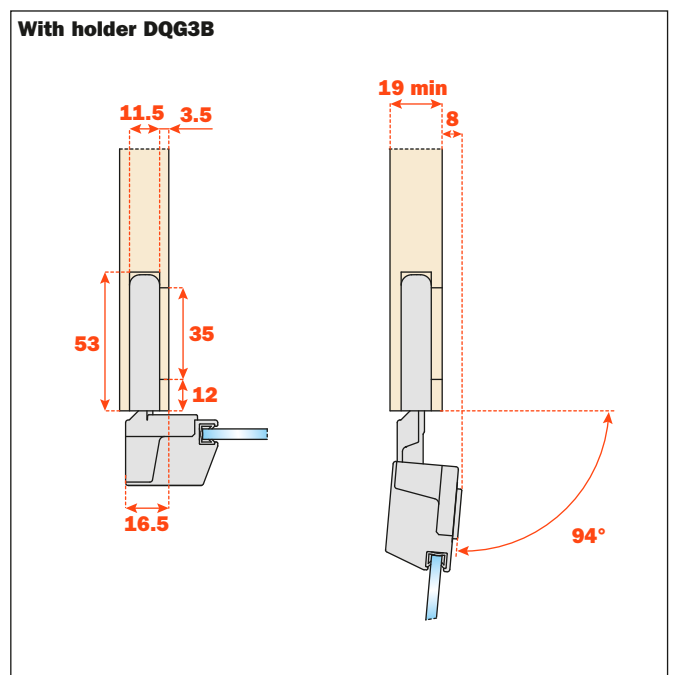
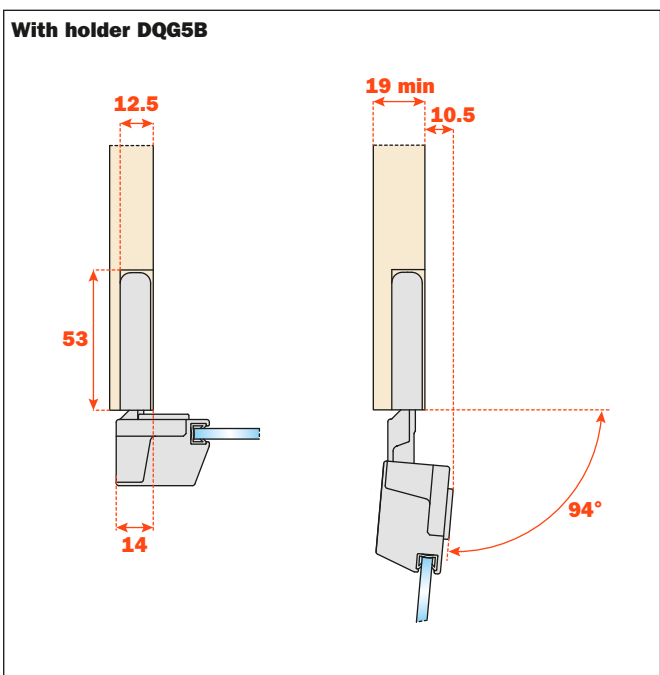
- Rapid fixing of the door to the cabinet side
- For aluminium-framed doors
- 24 mm deep metal cup
- L = 3,5 mm
- 94° opening

Space needed to open the door



T=	25	26	27	28	29	30
A=	2.4	3.3	4.2	5.2	6.1	7.1

Fixing into the side and projection of the door



Workings on door and cabinet

Holder DQG5B



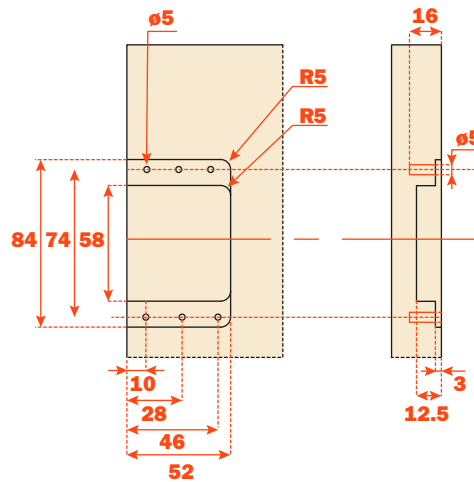
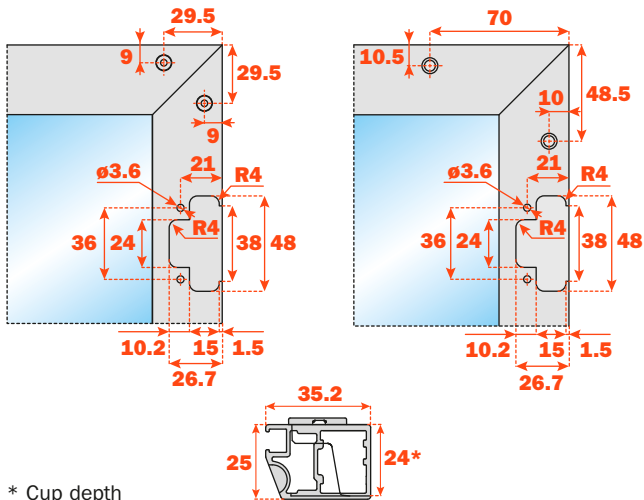
- For single door

To be screw-fixed to the cabinet side:

- For single door with Euro screws, drilling $\varnothing 5 \times 16$ mm
- Fixing screws and cover caps included in the single packing
- Fixing screws included in the industrial packing

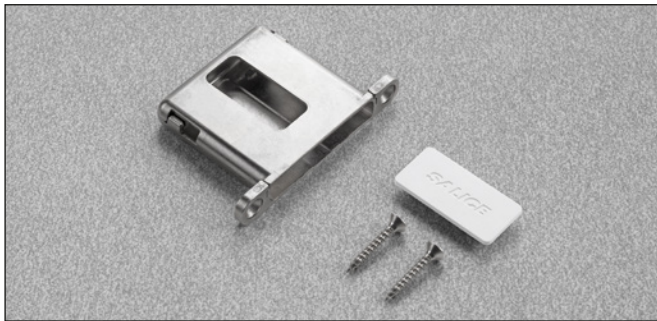
Drilling with corner connector
DQZ3HS5V04

Drilling with corner connector
DEL6BSFV02



* Cup depth

Holder DQG3B



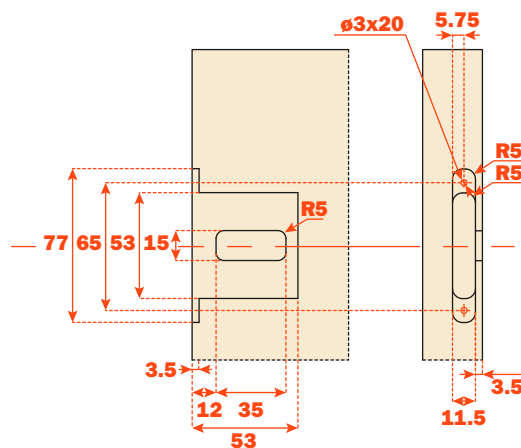
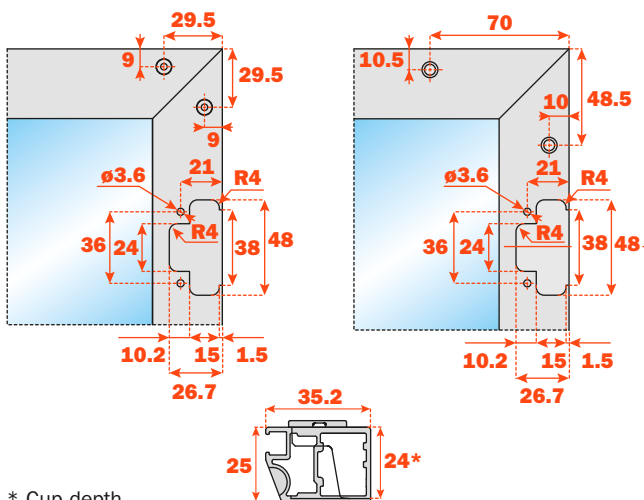
- For single door

To be screw-fixed to the cabinet side:

- For single door with screws $\varnothing 4 \times 25$ mm
- Fixing screws and cover caps included in the single packing
- Fixing screws included in the industrial packing

Drilling with corner connector
DQZ3HS5V04

Drilling with corner connector
DEL6BSFV02



* Cup depth