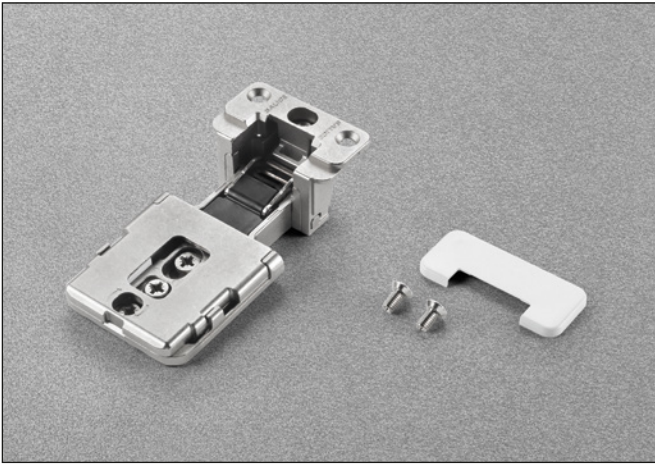


**Conecta • Hinge for aluminium-framed doors**

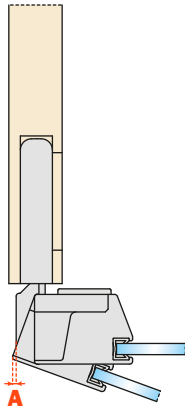


**Technical features**

**Concealed Conecta CQZ3JE hinge with recessed insertion in the door and in the side**

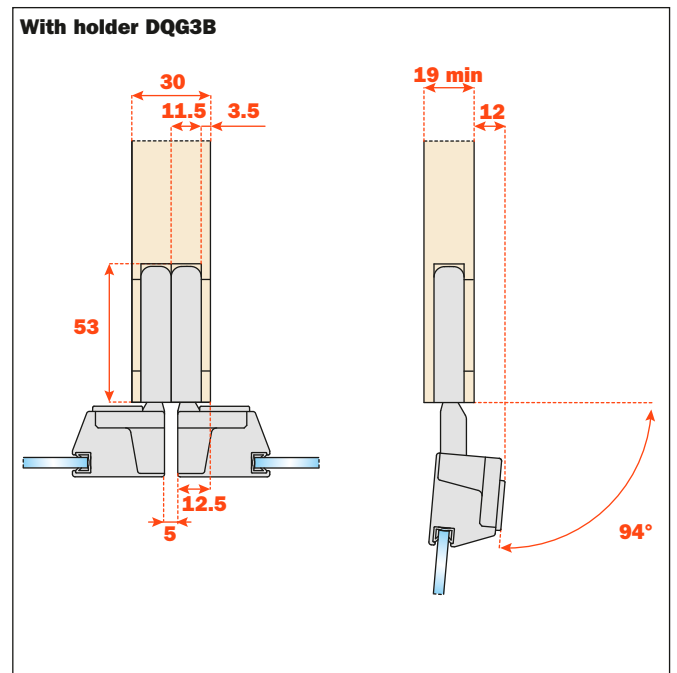
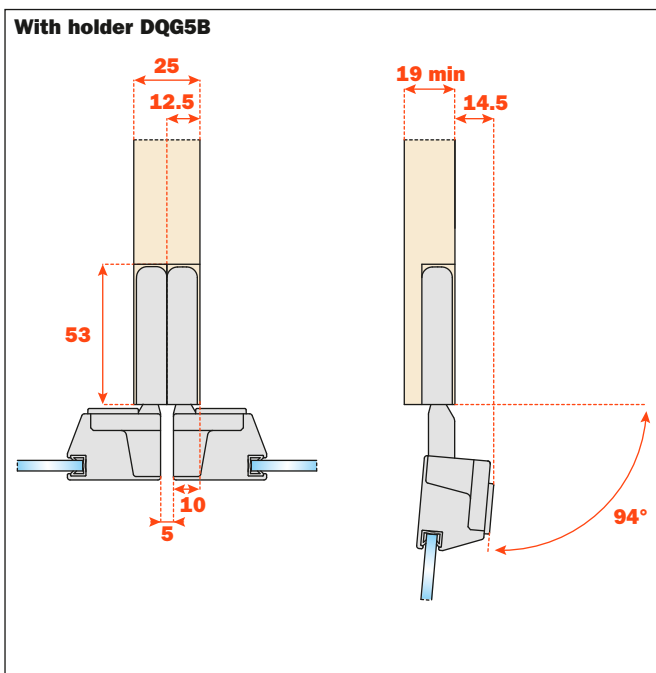
Rapid fixing of the door to the cabinet side  
 For aluminium-framed doors  
 24 mm deep metal cup  
 L = 3,5 mm  
 94° opening

**Space needed to open the door**



T=	25	26	27	28	29	30
A=	2.4	3.3	4.2	5.2	6.1	7.1

**Fixing into the side and projection of the door**



## Workings on door and cabinet

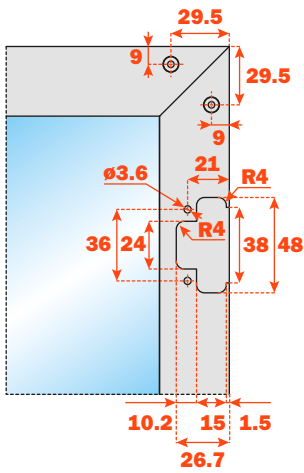
### Holder DQG5B



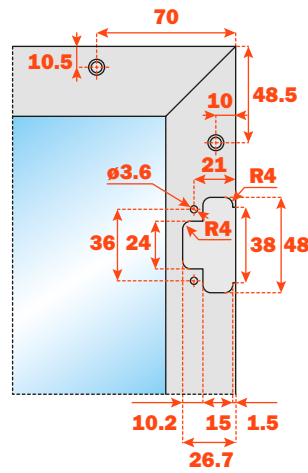
- For single door
- For double doors and side thickness 25 mm

To be screw-fixed to the cabinet side:

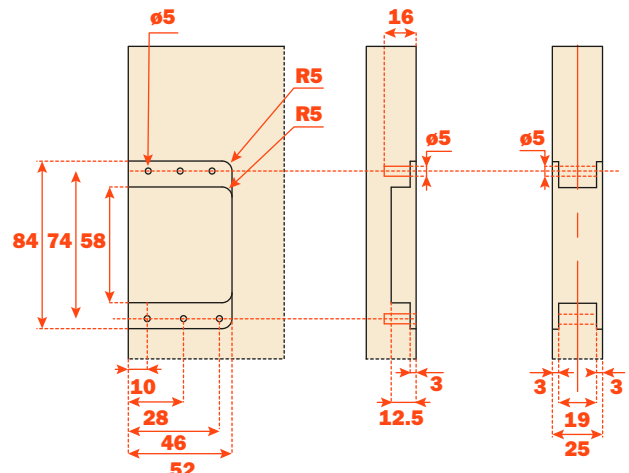
- For single door with Euroscrews, drilling  $\phi 5 \times 16$  mm
- For double doors with  $\phi 5$  mm interscrews
- Fixing screws and cover caps included in the single packing
- Fixing screws included in the industrial packing



Drilling with corner connector  
**DQZ3HS5V04**



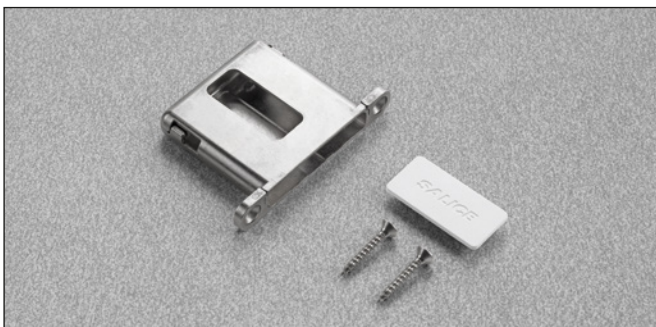
Drilling with corner connector  
**DEL6BSFV02**



Single door

Double doors

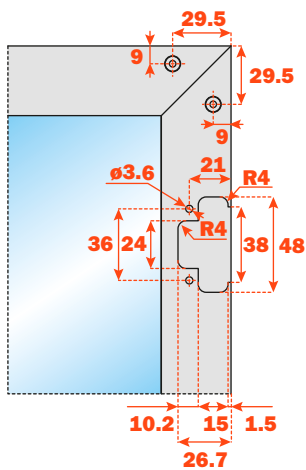
### Holder DQG3B



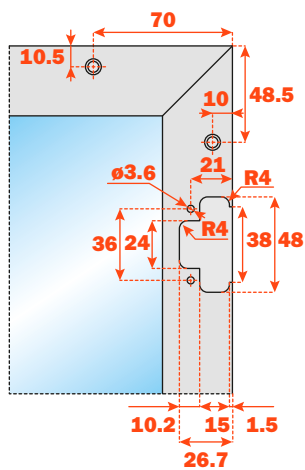
- For single door
- For double doors and side thickness 30 mm

To be screw-fixed to the cabinet side:

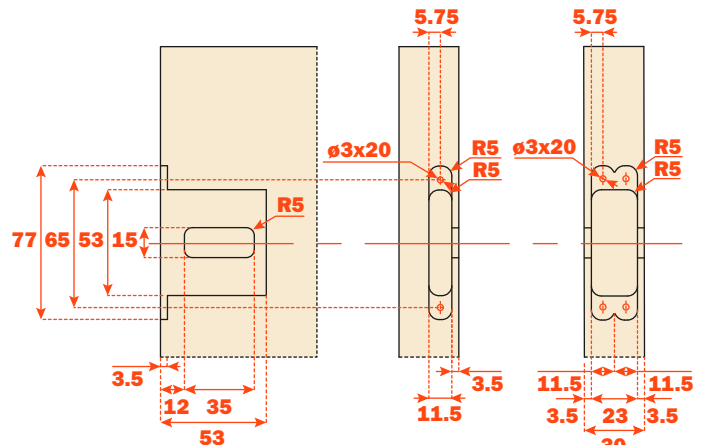
- For single door and for double doors with screws  $\phi 4 \times 25$  mm
- Fixing screws and cover caps included in the single packing
- Fixing screws included in the industrial packing



Drilling with corner connector  
**DQZ3HS5V04**



Drilling with corner connector  
**DEL6BSFV02**



Single door

Double doors