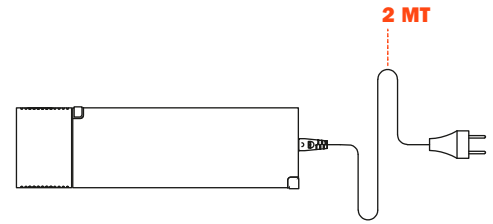


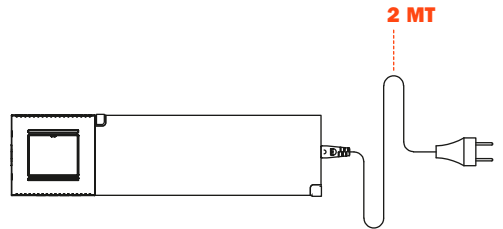
Electrical components

Transformers

Code number	Description
YE80EAMA101XXA	Transformer 120/240 24V 90W 8U. + cable UE (1/1)
YE80EAMA102XXA	Transformer 120/240 24V 90W 8U. + cable UK (1/1)
YE80EAMA103XXA	Transformer 120/240 24V 90W 8U. + cable US (1/1)
YE80EAMA104XXA	Transformer 120/240 24V 90W 8U. + cable CN (1/1)



Code number	Description
YE80EAMA121XXA	Transformer EDC 120/240 24V 90W 8U. + cable UE (1/1)
YE80EAMA122XXA	Transformer EDC 120/240 24V 90W 8U. + cable UK (1/1)
YE80EAMA123XXA	Transformer EDC 120/240 24V 90W 8U. + cable US (1/1)
YE80EAMA124XXA	Transformer EDC 120/240 24V 90W 8U. + cable CN (1/1)



Wireless controls

Code number	Wireless control
YE80EBXA001XXA	Wall mounted wireless control with dimmer function for light intensity and color temperature. It transforms the standard buttons in wireless control.



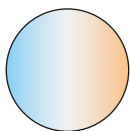
Code number	Wireless control
YE80EBXA102XXA	Wireless control with dimmer function for light intensity and color temperature.



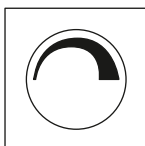
Code number	Wireless control
YE80EBXA003XXA	Recessed wireless touch control with dimmer function for light intensity and color temperature.



Code number	Wireless control
YE80EBXA104XXA	Wireless touch and PIR (Passive infrared) control with dimmer function for light intensity and color temperature.



EDC function (Emotion Dual Color): color temperature varies from "warm" to "natural"



Dimmer function



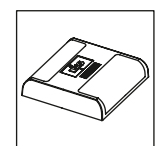
Range: 15 m internal area



Battery type: CR2450



Estimated battery life: 3 years

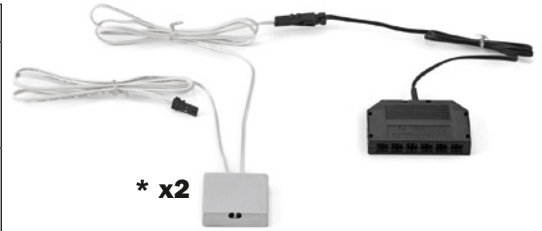


* Compatible with transformer with wireless control receiver

Excessories - shelves - electrical components

Sensors

Code Number	IR (Infrared) sensor surface mounted for doors
YE80EBXA020XXA	MAX. 60W - 24 VDC - MAX. 2,5A - 1 door
YE80EBXA021XXA	MAX. 60W - 24 VDC - MAX. 2,5A - 2 doors*



Code Number	Sensor
YE80EBMA123XXA	IR DOOR TUBE - White - 1 door
YE80EBMA124XXA	IR DOOR TUBE - Black - 1 door



Code Number	Sensor
YE80EBMA125XXA	IR DOOR TUBE - White - 2 doors*
YE80EBMA126XXA	IR DOOR TUBE - Black - 2 doors*



Code Number	Sensor
YE80EMMA101XXA	WIRED module for proximity and movement sensors. One module is controlled by a sensor and has 4 outputs



Code Number	Sensor
YE80EBMA121XXA	PIR sensor on 2 metre long cable Mono 24 V DC 4 Max 5 A total, max 3 A/output

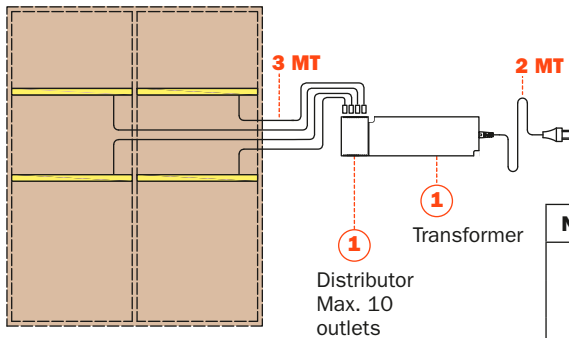


Code Number	Sensor
YE80EBMA122XXA	IR Infrared sensor on 2 metre long cable Mono 24 V DC 4 Max 5 A total, max 3 A/output



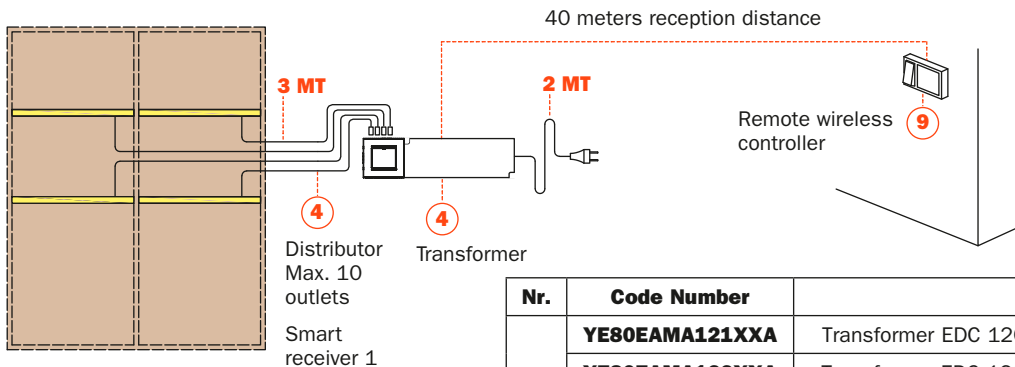
Application examples

Activation by domestic switch



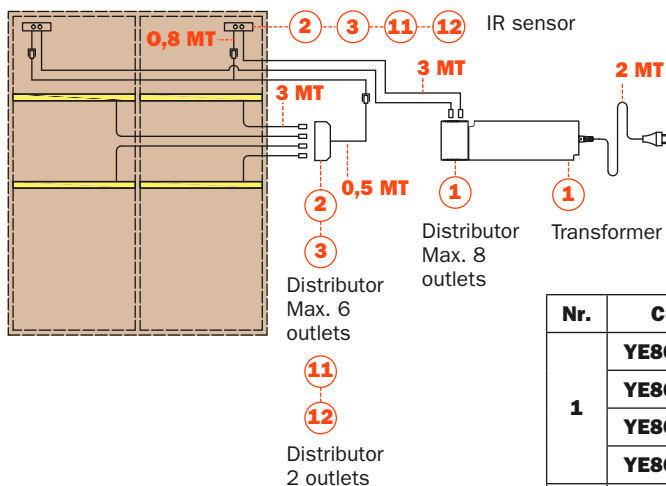
Nr.	Code Number	Description
1	YE80EAMA101XXA	Transformer 120/240 24V 90W 8U. + cable UE (1/1)
	YE80EAMA102XXA	Transformer 120/240 24V 90W 8U. + cable UK (1/1)
	YE80EAMA103XXA	Transformer 120/240 24V 90W 8U. + cable US (1/1)
	YE80EAMA104XXA	Transformer 120/240 24V 90W 8U. + cable CN (1/1)

Activation by smart switch controller



Nr.	Code Number	Description
4	YE80EAMA121XXA	Transformer EDC 120/240 24V 90W 8U. + cable UE (1/1)
	YE80EAMA122XXA	Transformer EDC 120/240 24V 90W 8U. + cable UK (1/1)
	YE80EAMA123XXA	Transformer EDC 120/240 24V 90W 8U. + cable US (1/1)
	YE80EAMA124XXA	Transformer EDC 120/240 24V 90W 8U. + cable CN (1/1)
9	YE80EBXA001XXA	Remote wireless control (1/1)

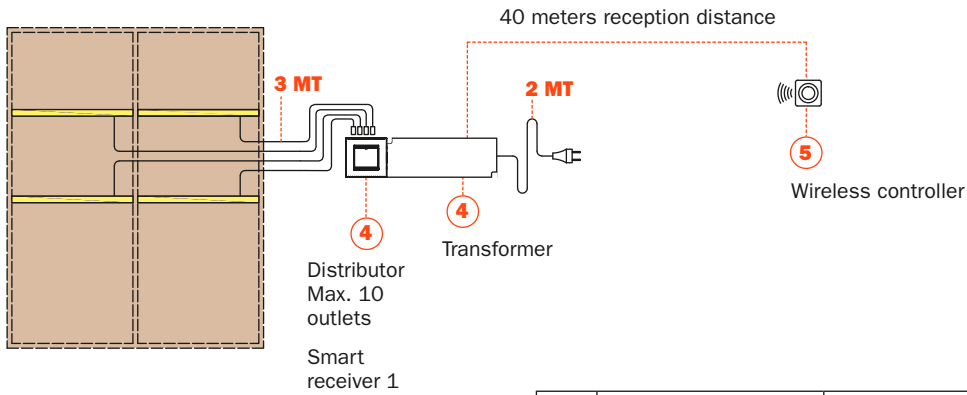
Activation with 1 or 2 IR sensors - Surface mounted/Recessed



Nr.	Code Number	Description
1	YE80EAMA101XXA	Transformer 120/240 24V 90W 8U. + cable UE (1/1)
	YE80EAMA102XXA	Transformer 120/240 24V 90W 8U. + cable UK (1/1)
	YE80EAMA103XXA	Transformer 120/240 24V 90W 8U. + cable US (1/1)
	YE80EAMA104XXA	Transformer 120/240 24V 90W 8U. + cable CN (1/1)
2	YE80EBXA020XXA	IR sensor surface mounted for 1 door (1/1)
3	YE80EBXA021XXA	IR sensor surface mounted for 2 doors (1/1)
11	YE80EBMA123XXA	IR DOOR TUBE - White - 1 door
	YE80EBMA124XXA	IR DOOR TUBE - Black - 1 door
12	YE80EBMA125XXA	IR DOOR TUBE - White - 2 doors
	YE80EBMA126XXA	IR DOOR TUBE - Black - 2 doors

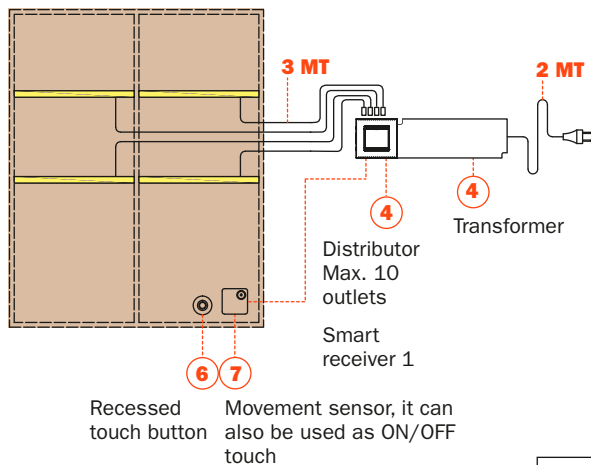
Excessories - shelves - aluminum frame - application examples

Activation with 1 smart controller



Nr.	Code Number	Description
4	YE80EAMA121XXA	Transformer EDC 120/240 24V 90W 8U. + cable UE (1/1)
	YE80EAMA122XXA	Transformer EDC 120/240 24V 90W 8U. + cable UK (1/1)
	YE80EAMA123XXA	Transformer EDC 120/240 24V 90W 8U. + cable US (1/1)
	YE80EAMA124XXA	Transformer EDC 120/240 24V 90W 8U. + cable CN (1/1)
5	YE80EBXA102XXA	On/off wireless controller + Dimmer (1/1)

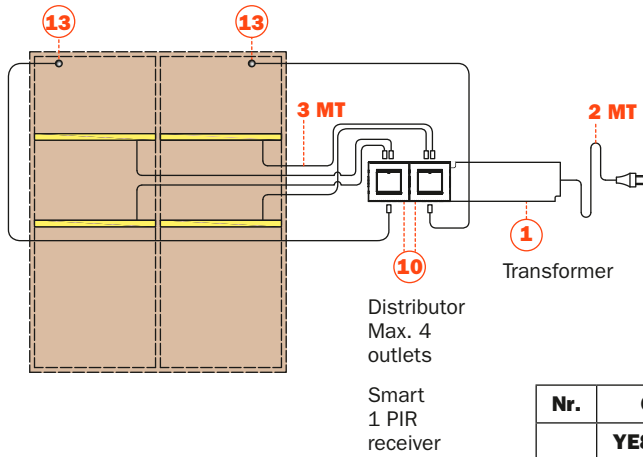
Activation with 1 smart touch or smart sensor controller



Nr.	Code Number	Description
4	YE80EAMA121XXA	Transformer EDC 120/240 24V 90W 8U. + cable UE (1/1)
	YE80EAMA122XXA	Transformer EDC 120/240 24V 90W 8U. + cable UK (1/1)
	YE80EAMA123XXA	Transformer EDC 120/240 24V 90W 8U. + cable US (1/1)
	YE80EAMA124XXA	Transformer EDC 120/240 24V 90W 8U. + cable CN (1/1)
6	YE80EBXA003XXA	On/off recessed wireless controller + Dimmer (1/1)
7	YE80EBXA104XXA	On/off IR sensor + Dimmer (1/1)

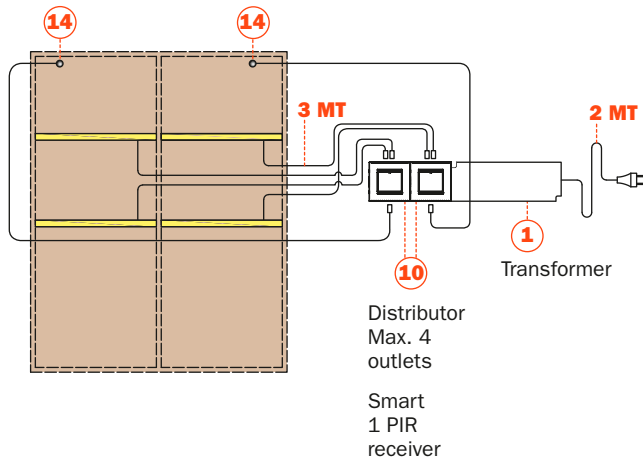
Application examples

Activation with Smart 1 PIR controller



Nr.	Code Number	Description
1	YE80EAMA121XXA	Transformer 120/240 24V 90W 8U. + cable UE (1/1)
	YE80EAMA122XXA	Transformer 120/240 24V 90W 8U. + cable UK (1/1)
	YE80EAMA123XXA	Transformer 120/240 24V 90W 8U. + cable US (1/1)
	YE80EAMA124XXA	Transformer 120/240 24V 90W 8U. + cable CN (1/1)
10	YE80EMMA101XXA	WIRED module for proximity and movement sensors
13	YE80EBMA121XXA	PIR presence sensor on 2 metre long cable

Activation with Smart 1 IR controller



Nr.	Code Number	Description
1	YE80EAMA121XXA	Transformer 120/240 24V 90W 8U. + cable UE (1/1)
	YE80EAMA122XXA	Transformer 120/240 24V 90W 8U. + cable UK (1/1)
	YE80EAMA123XXA	Transformer 120/240 24V 90W 8U. + cable US (1/1)
	YE80EAMA124XXA	Transformer 120/240 24V 90W 8U. + cable CN (1/1)
10	YE80EMMA101XXA	WIRED module for proximity and movement sensors
14	YE80EBMA122XXA	IR Infrared sensor on 2 metre long cable