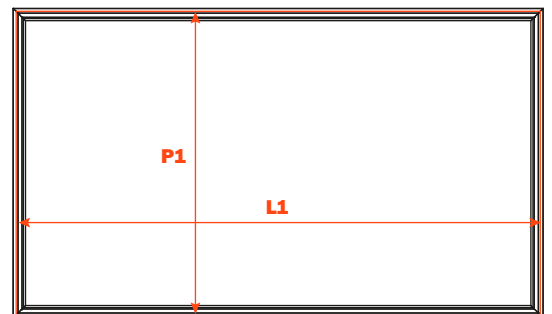
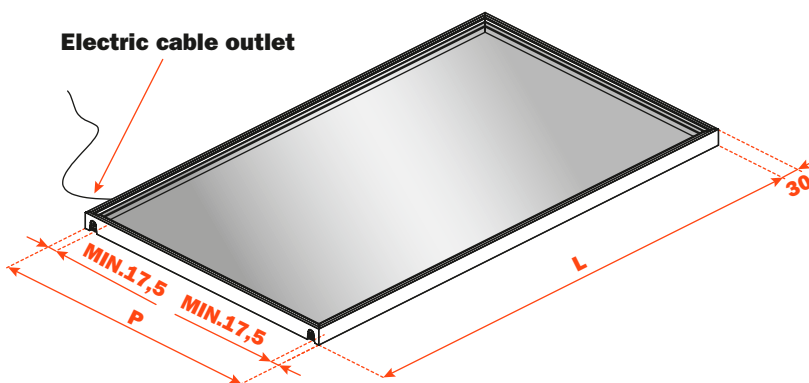
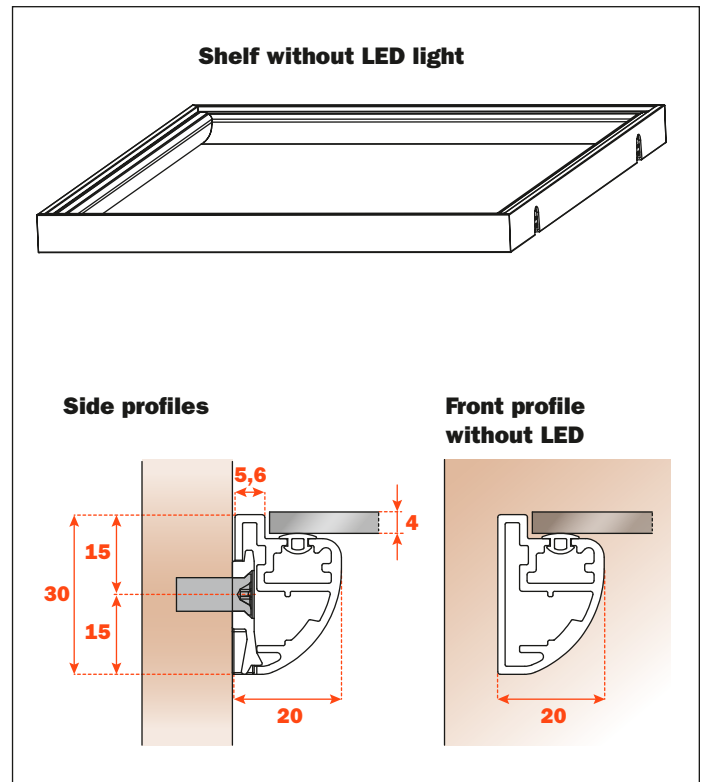
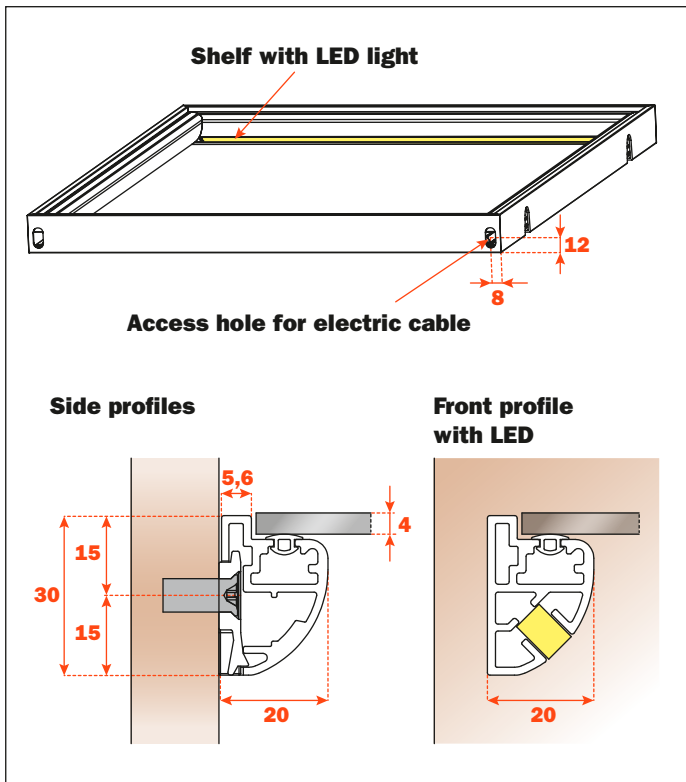


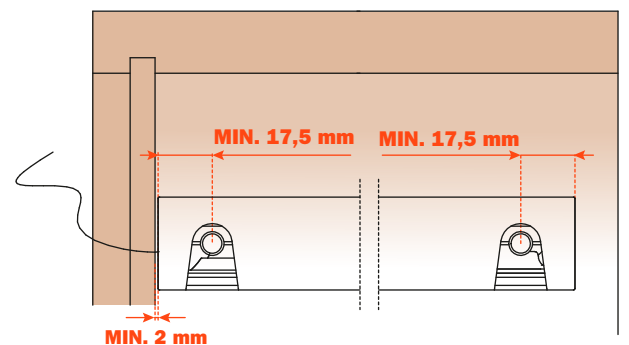
Excessories - shelves - aluminium frame H 30 mm

Shelf with aluminium frame

- Profile height: 30 mm
- Material: epoxy-coated aluminium
- Finish: metal grey brown
- Max. width: 1500 mm
- Fixing: side fixed with slide and lock device
- Complete with gasket to hold glass inlay in position
- Glass not supplied
- Available without LED light or with 3000K/4000K Dual colour, 24V LED light
- Available white or smoky grey covers for LED
- 3 metre extension cable included
- Custom made to order by specifying width (L) and depth (P)
- Consumption: 13W/M

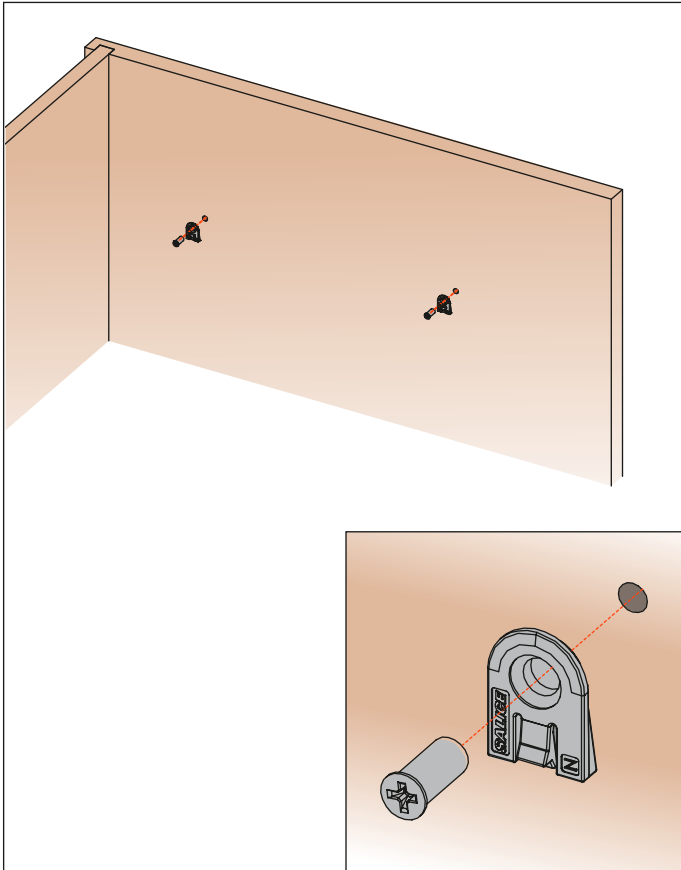


Internal width (L1) mm	Internal depth (P1) mm
L - 13	P - 13

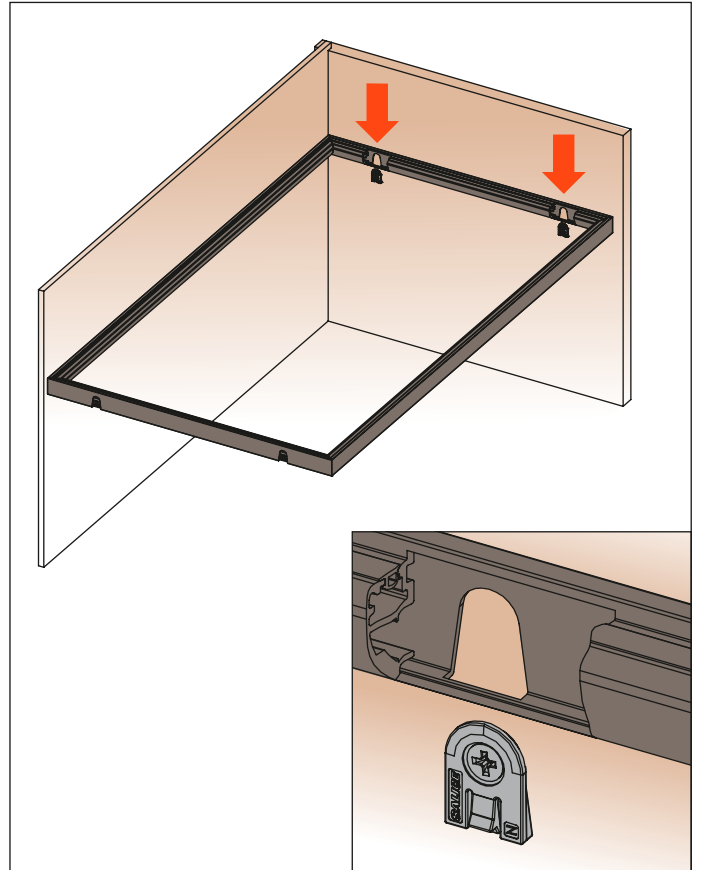


Assembly instructions

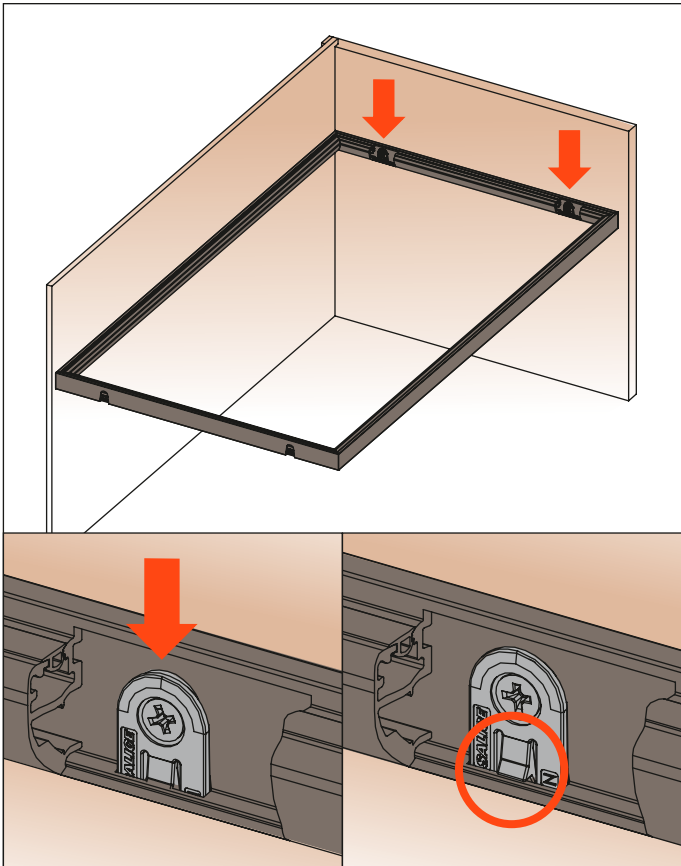
1. Screw-fix the supports to the cabinet side



2. Place the shelf onto the supports



3. Press down firmly to lock the shelf in position



4. Use a screwdriver here to release the shelf

