

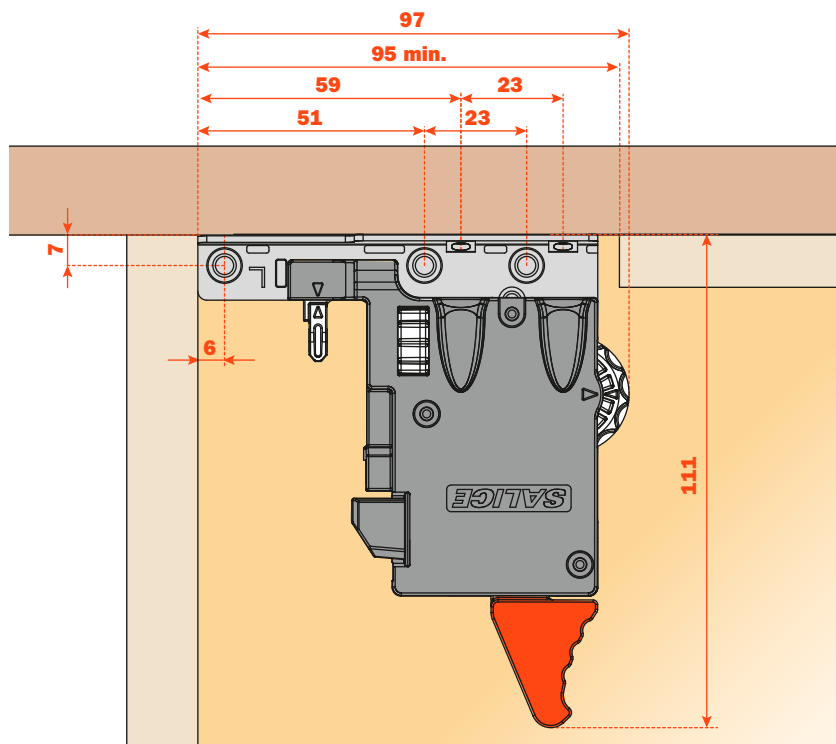
F70 Clips

Locking devices

F70 - Clips - Locking devices

- For all F70 runner versions
- Material: plastic and steel
- Integrated tool-free side and depth adjustments
- Recommended pre-drilling \varnothing 2.5 mm
- Mounts to the bottom or to the drawer front

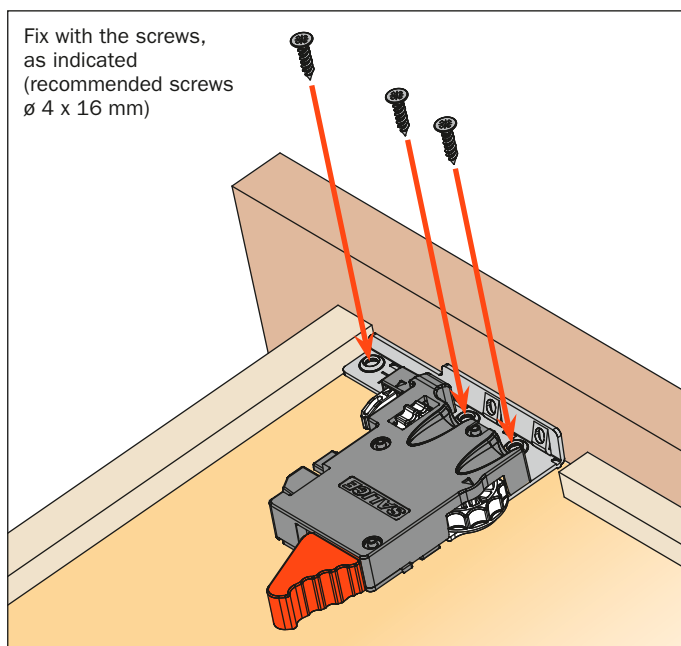
Clip dimension and drilling position



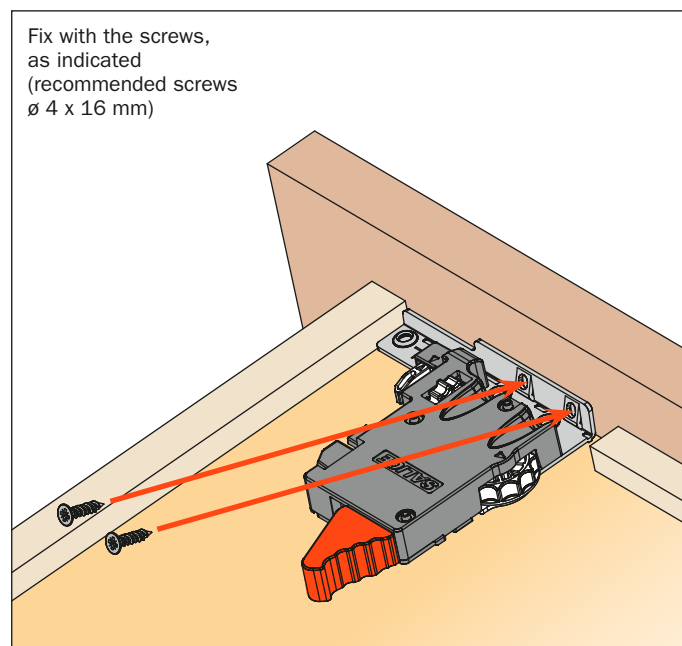
AFCGXX3B
Right and left clip with integrated adjustments

PACKAGING
2 BOXES = 100 right pcs. and 100 left pcs.

Assembly to the drawer bottom



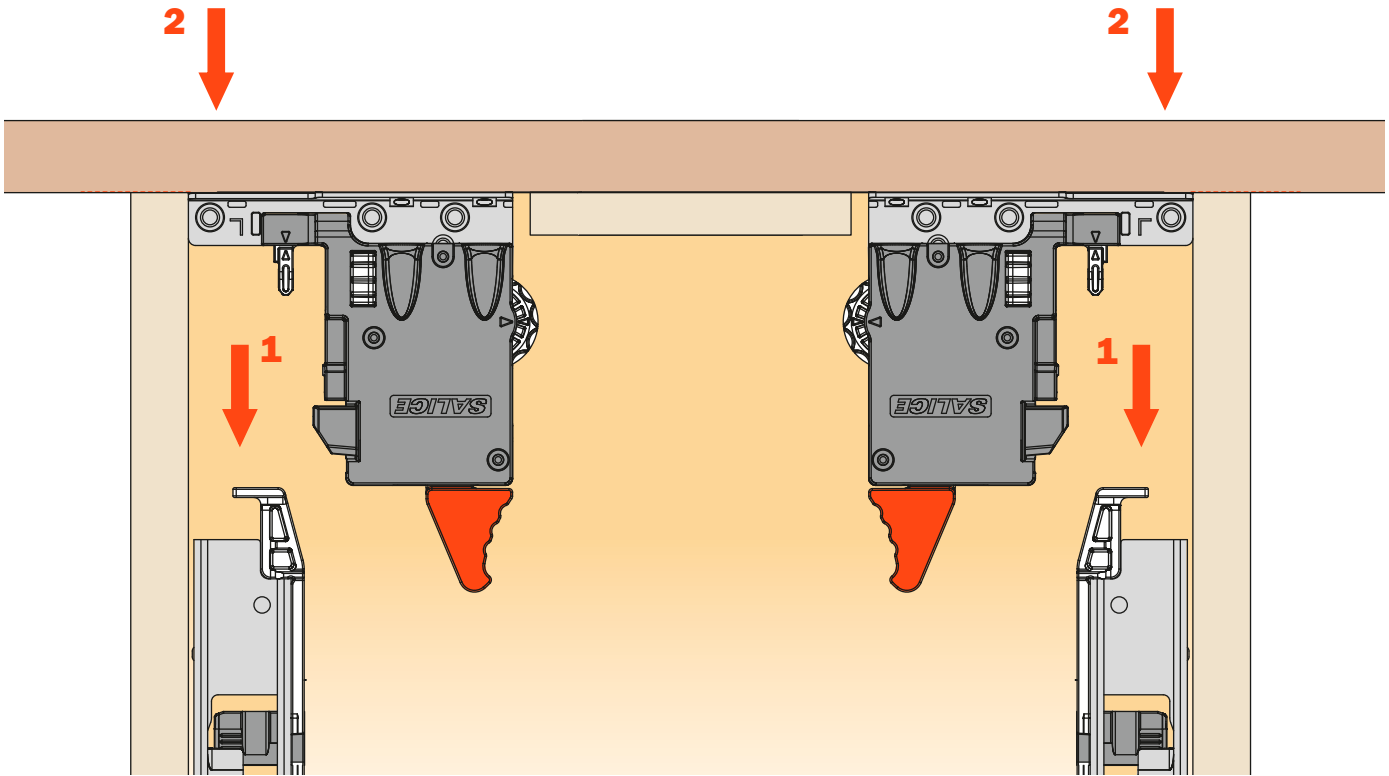
Assembly to the drawer front



It is recommended to pre-drill the bottom or the front using the **SGD704UGXA drilling template**, see page 35.

Drawer assembly

Place the drawer on the runners and push forward until completely closed



Drawer removal

Position hands under the front of the drawer and press on the orange levers, as indicated in the drawing, sliding the drawer out of the cabinet.

