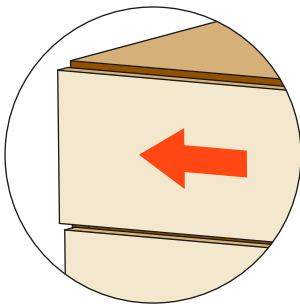
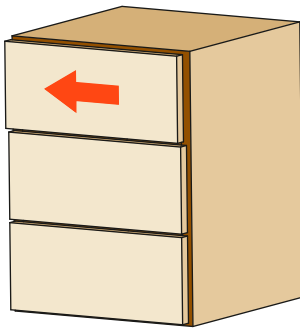


F70

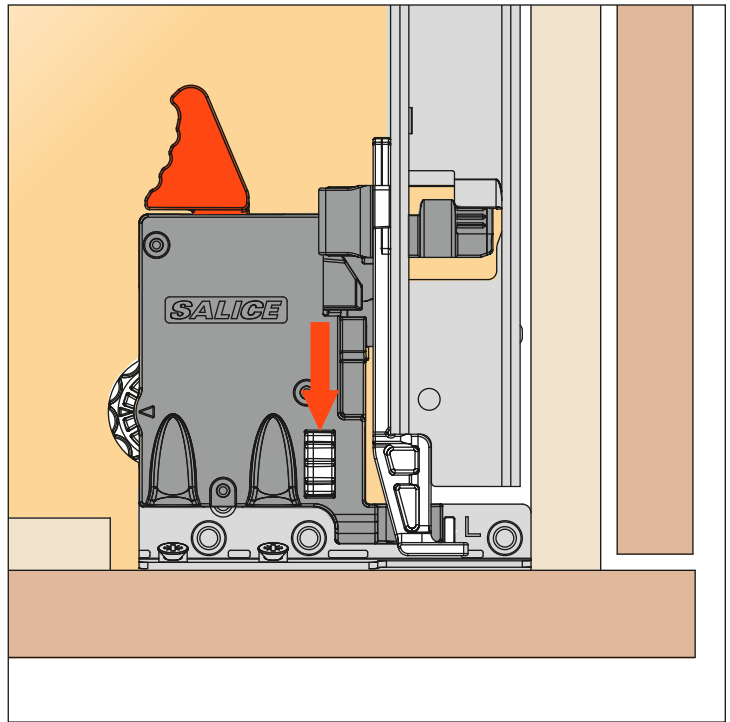
Adjustments

Sideways adjustment +/- 1,5 mm

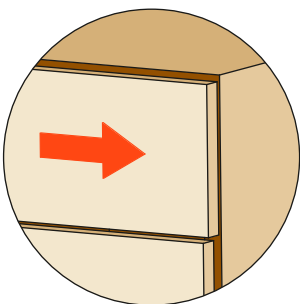
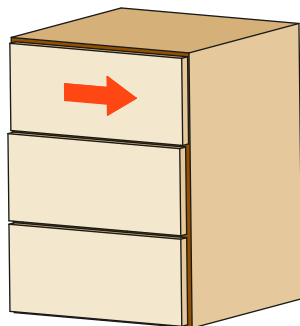
Rotate the white wheel towards the drawer frontal to adjust left.
This operation is tool free.



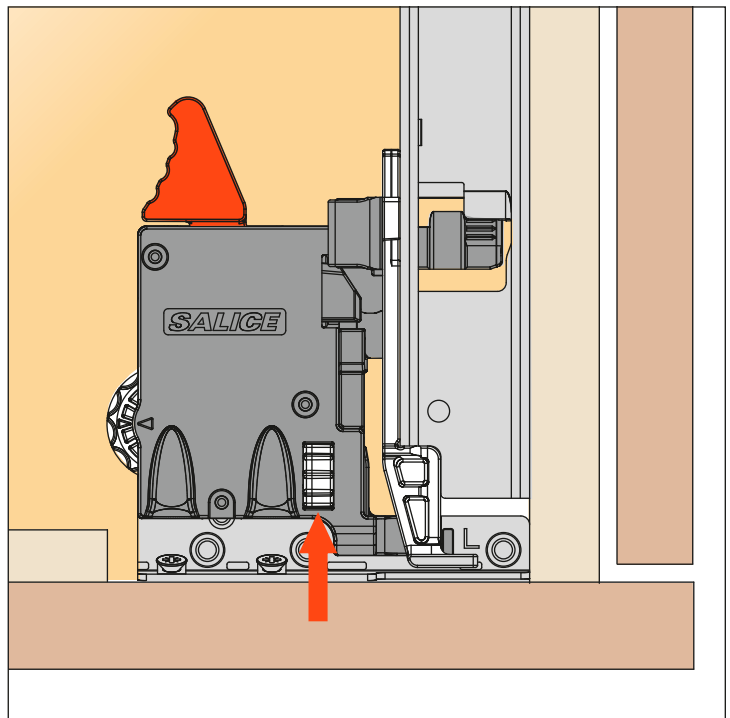
1.5 mm



Rotate the white wheel towards the back of the drawer to adjust right.
This operation is tool free.



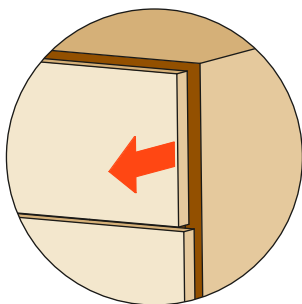
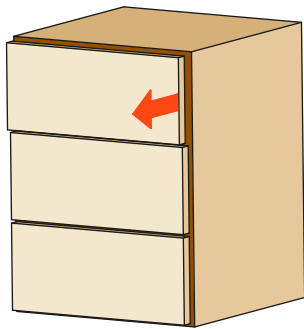
1.5 mm



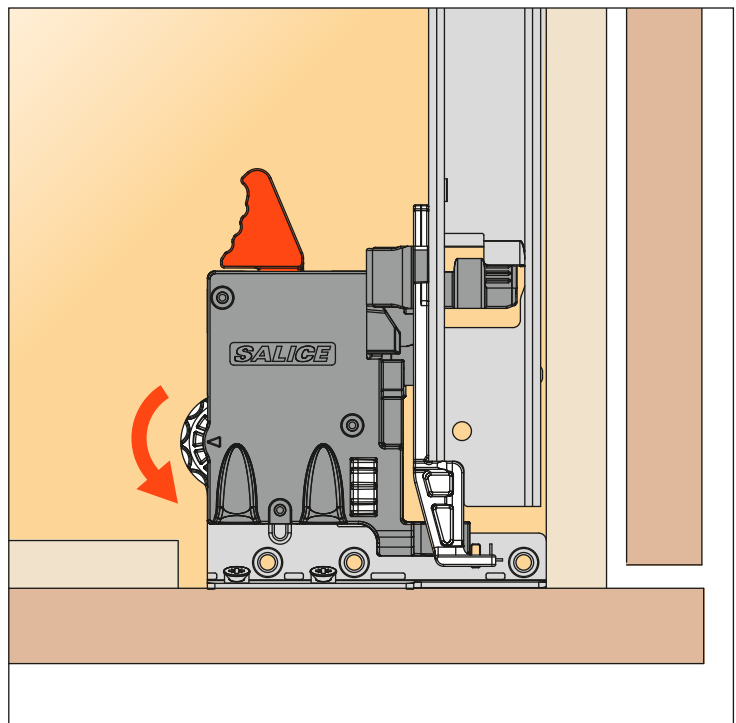
For sideways adjustment, it is recommended that the adjusters on the clips are operated in the same direction, in order to maintain the correct alignment and movement of the runners.

Depth adjustment +/- 3 mm

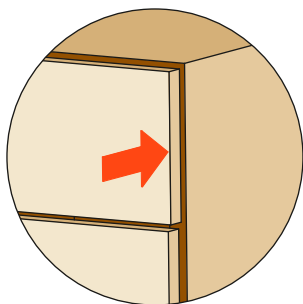
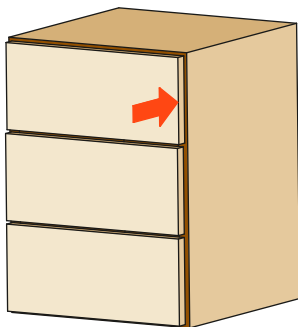
Rotate the white wheel towards the outside of the drawer to increase the gap between the frontal and the side. This operation is tool free.



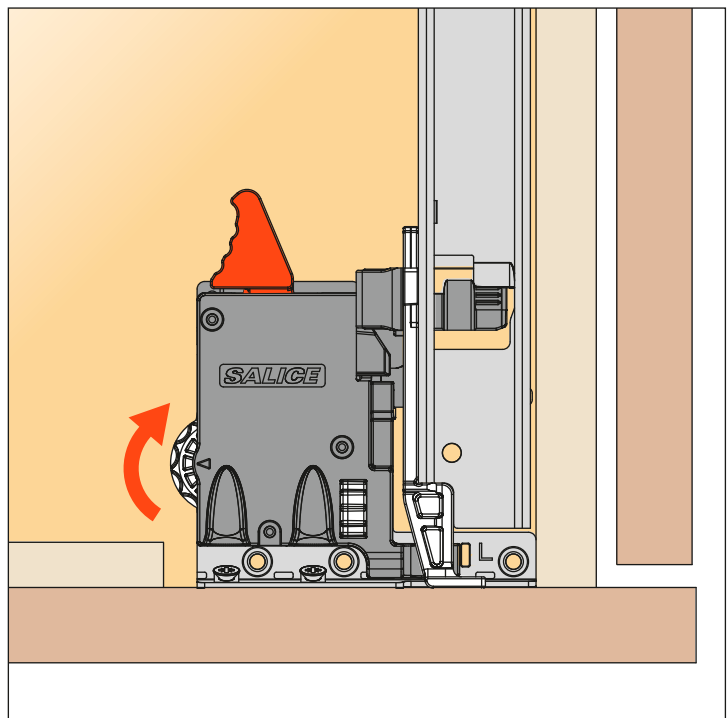
+ 3 mm



Rotate the white wheel towards the inside of the drawer to reduce the gap between the frontal and the side. This operation is tool free.

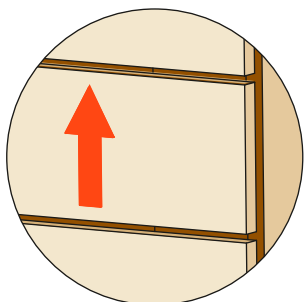
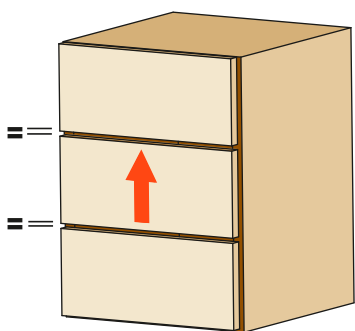
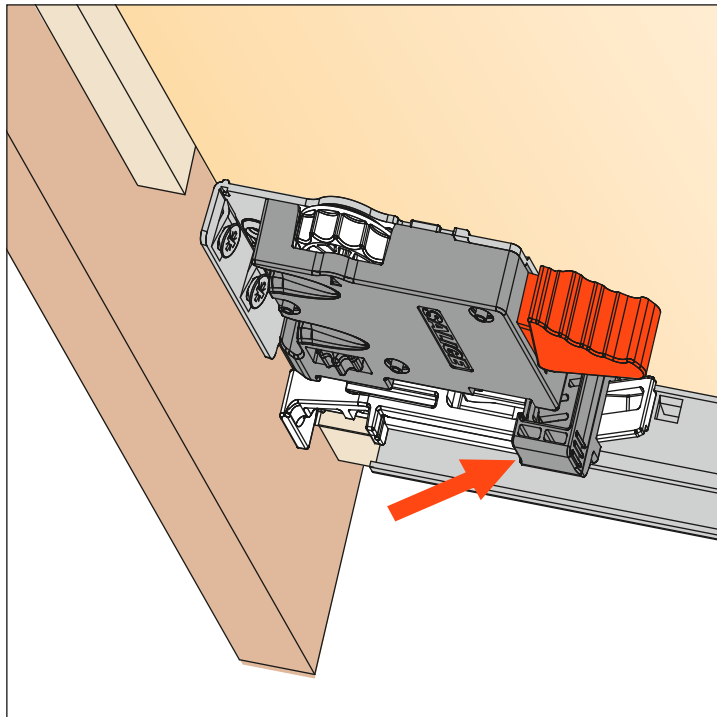
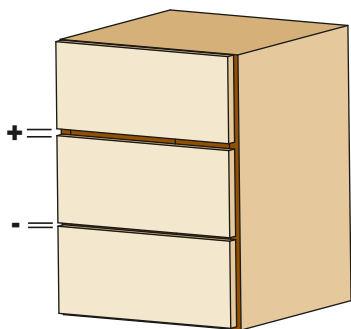


- 3 mm

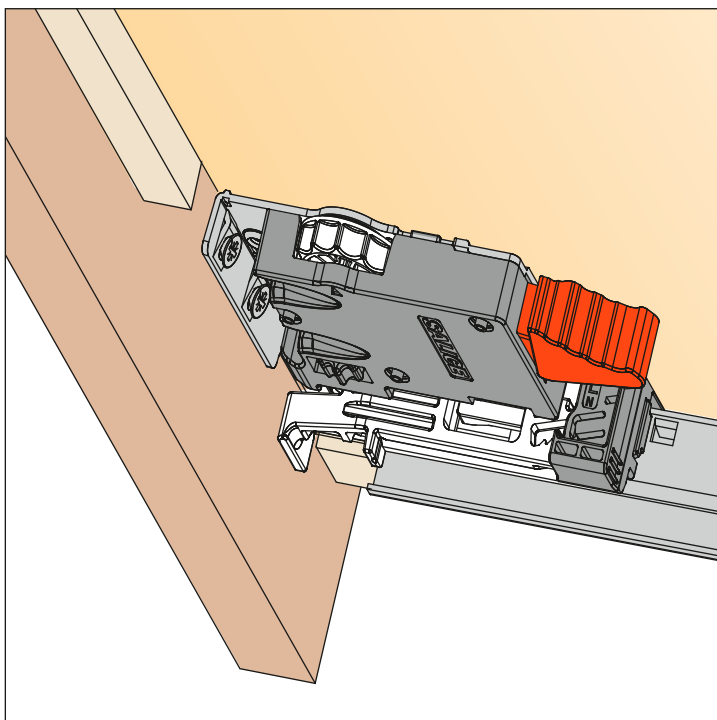


Height adjustment + 2.5 mm

Push the lever towards the inside of the drawer to achieve height adjustment.
This operation is tool free.

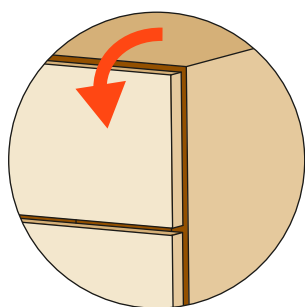
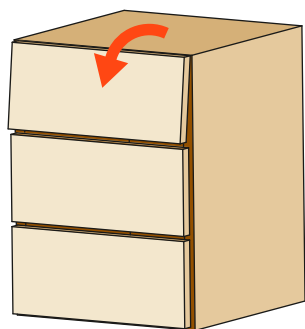


2.5 mm

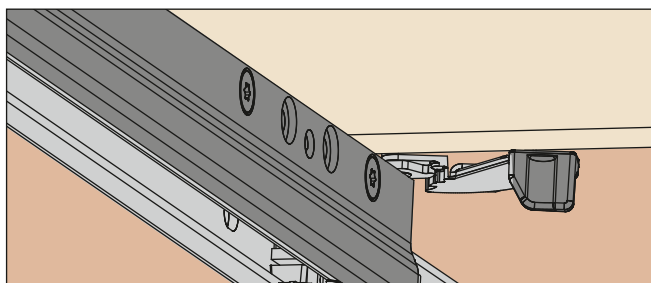
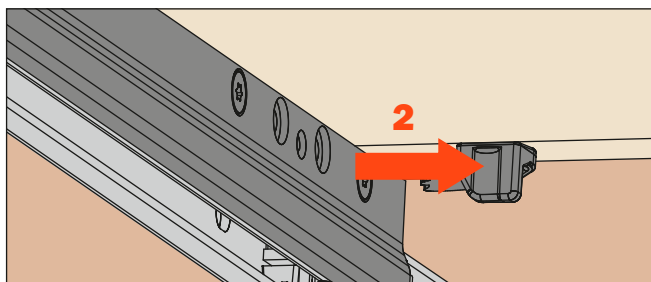
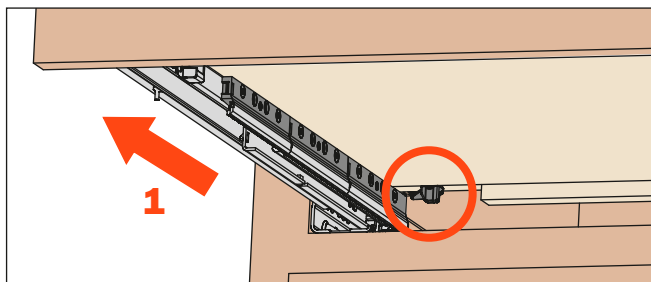


Tilt adjustment + 3 mm

Open the drawer and press the lever to achieve the adjustment.
This operation is tool free.



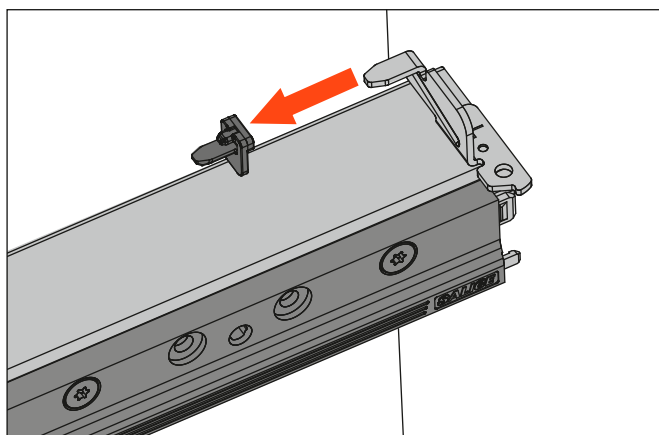
+ 3 mm



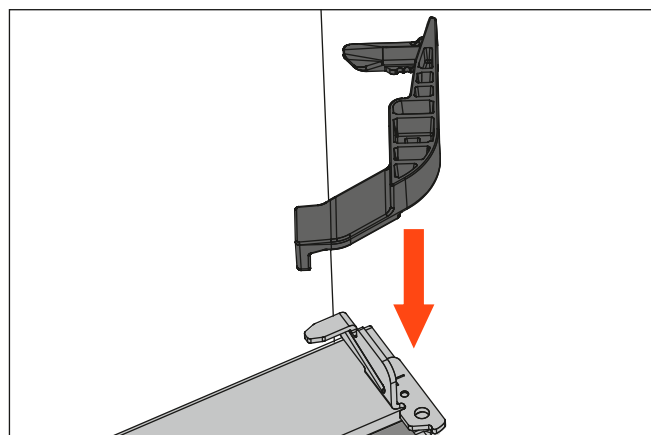
Drawer back preparation, see page 10. Lever for the **tilt adjustment AGLRXX3F**, see page 37.

Assembly of lever for the tilt adjustment (optional)

Pull out the drawer and remove the plastic insert



Insert the lever for the tilt adjustment, both right and left



Rotate the lever to achieve the required adjustment

