

Under-Sink - 2-Sided Drawer - H 178 mm



Lineabox metal sides, wood sub-front and back panel.

Height of the side 178 mm - Internal height 149 mm.

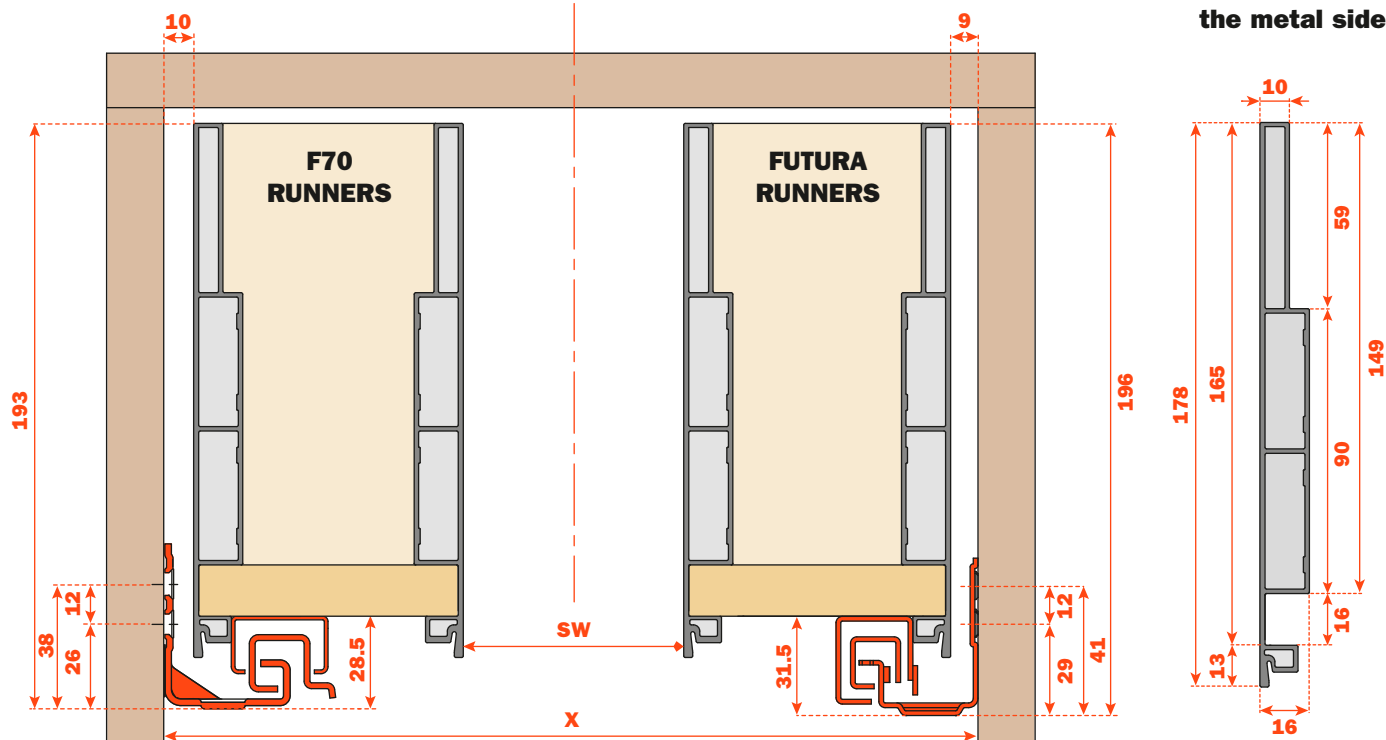
For use with Futura and F70 full-extension runners.

Drawers can be custom widths to fit most kitchen and bathroom sink and plumbing configurations.

- No machine or template needed for assembly
- Rapid assembly and disassembly of the drawer
- Height, side and depth adjustment of the drawer incorporated in the runner fixing clips
- Bottom thickness: 16 mm (5/8") for bottom, sub-front and back panels
- Sides notched front and back
- Premounted front/back connector fittings
- Non-handed sides
- Sides: 90° cut end
- Material: Aluminum
- Finishes:
 - White
 - Gray
 - Stainless steel

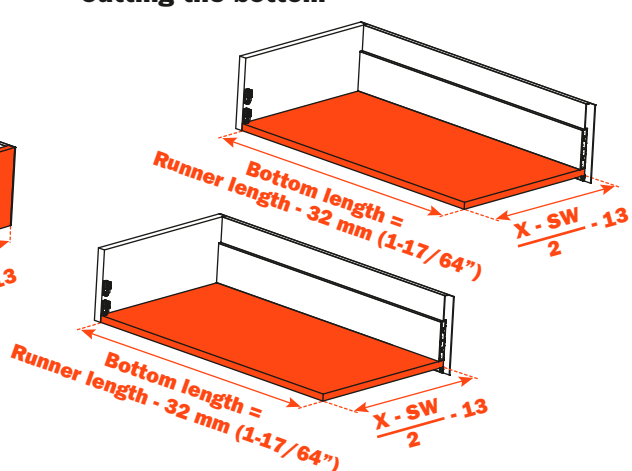
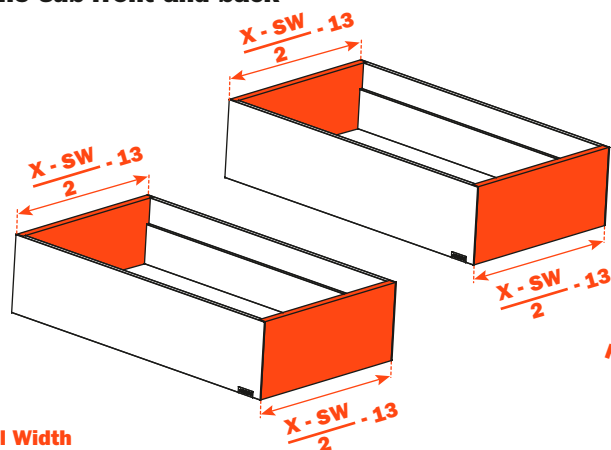
Dimensions with full-extension runners

Thickness of the metal side



Cutting the sub-front and back

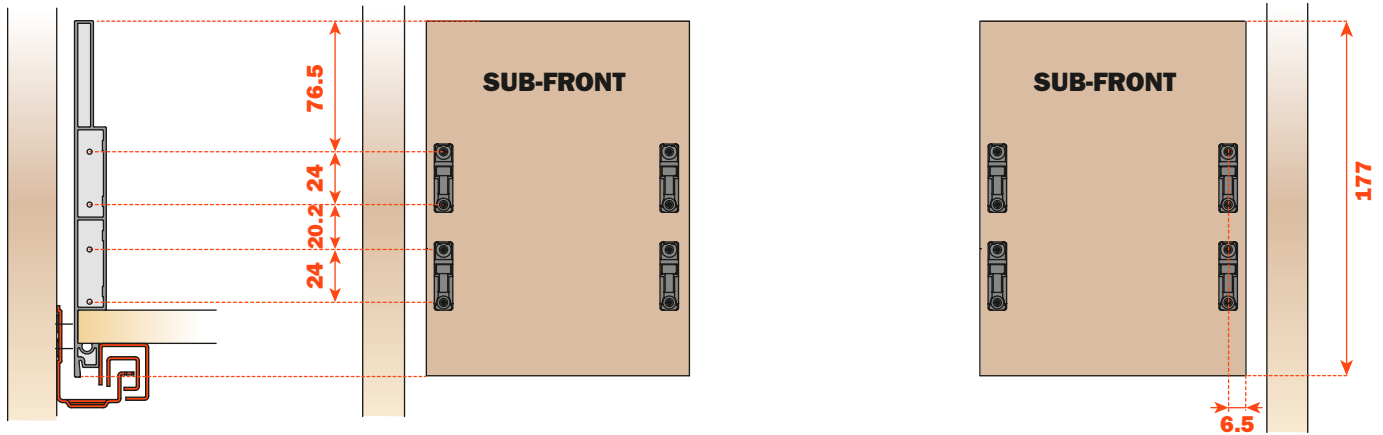
Cutting the bottom



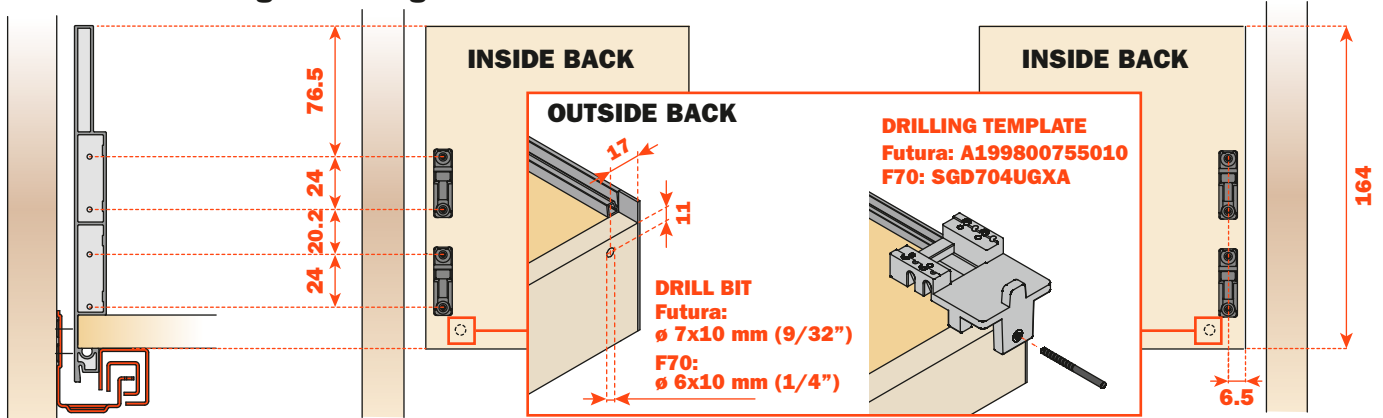
X = Internal Width
SW = Sink Width

Technical features

SUB-FRONT - Finished height & drilling dimensions



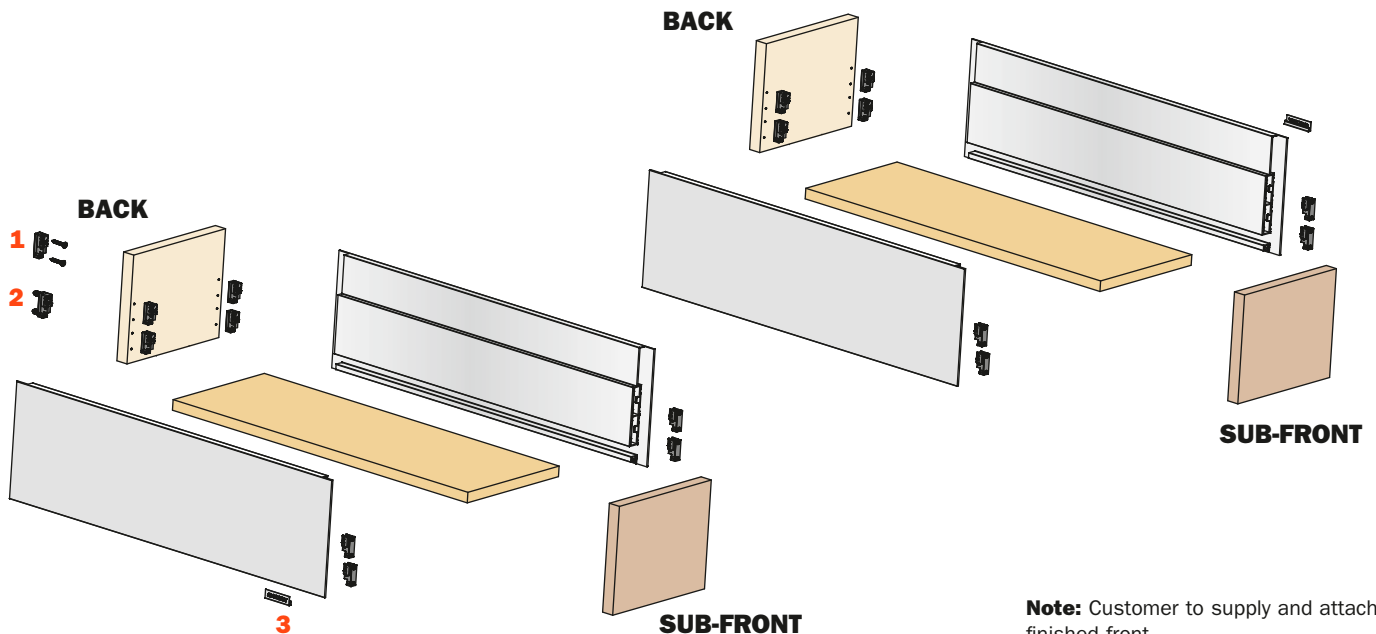
BACK - Finished height & drilling dimensions



Note: Rear hook hole dimensions based on drilling with Salice drilling template **A199800755010** with Futura runners or **SGD704UGXA** with F70 runners (see accessories, page 50).

Components of the drawer

- 1** Front/back fixing clip **ASMGP12A3XA** - screw attachment **OR 2** Front/back fixing clip **ASMGP12A3CA** - 5 mm dowel attachment Nr. 16 pcs.
- 3** Cover cap (With embossed Salice logo **ASCCX83H9SN** - With silk-screen printed Salice logo **ASCCX83H9SN**) Nr. 2 pcs. (optional)



Note: Customer to supply and attach finished front.