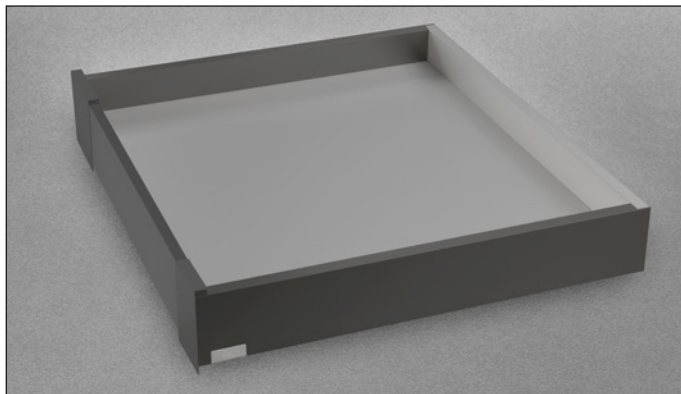


4-Sided Internal Drawer - H 75 mm

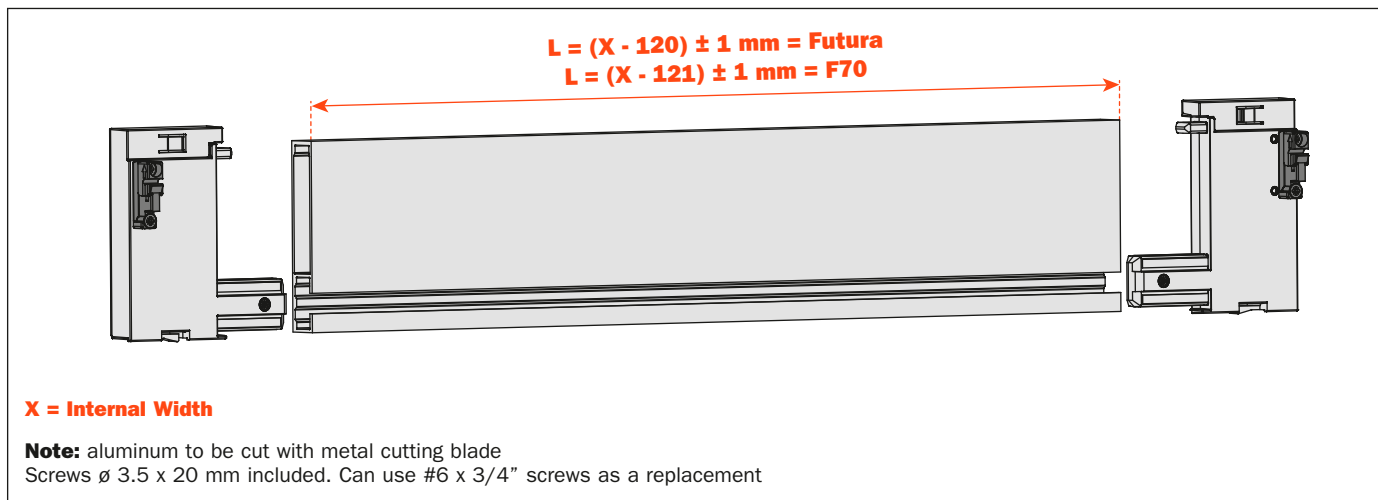


Height of Lineabox side 75 mm
Max. height of front panel 100 mm
For use with Futura and F70 full-extension runners

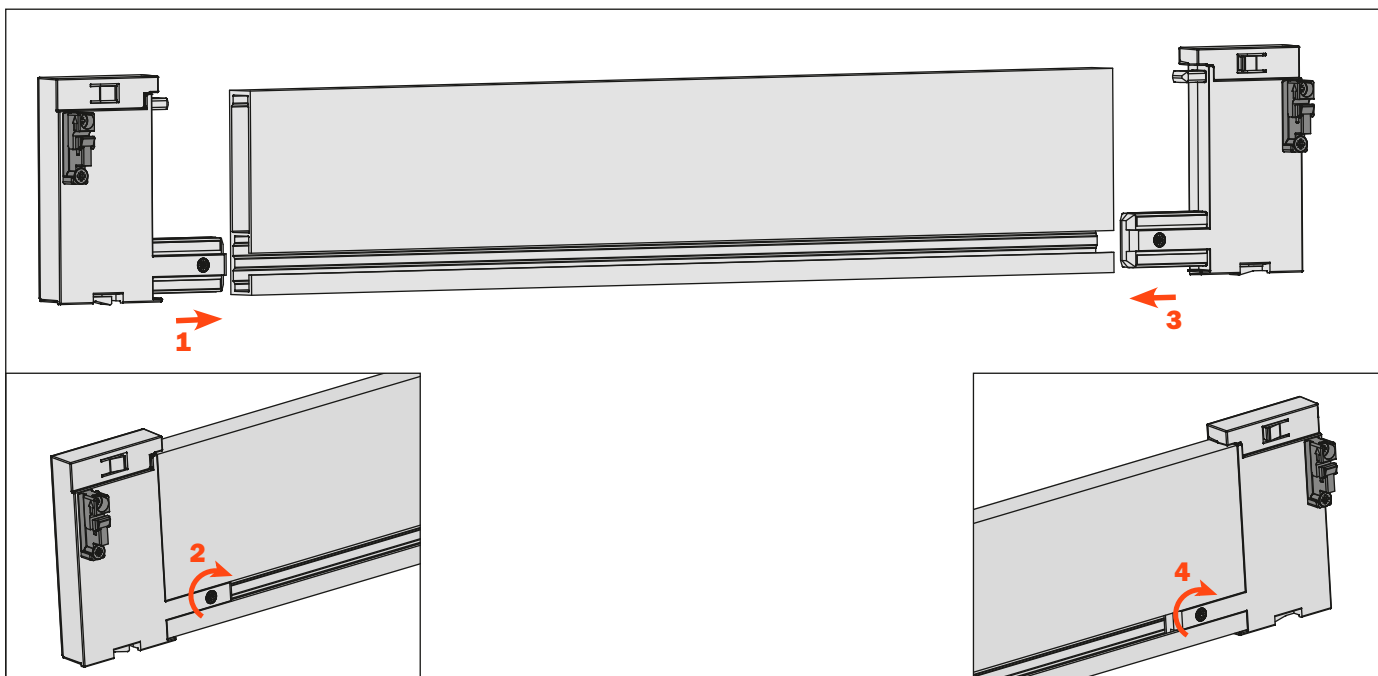
- Rapid assembly system, with no machinery or templates needed
- Rapid mounting and removal of front panel
- Can be personalized according to the width of the cabinet
- Height, sideways and depth adjustment of the drawer incorporated in the runner fixing clips
- Material:
 - aluminum for Lineabox sides and front panel
 - plastic for front panel adapters
 - metal for covers
- Finishes:
 - White
 - Gray
 - Stainless steel

Assembly features

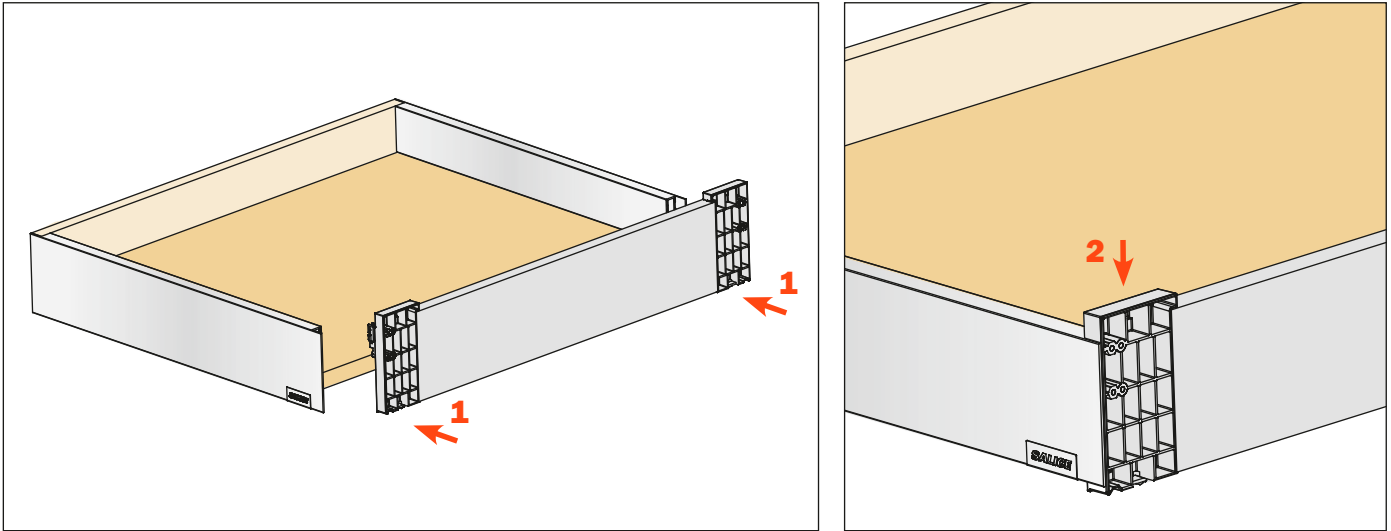
Cutting of the horizontal profile



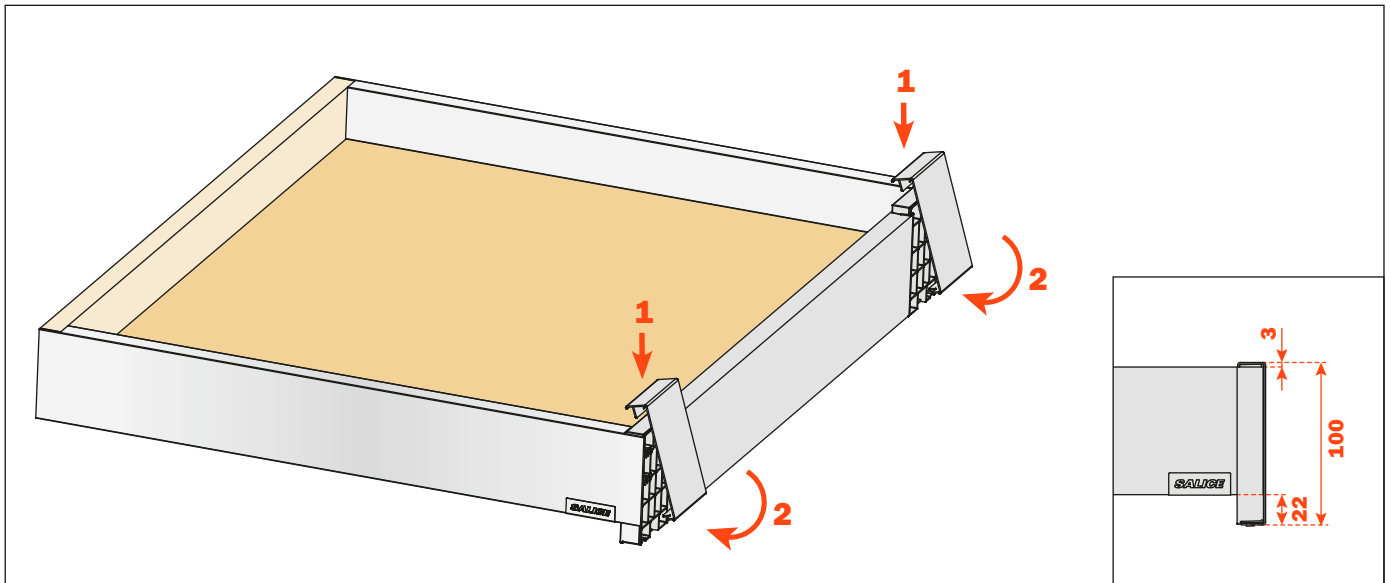
Insert the front panel adapters into the front panel and tighten the locking screws. Frontal fixings are already premounted.



Fix the front panel to the drawer



Fix the covers



To correct possible cutting errors of the front profile, loosen and retighten the indicated screws

