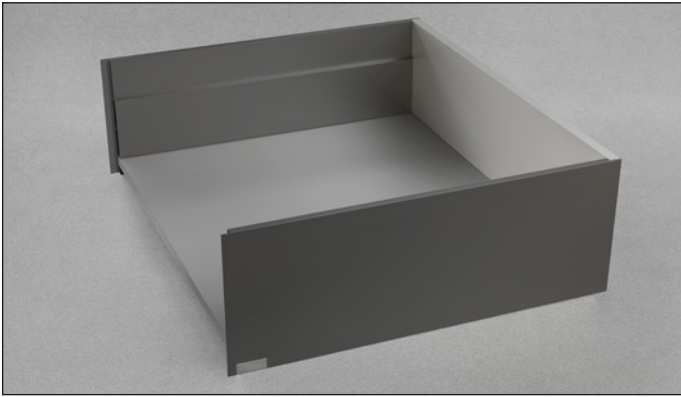


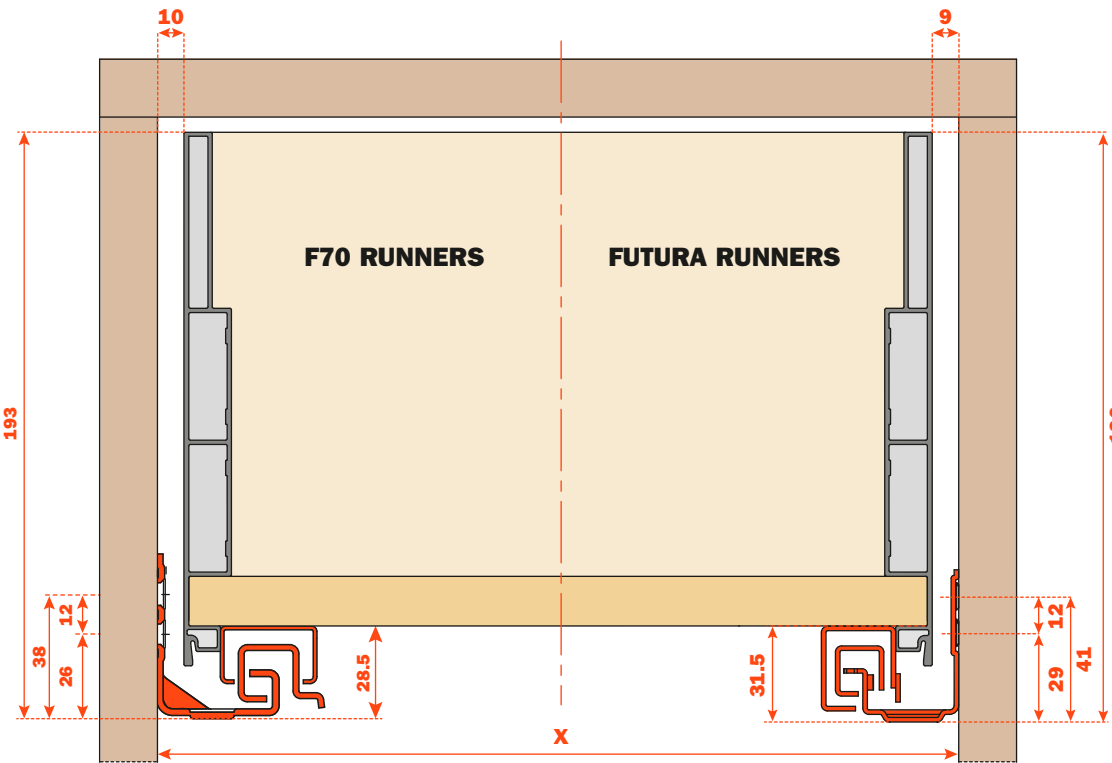
## 2-Sided Drawer - H 178 mm



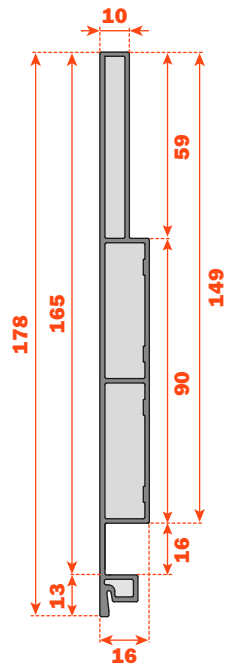
**Lineabox metal sides, wood sub-front and back panel.  
Height of the side 178 mm - Internal height 149 mm.  
For use with Futura and F70 full-extension runners.**

- No machine or template needed for assembly
- Rapid assembly and disassembly of the drawer
- Height, side and depth adjustment of the drawer incorporated in the runner fixing clips
- Wood thickness: 16 mm (5/8") for bottom, sub-front and back panels
- Sides notched front and back
- Premounted front/back connector fittings
- Non-handed sides
- Material: Aluminum
- Finishes:
  - White
  - Gray
  - Stainless steel

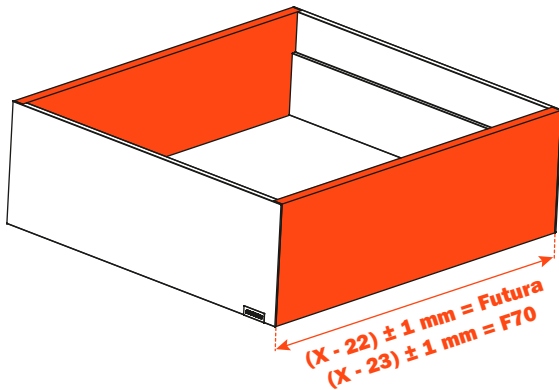
### Dimensions with full-extension runners



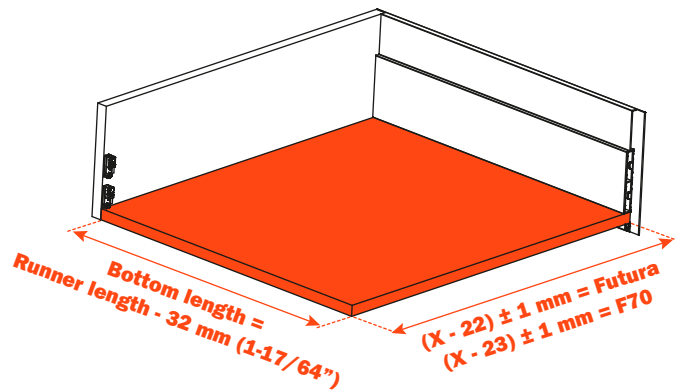
### Dimensions of the metal side



### Cutting the width for the sub-front and the back



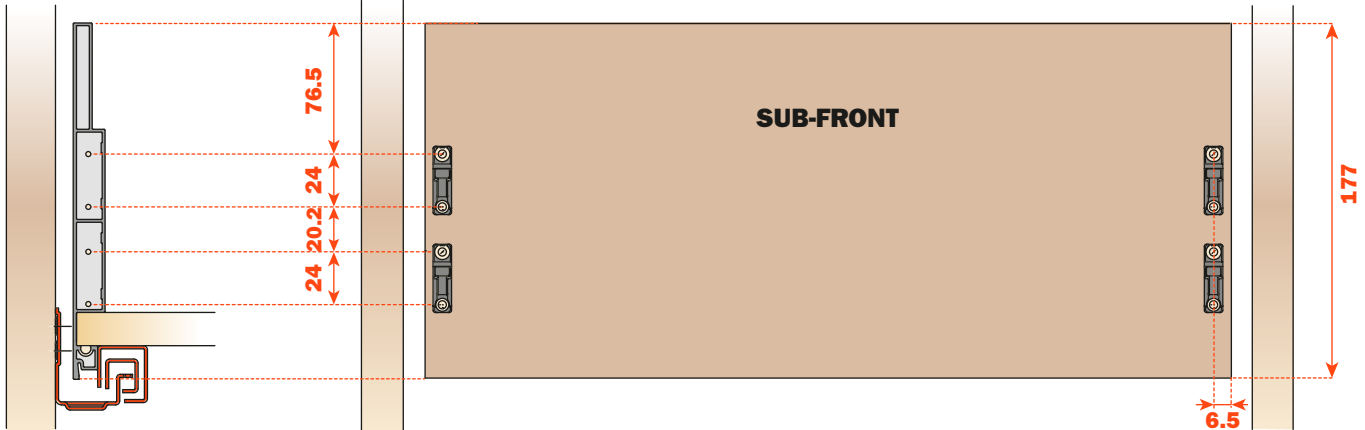
### Cutting the length and width for the bottom



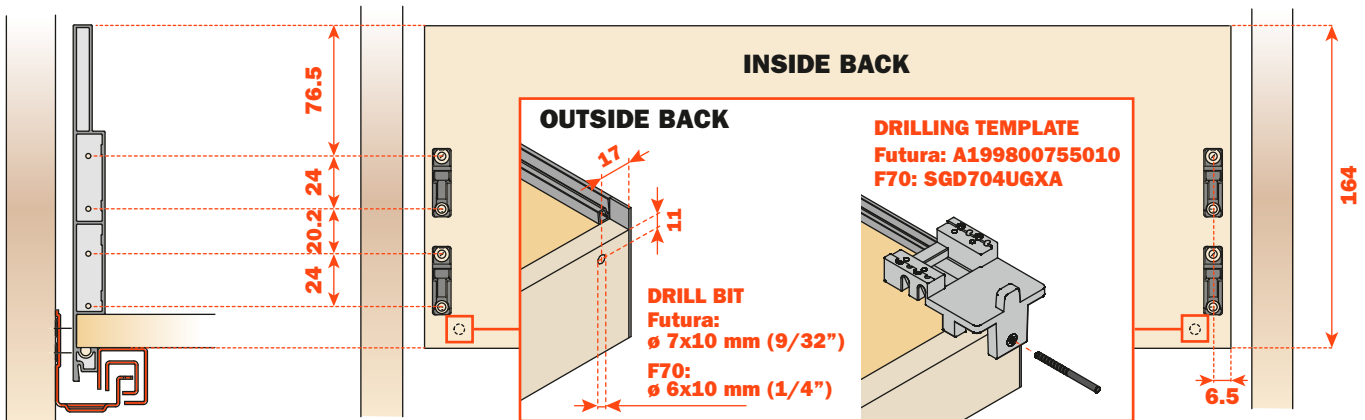
**X = Internal Width**

## Technical features

### SUB-FRONT - Finished height & drilling dimensions



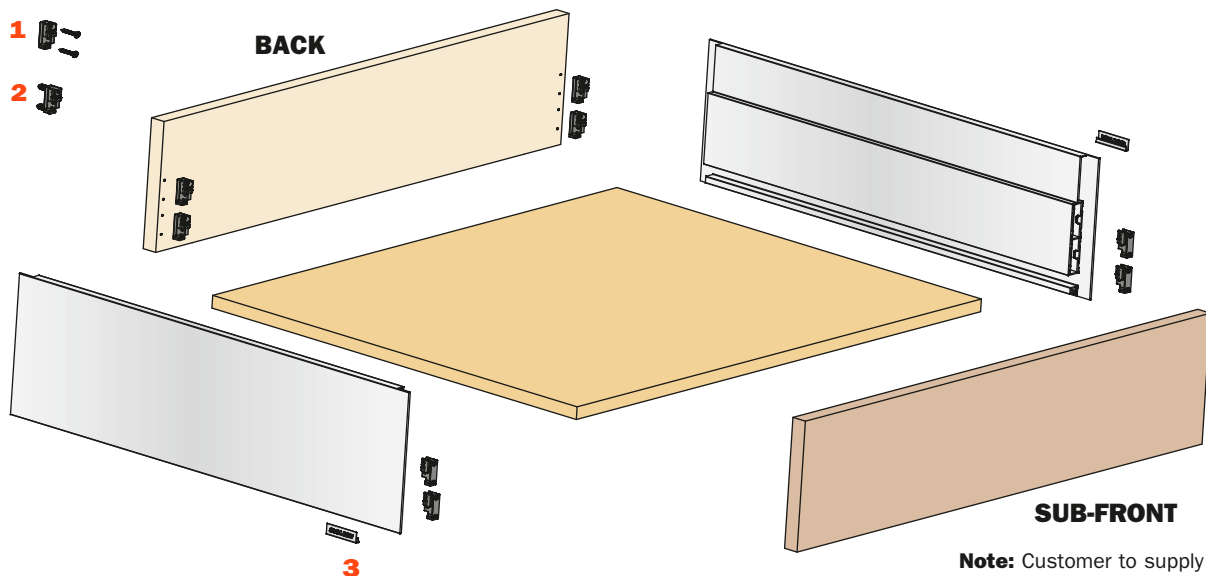
### BACK - Finished height & drilling dimensions



**Note:** Rear hook hole dimensions based on drilling with Salice drilling template **A199800755010** with Futura runners or **SGD704UGXA** with F70 runners (see accessories, page 50).

### Components of the drawer

- 1** Front/back fixing clip **ASMGP12A3XA** - screw attachment **OR** **2** Front/back fixing clip **ASMGP12A3CA** - 5 mm dowel attachment Nr. 8 pcs.
- 3** Cover cap (With embossed Salice logo **ASCCX83H9SN** - With silk-screen printed Salice logo **ASCXX83H9SN**) Nr. 2 pcs. (optional)



**Note:** Customer to supply and attach finished front.