

## Under the sink pullouts

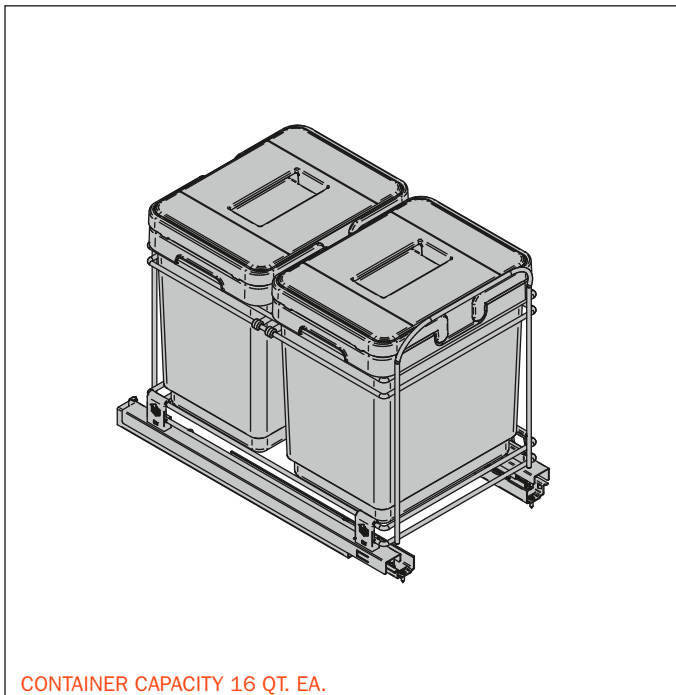


**Product features:**

- Bottom mount.
- Full extension.
- Soft close.
- Easy installation with only 4 wood screws.
- Integrated handle.

**Waste Bins:**

- Recyclable, non toxic material.
- Resistant to low & high temperatures.
- Non deformable.
- Integrated handles for easy removal.
- Lids included.



**12"** Under the sink waste bins. Soft close, wire bottom, full extension. Handle included. Two 16 Qt. plastic bins with lids. The waste bins are equipped with handles to easily keep your trash bag inside and lift cans up. Bottom mount.

Part#	Depth	Width	Height
QPETAM332MC	19-5/8"	11- 3/4"	14-1/2"

Note: Front handle height 15-1/16"

CONTAINER CAPACITY 16 QT. EA.