

Rotating pantry unit

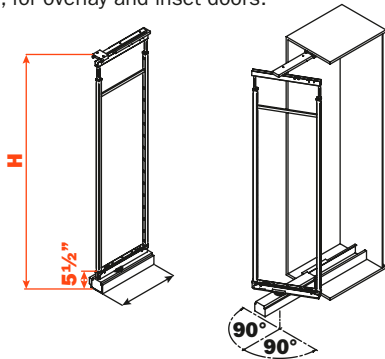


GENNAIO
FEBBRAIO
MARZO
APRILE
MAGGIO
GIUGNO
LUGLIO
AGOSTO
SETTEMBRE
OTTOBRE
NOVEMBRE
DICEMBRE

* all parts must be ordered separately.

Frame

Height-adjustable frame, for overlay and inset doors.



Part#	Depth	Width	Full set height: slide + frame	Recommended # of Baskets
QCE1204	19-9/16"	1-3/16"	46-7/32" - 63-17/32"	3
QCE1604	19-9/16"	1-3/16"	61-31/32" - 79-9/32"	4
QCE1904	19-9/16"	1-3/16"	73-25/32" - 91-3/32"	5

Available in:

VCH - Champagne finish

VG - Gray finish



Slide

Full extension pivoting slide with soft close return.
90° rotation of the frame to the right or to the left side.
Load capacity 220 lbs (100 kg).

Part#	Depth	Width	Height
QGCFTMR	19-11/16"	/	10-15/32"



Brackets

Adjustable door-mounting bracket, fast application to frame internal holes.
For doors over 7' tall we suggest to use 3 door-mounting brackets.

Part#	Depth	Width	Height
QCK130N	1-5/8"	9-7/8"	1-3/16"
QCK140N	1-5/8"	13-13/16"	1-3/16"
QCK145N	1-5/8"	15-3/4"	1-3/16"
QCK160N	1-5/8"	21-5/8"	1-3/16"

Available in:

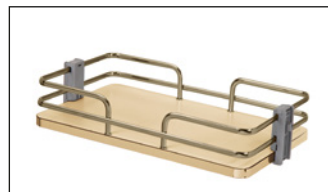
VCH - Champagne finish

VG - Gray finish

Installation

Min interior depth: 20-3/32"

Min interior opening: door-mounting bracket length +3/8"



Basket

Easy insertion and removal, non slip melamine surface, height adjustable basket assembly.

Part#	Depth	Width	Height
QCC30ASAOM	16-3/16"	9-11/16"	3-11/16"
QCC40ASAOM	16-3/16"	13-5/8"	3-11/16"
QCC45ASAOM	16-3/16"	15-5/8"	3-11/16"
QCC60ASAOM	16-3/16"	21-1/2"	3-11/16"

Available in:

VCH - Champagne wire/
American maple melamine bottom

C - Chrome wire/
White melamine bottom