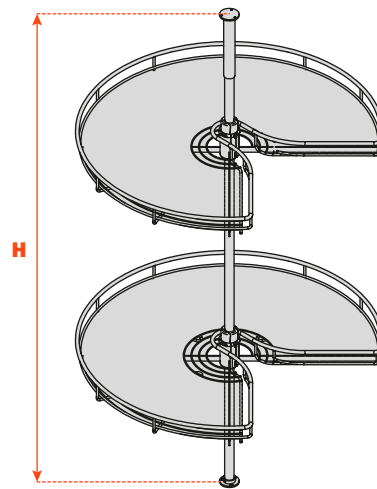
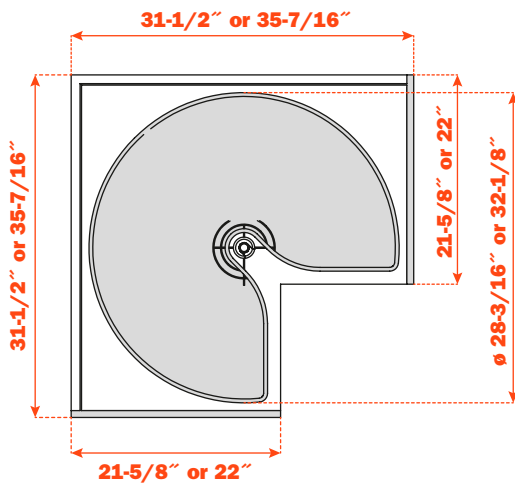


Swivel carousels

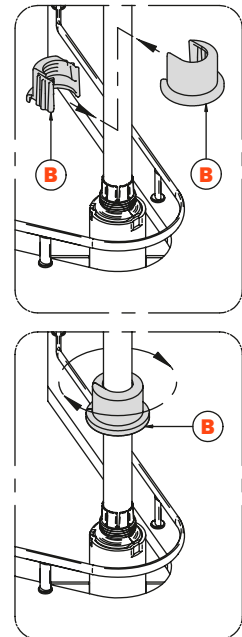


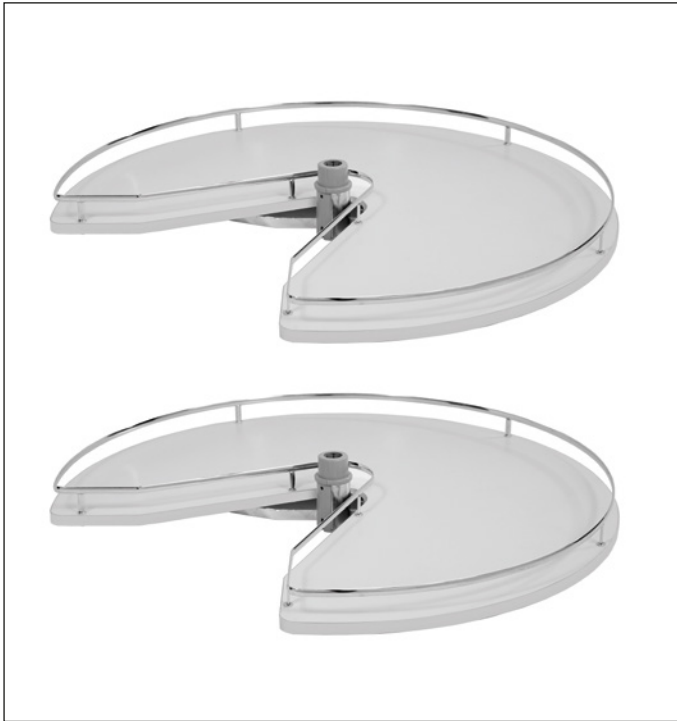
Suitable for base corner cabinets.
Independent shelf rotation for easy access, non slip melamine surface,
for frame and frameless cabinets.

Technical information



Fast block fitting (B)



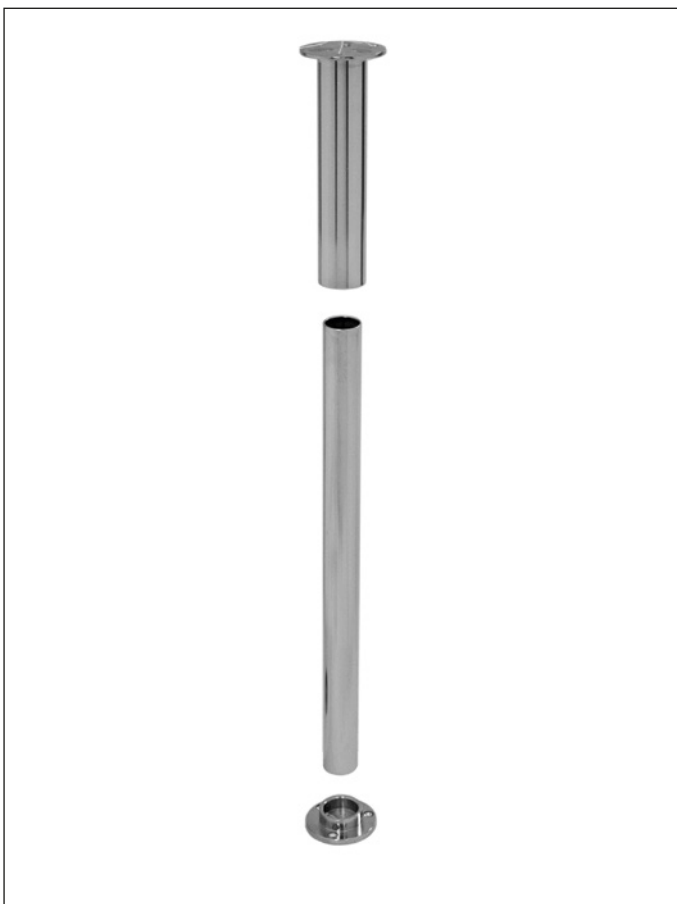


Kit contents: 2 pcs 3/4 circle pivoting carousels. Height adjustable shelves, load capacity per shelf 29 lbs (13 kg) for 28-3/16" and 35 lbs (16 kg) for 32-1/8", easy to install with "fast block fittings".

| Part# | ø | Width | Height |
|--------------|----------|-------|--------|
| QCG734FBM20M | 28-3/16" | / | 4-3/8" |
| QCG834FBM20M | 32-1/8" | / | 4-3/8" |

Available in:

- VCH** - Champagne wire/American maple melamine bottom
- C** - Chrome wire/White melamine bottom
- GC** - Chrome wire/Gray melamine bottom



Ø 25 mm chrome-plated post for carousels with top and bottom fittings, height adjustable post from 25-7/16" to 31-1/16".

| Part# | Depth | Width | Height |
|----------|--------|--------|---------------------|
| QTB500/2 | 2-1/8" | 2-1/8" | 25-7/16" - 31-1/16" |

Available in:

- C** - Chrome finish