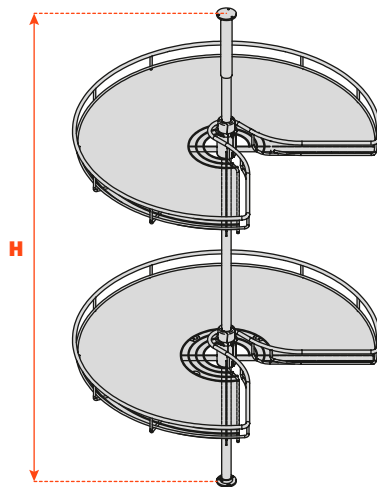
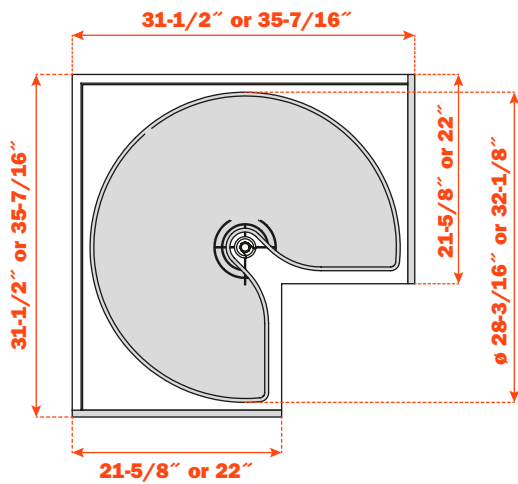


Swivel carousels

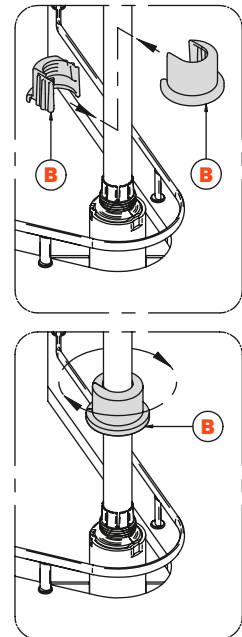


Suitable for base corner cabinets.
Independent shelf rotation for easy access, non slip melamine surface,
for frame and frameless cabinets.

Technical information



Fast block fitting (B)



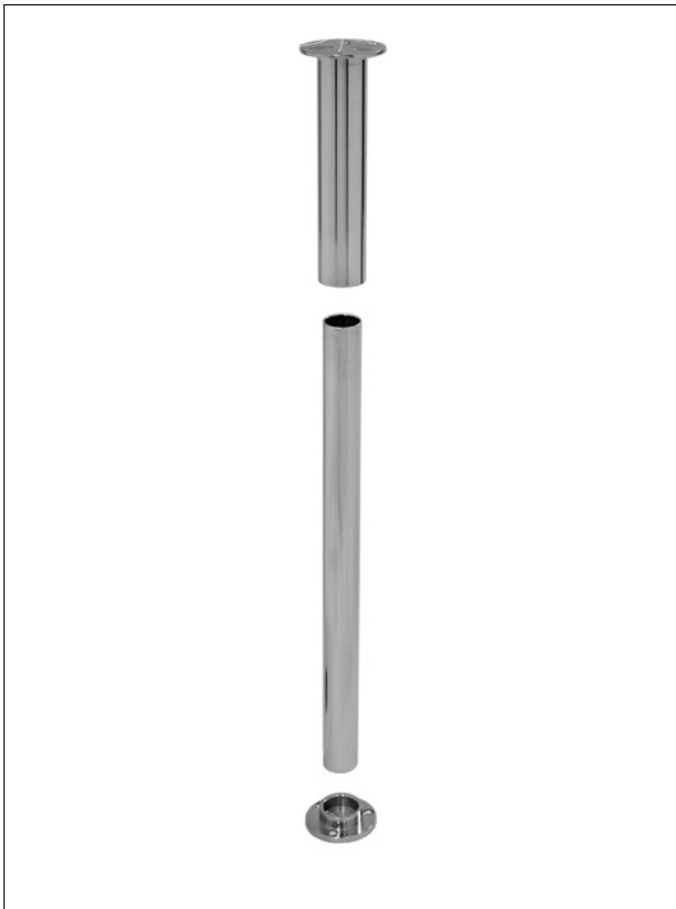


Kit contents: 2 pcs 3/4 circle pivoting carousels. Height adjustable shelves, load capacity per shelf 29 lbs (13 kg) for 28-3/16" and 35 lbs (16 kg) for 32-1/8", easy to install with "fast block fittings".

Part#	ø	Width	Height
QCG734FBM20M	28-3/16"	/	4-3/8"
QCG834FBM20M	32-1/8"	/	4-3/8"

Available in:

- VCH** - Champagne wire/American maple melamine bottom
- C** - Chrome wire/White melamine bottom
- MC** - Chrome wire/White woven cotton melamine bottom



Ø 25 mm chrome-plated post for carousels with top and bottom fittings, height adjustable post from 25-7/16" to 31-1/16".

Part#	Depth	Width	Height
QTB500/2	2-1/8"	2-1/8"	25-7/16" - 31-1/16"

Available in:

- C** - Chrome finish