

Fly moon



The two parts must be ordered separately.

Technical Information

An innovative and unique space saving corner unit.

The shelves can be pulled-out independently, trays are designed to increase storage surface, height adjustable shaft, easy to install. The mechanism is a patented system and can be easily fixed in on one side of the cabinet, non slip melamine surface, for frame and frameless cabinets, load capacity 44 lbs (20kg) per shelf, minimum door opening 85°, height of the shelf rail 70 mm (2-3/4").

Shelf kit contents: 2 pull-out pivoting shelves; metal plates for connection; assembly instruction.

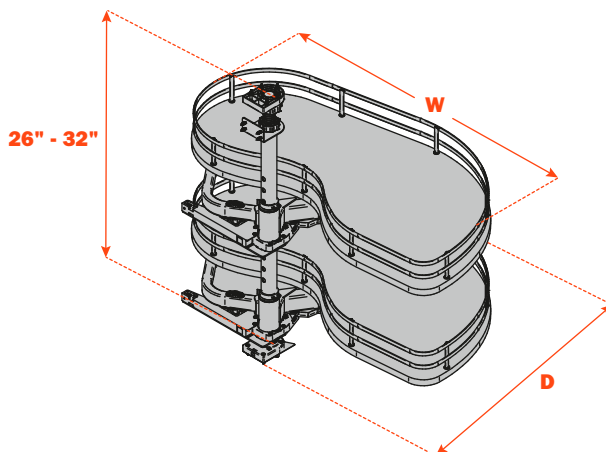
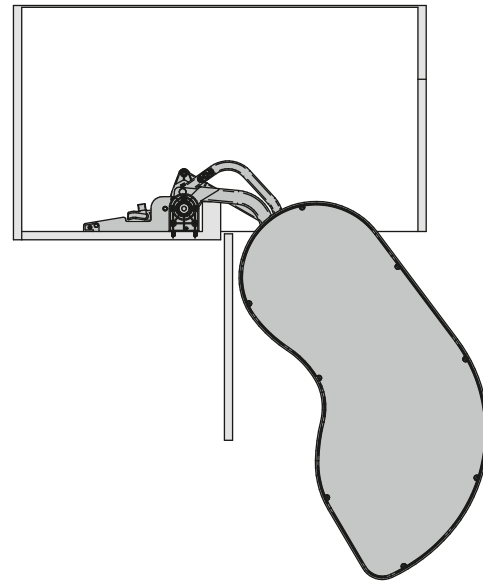
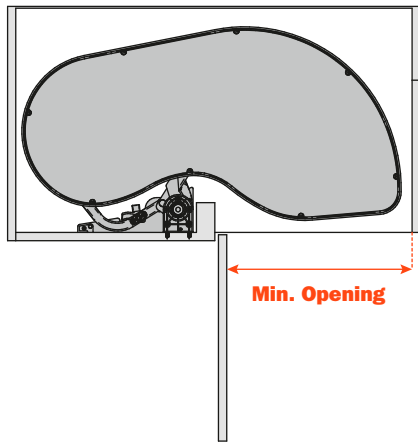
Mechanism kit contents: mechanism with height adjustable shaft; brackets and extension pipe; assembly instruction.

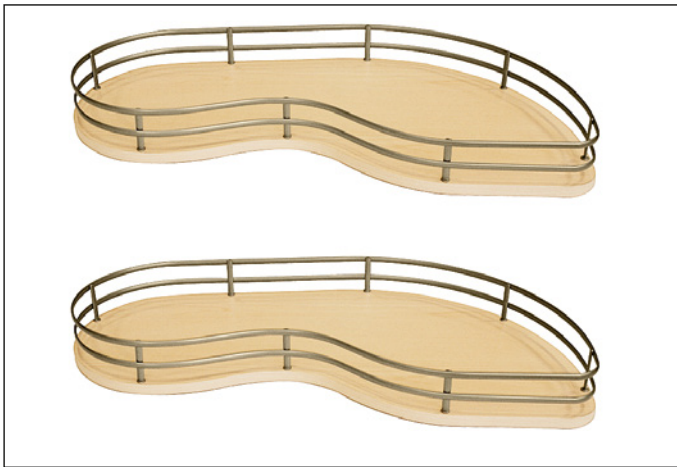
Available in soft close version only.

The picture shows right hand version.

Technical information

The drawing shows right hand version





2 pull-out pivoting shelves with non slip bottom. Handed (L or R).

Part#	Version	Min. opening	Depth	Width	Height
QFLY40DXG20M	Right	13-5/8"	16-1/32"	29"	3-3/8"
QFLY40SXG20M	Left	13-5/8"	16-1/32"	29"	3-3/8"
QFLY45DXG20M	Right	16"	17-3/8"	32-3/16"	3-3/8"
QFLY45SXG20M	Left	16"	17-3/8"	32-3/16"	3-3/8"
QFLY60DXG20M	Right	21"	18-3/4"	38-7/16"	3-3/8"
QFLY60SXG20M	Left	21"	18-3/4"	38-7/16"	3-3/8"

Available in:

VCH - Champagne wire/
American maple melamine bottom

C - Chrome wire/White melamine bottom

MC - Chrome wire/White woven cotton
melamine bottom



Corner mechanism suitable for 13-5/8" - 16" - 21" minimum door opening. Height adjustable from 26" to 32". Non reversible. Extension kit included.

Available in soft close version only.

Soft close part #	Version	Height
QFLYANEM2DXV	Right	26" - 32"
QFLYANEM2SXV	Left	26" - 32"

Available in:

GF - Dark gray