

# Smart corner



The picture shows a left hand version

## Technical Information

Smart Corner unit requires a minimum door opening of 17". Easy assembly, full extension and soft closing system, open in one movement, automatically allows free access to the rear baskets, non slip surface, for frameless cabinets, load capacity: back shelves 44 lbs (20 kg) - front shelves 22 lbs (10 kg). Inside height min. 22-3/8". Non reversible.

**Kit contents:** base corner unit system, set of 4 baskets (2 front and 2 rear), full extension soft close slides (400 mm), adjustable door mounting bracket, assembly instructions.

The door opening angle can be adjusted in three different positions.

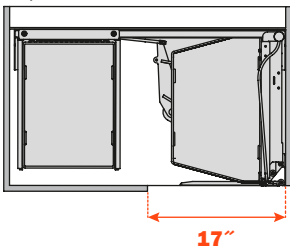


Additional handle available in the kit for hinged door.

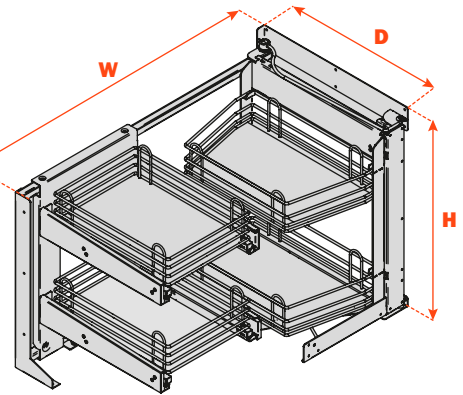
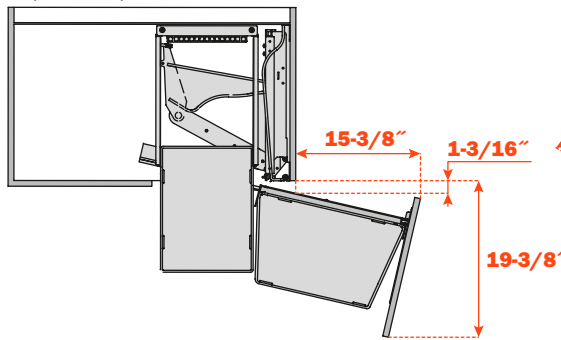
## Technical information

The drawing shows right hand version

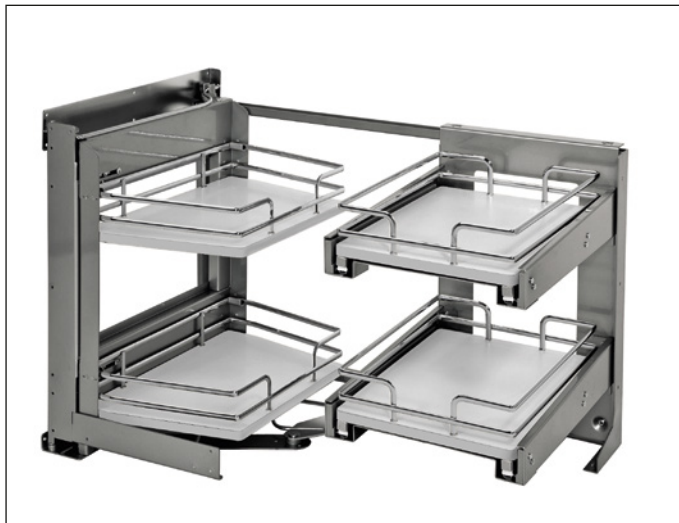
Top view - closed



Top view - open



**Note: the door protrusion must be considered for hinged door application.**



Part#	Version	Depth	Width	Height
QSMC45DXFMOM	Right	19-1/4"	33-5/16"	22-3/8"
QSMC45SXFOM	Left	19-1/4"	33-5/16"	22-3/8"

Available in:

**VCH** - Champagne wire/American maple melamine bottom

**C** - Chrome wire/White melamine bottom

**GC** - Chrome wire/Gray melamine bottom