

Pull-out organizer



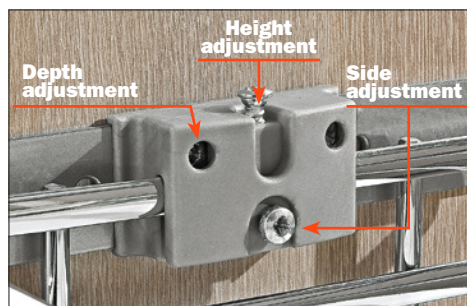
Technical Information

2-tier base organizer, offering easy access, full extension soft close, non slip melamine surface, for frame and frameless cabinets, load capacity 75 lbs (35 kg), 3-way door adjustment, comes fully assembled ready to be installed.

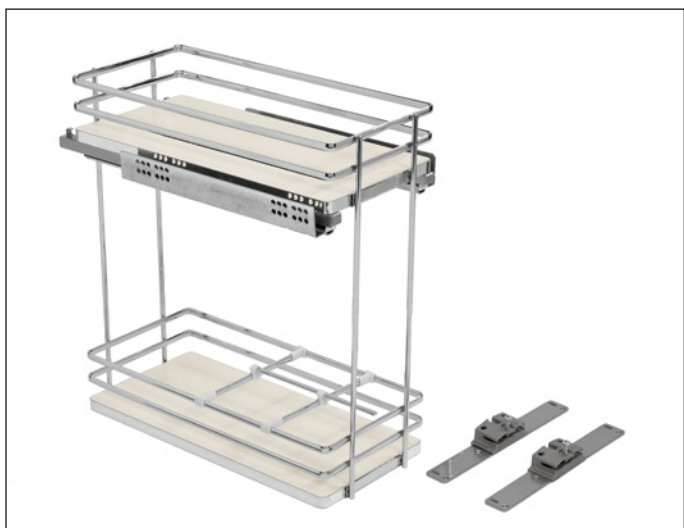
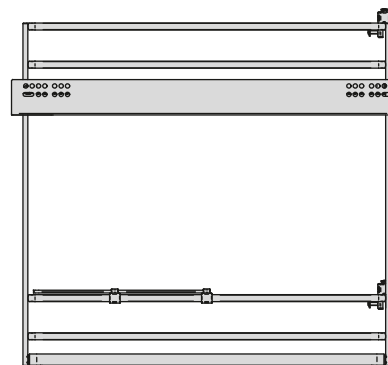
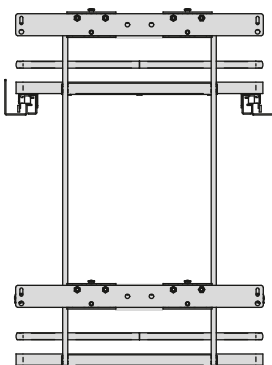
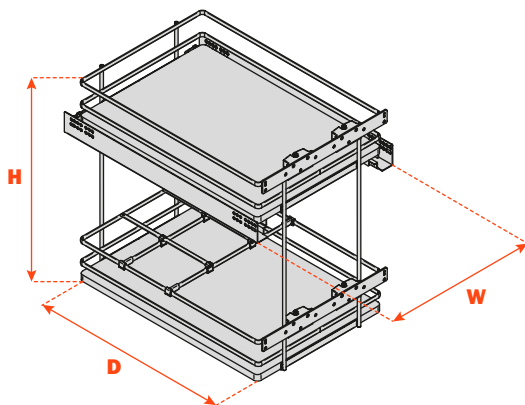
Kit contents: 2-tier base organizer, full extension soft close slide, (2) adjustable door-mounting brackets, snap-on pull-out dividers, assembly instructions and drilling template.

Door-mount bracket

Features:
Patented system; 3 way adjustability for alignment of the door: height (+/- 2 mm), side (+/- 3 mm) and depth (+ 4 mm) adjustments, easy installation with only two screws; suitable for standard style doors and five piece doors as well - Use a #2 pozi driver to adjust.



Technical information



Part#	Depth	Width	Height
QEGTAM12B20M	21-3/8"	12"	20"
QEGTAM15B20M	21-3/8"	15"	20"
QEGTAM18B20M	21-3/8"	18"	20"

Available in:

- VCH** - Champagne wire/American maple melamine bottom
- C** - Chrome wire/White melamine bottom
- MC** - Chrome wire/White woven cotton melamine bottom