

Pull-out base filler



Technical Information

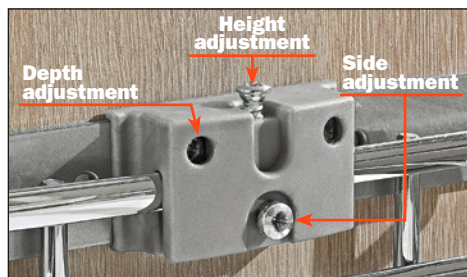
Minimum opening 6", 2 or 3-tier base organizer, full extension soft close, non slip melamine surface, for frame and frameless cabinets, load capacity 75 lbs (35 kg), 3-way door adjustment, comes fully assembled ready to be installed.

Kit contents: 2- or 3-tier side pull-out unit, full extension soft close slide, (2) adjustable door-mounting brackets, assembly instructions and drilling template.

Door-mount bracket

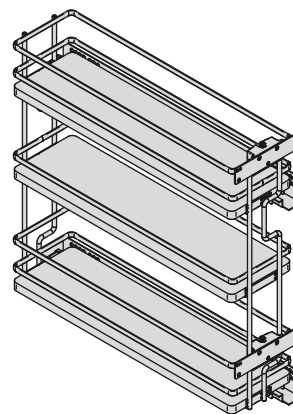
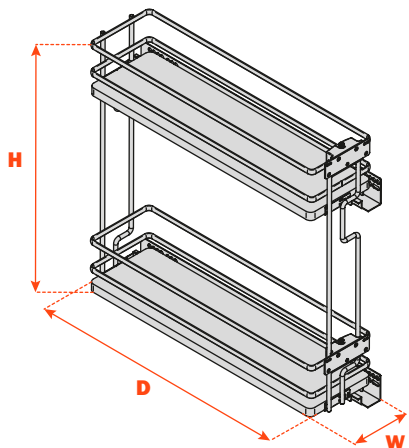
Features:

Patented system; 3 way adjustability for alignment of the cabinet door: height (+/- 2 mm), side (+/- 3 mm) and depth (+ 4 mm) adjustments, easy installation with only two screws; suitable for standard style doors and five piece doors as well - Use a #2 pozi driver to adjust.



Technical information

The drawing shows right hand version



Two-tier base organizer

Part#	Version	Depth	Width	Height
QELQAM6DXOM	Right	21-3/8"	5-3/4"	21"
QELQAM6SXOM	Left	21-3/8"	5-3/4"	21"

Three-tier base organizer

Part#	Version	Depth	Width	Height
QELQAM63DXOM	Right	21-3/8"	5-3/4"	21"
QELQAM63SXOM	Left	21-3/8"	5-3/4"	21"

Available in:

- VCH** - Champagne wire/American maple melamine bottom
- C** - Chrome wire/White melamine bottom
- GC** - Chrome wire/Gray melamine bottom

Pull-out base filler



Technical Information

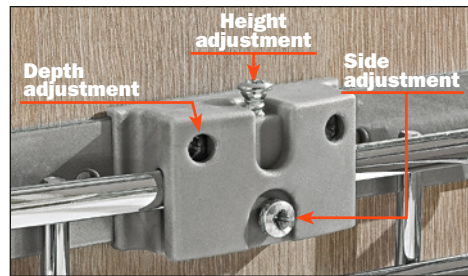
Minimum opening 4-1/2", 3- or 2-tier base organizer, full extension soft close, non slip melamine surface, for frame and frameless cabinets, load capacity 75 lbs (35 kg), 3-way door adjustment, comes fully assembled ready to be installed.

Kit contents: 3- or 2-tier side pull-out unit, full extension soft close slide, 2 adjustable door-mounting brackets, assembly instructions and drilling template.

Door-mount bracket

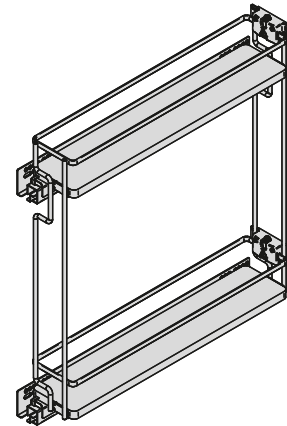
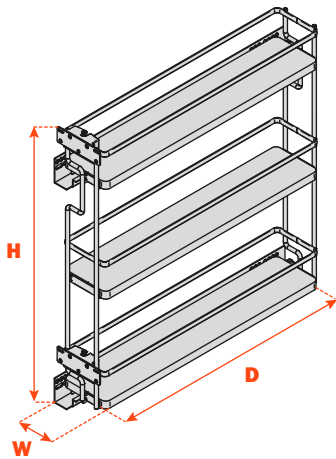
Features:

Patented system; 3 way adjustability for alignment of the cabinet door: height (+/- 2 mm), side (+/- 3 mm) and depth (+ 4 mm) adjustments, easy installation with only two screws; suitable for standard style doors and five piece doors as well - Use a #2 pozi driver to adjust.



Technical information

The drawing shows left hand version



Three-tier base organizer

Part#	Version	Depth	Width	Height
QELQAM4DXOM	Right	21-3/8"	4-1/4"	22-5/8"
QELQAM4SXOM	Left	21-3/8"	4-1/4"	22-5/8"

Two-tier base organizer

Part#	Version	Depth	Width	Height
QELQAM42DXOM	Right	21-3/8"	4-1/4"	22-5/8"
QELQAM42SXOM	Left	21-3/8"	4-1/4"	22-5/8"

Available in:

- VCH** - Champagne wire/American maple melamine bottom
- C** - Chrome wire/White melamine bottom
- GC** - Chrome wire/Gray melamine bottom