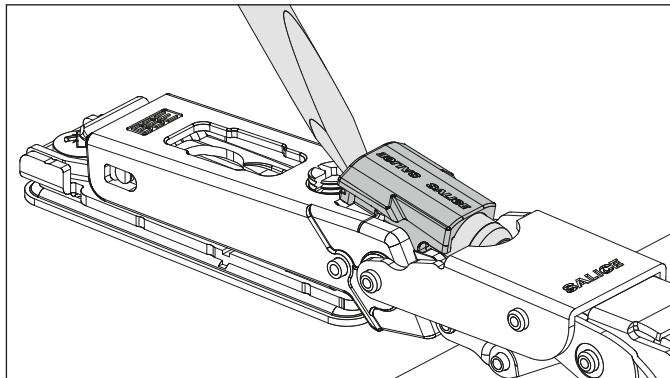


# Disassembly and assembly instructions

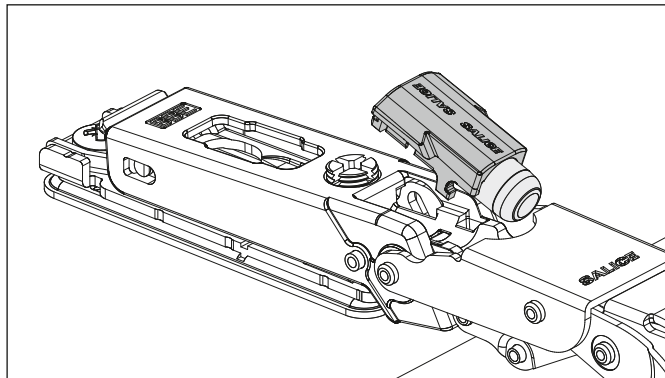
## Disassembly of the Smove.

It is possible to convert the hinges with integrated soft-close into sprung hinges by replacing the Smove with the cover.

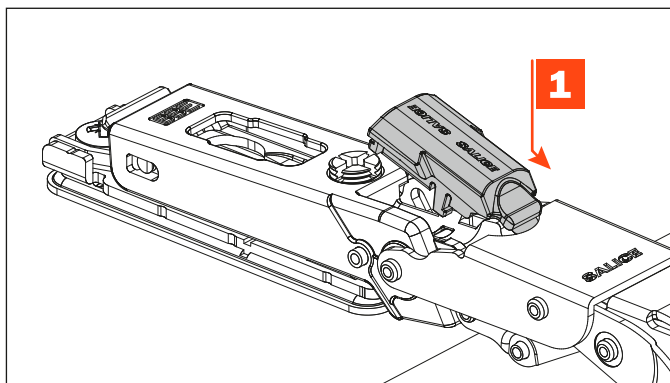
Lift the Smove using a flat-blade screwdriver.



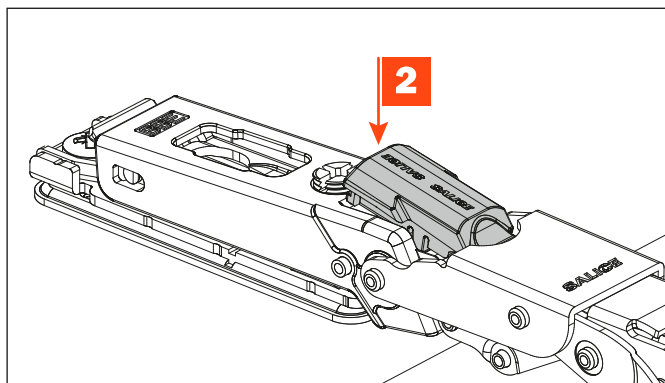
Remove the Smove from the hinge arm.



Insert the cover frontally.



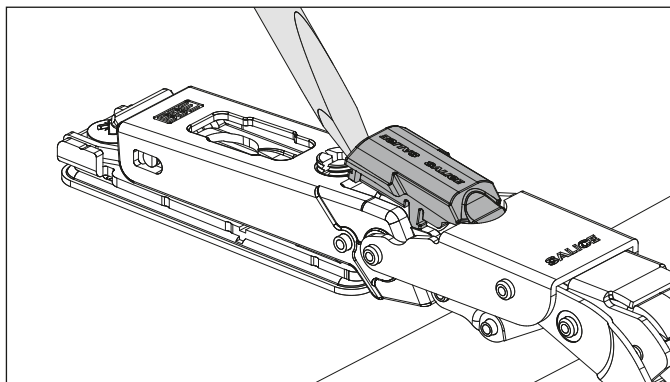
Press lightly on the back to fix in position.



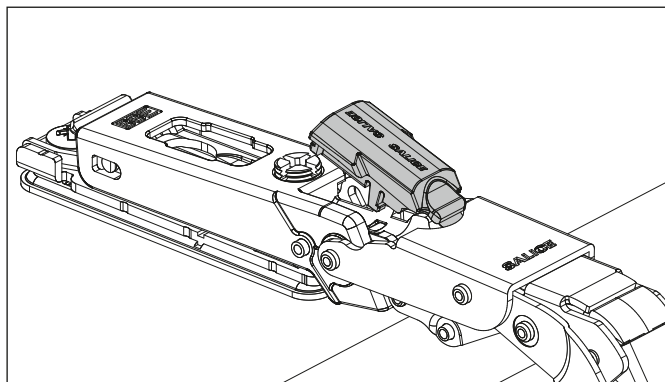
## Disassembly of the cover.

It is possible to convert the sprung hinges into hinges with integrated soft-close by replacing the cover with the Smove.

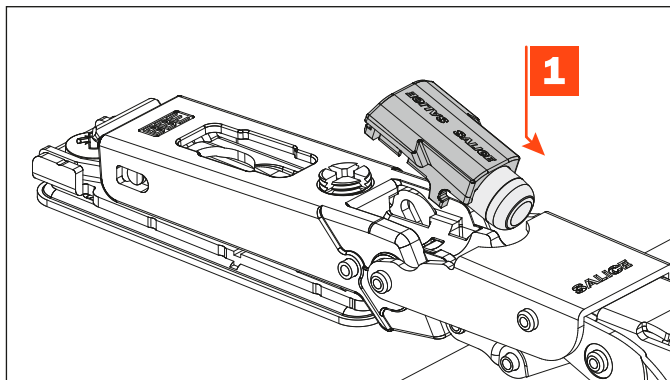
Lift the cover using a flat-blade screwdriver.



Remove the cover.



Insert the Smove frontally.



Press lightly on the back to fix in position.

