

Excessories - hang

VE80DAHA0133B = Hanger rail for clothes, length 1000 mm

VE80DAHA0233B = Hanger rail for clothes, length 1500 mm

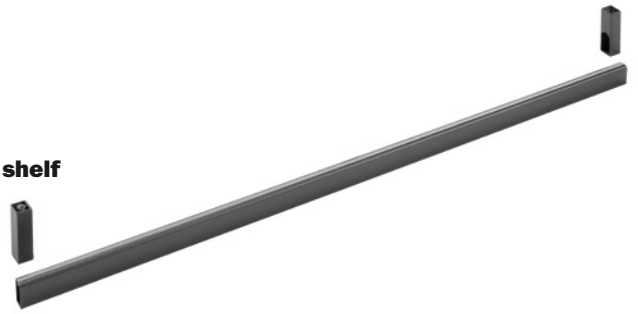
VE80DAHA1033B = End supports for hanger rail

VE80DAHA1133B = Centre support for hanger rail

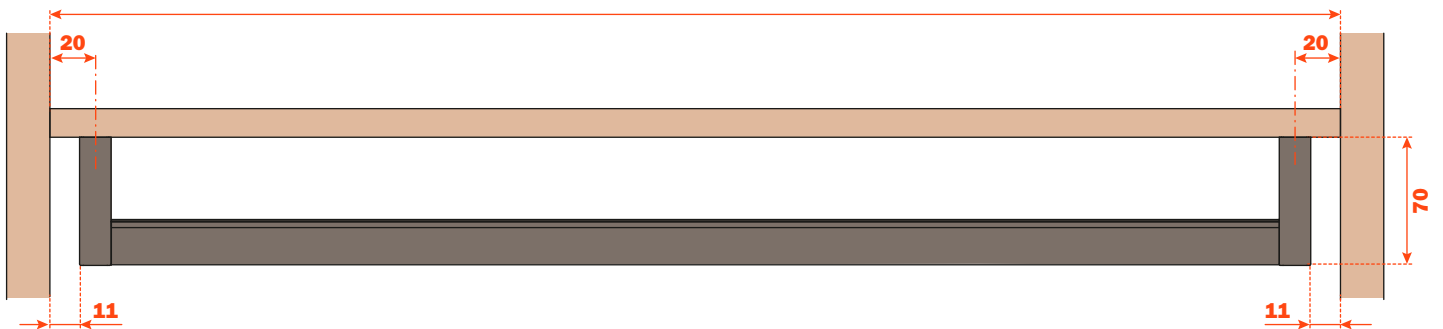
FIXING FROM THE TOP OF THE CABINET

Hanging rail for clothes hangers with support brackets, for wooden shelf

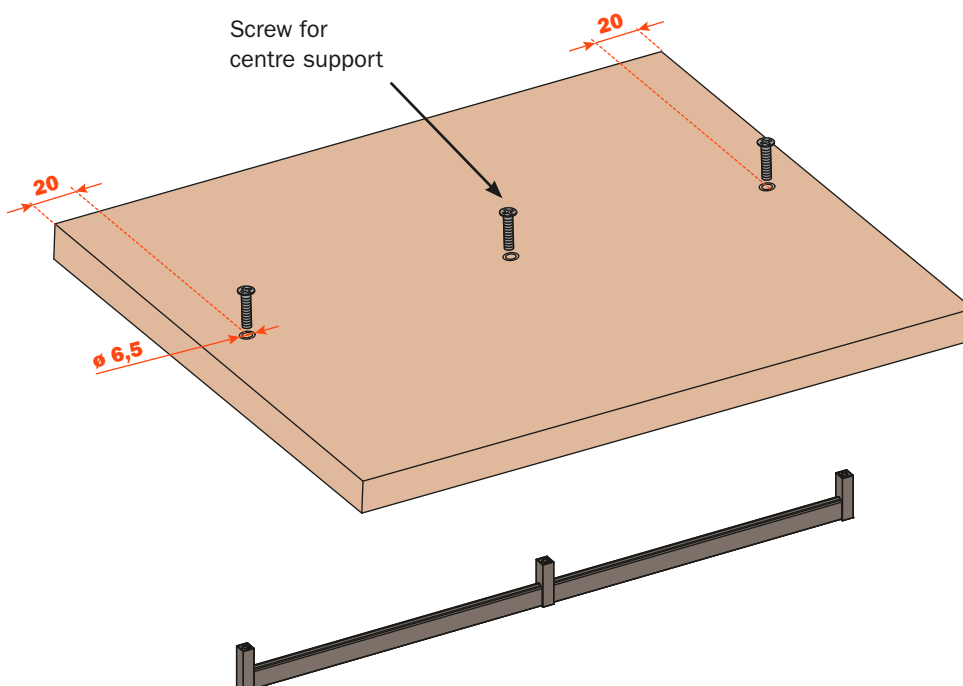
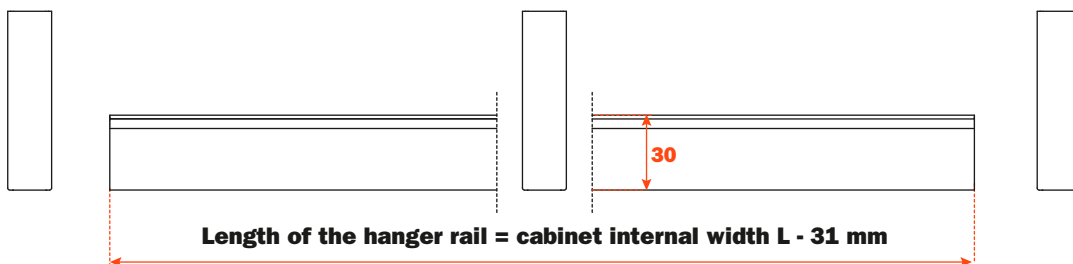
- Hanger rail material: epoxy-coated aluminium, section 15 x 30 mm
- Supports material: epoxy-coated die-cast
- Finish: metal grey brown
- Packing: 20 pieces per box
- Use M6 screw, screws not included
- Screw length = shelf thickness + min. 10 mm/max. 15 mm
- Custom-tailored hanger rail available when ordering more than 20 pieces



L = Cabinet width



Centre support needed for hanger rails with length above 1200 mm or loads of more than 15 kg

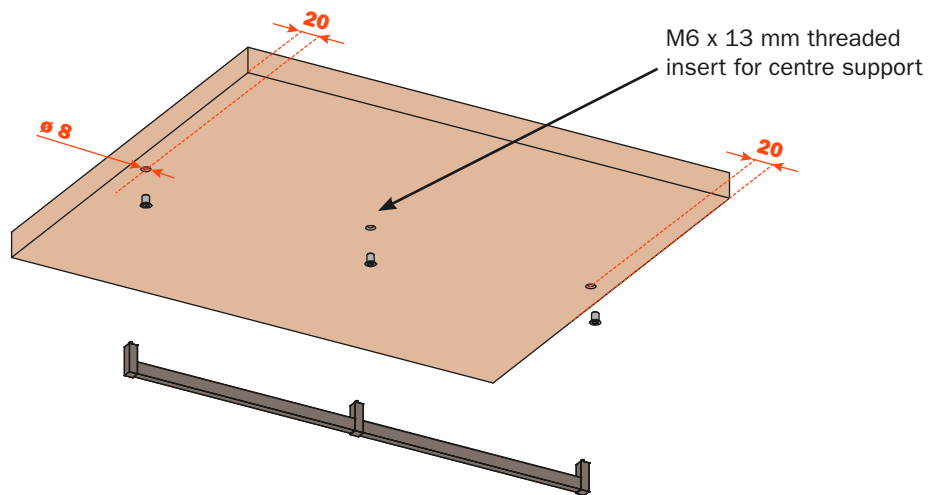
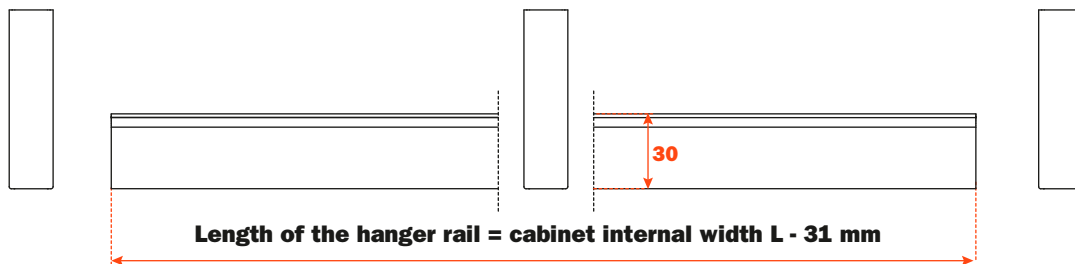
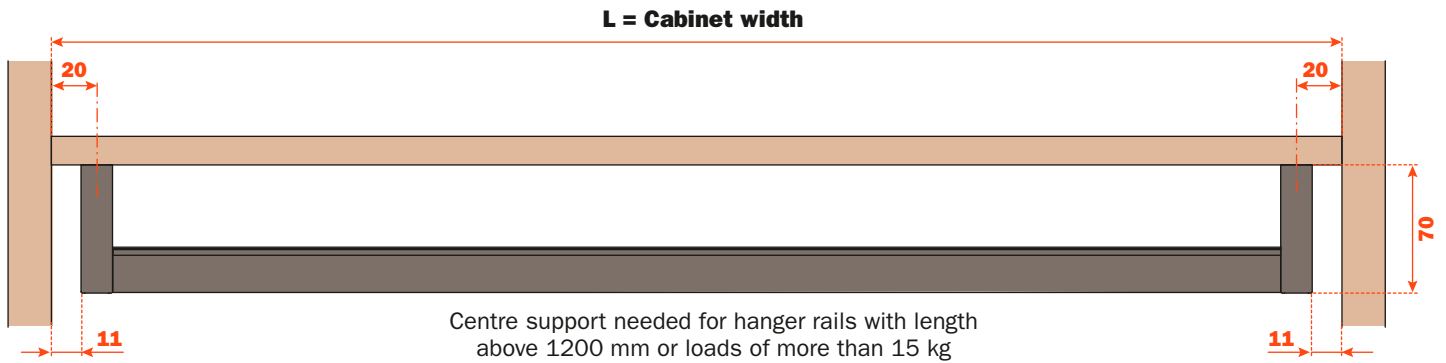
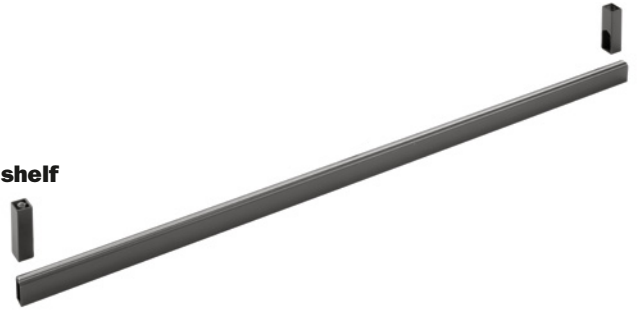


- VE80DAHA0133B** = Hanger rail for clothes, length 1000 mm
- VE80DAHA0233B** = Hanger rail for clothes, length 1500 mm
- VE80DAHA1233B** = End supports for hanger rail
- VE80DAHA1333B** = Centre support for hanger rail

FIXING UNDER THE SHELF

Hanging rail for clothes hangers with support brackets, for wooden shelf

- Hanger rail material: epoxy-coated aluminium, section 15 x 30 mm
- Supports material: epoxy-coated die-cast
- Finish: metal grey brown
- Packing: 20 pieces per box, threaded inserts and pins included
- Custom-tailored hanger rail available when ordering more than 20 pieces

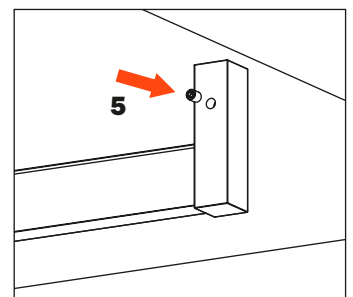
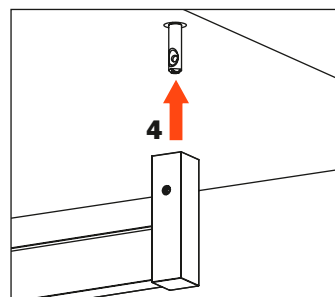
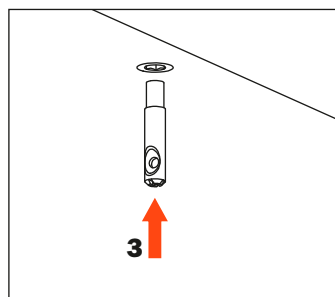
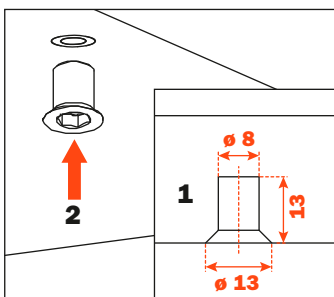


Drill the shelf and screw in the threaded inserts

Insert the pins into the threaded inserts

Insert the support brackets

Tighten the grub screws



Excessories - hang

VE80DAHA0133B = Hanger rail for clothes, length 1000 mm

VE80DAHA0233B = Hanger rail for clothes, length 1500 mm

VE80GMRA00633B = End supports for hanger rail (without back cover)

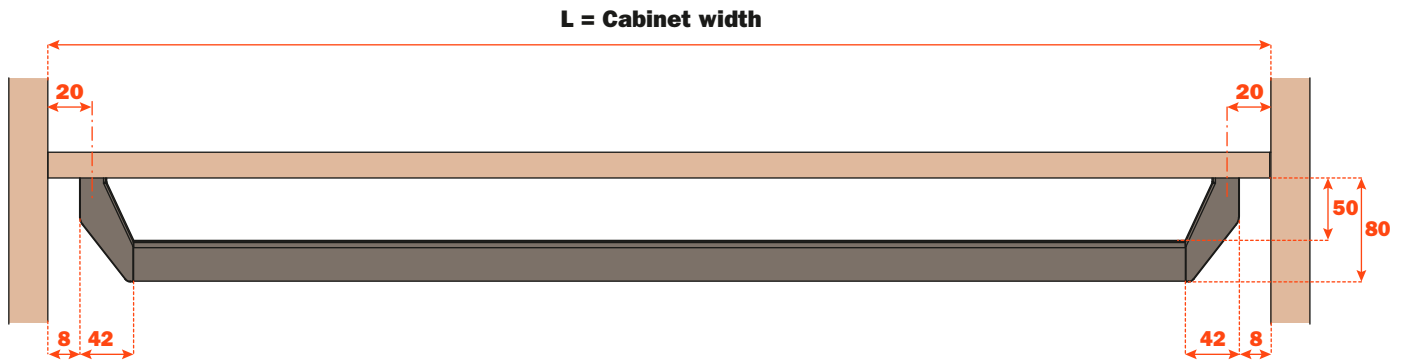
VE80GMRA01733B = End supports for hanger rail (with back cover)

VE80GMRA00733B = Centre support for hanger rail

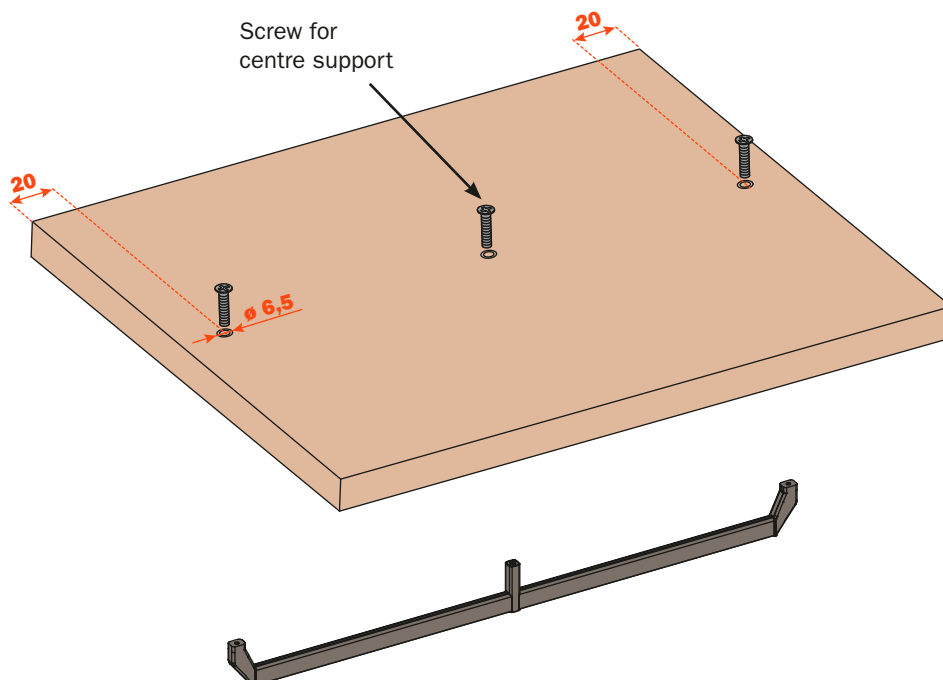
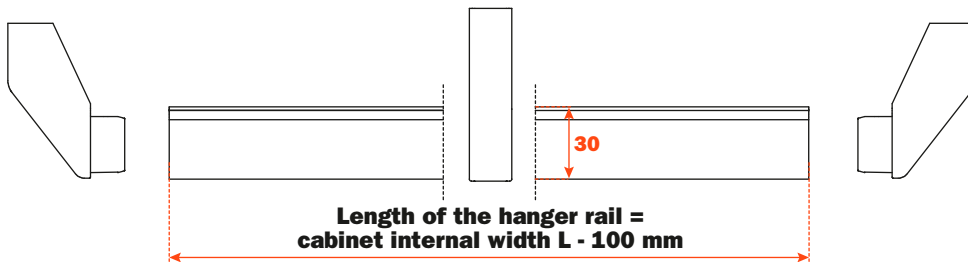
FIXING FROM THE TOP OF THE CABINET

Hangng rail for clothes hangers with support brackets, for wooden shelf

- Hanger rail material: epoxy-coated aluminium, section 15 x 30 mm
- Supports material: epoxy-coated die-cast
- Finish: metal grey brown
- Packing: 20 pieces per box
- Use M6 screw, screws not included
- Screw length = shelf thickness + min. 10 mm/max. 15 mm
- Custom-tailored hanger rail available when ordering more than 20 pieces



Centre support needed for hanger rails with length above 1200 mm or loads of more than 15 kg



- VE80DAHA0133B** = Hanger rail for clothes, length 1000 mm
- VE80DAHA0233B** = Hanger rail for clothes, length 1500 mm
- VE80GMRA00833B** = End supports for hanger rail (without back cover)
- VE80GMRA01633B** = End supports for hanger rail (with back cover)
- VE80GMRA00933B** = Centre support for hanger rail

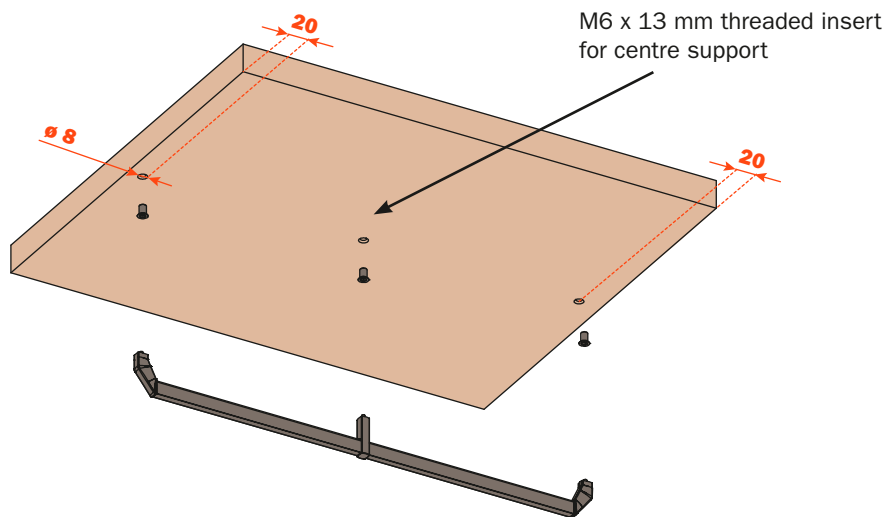
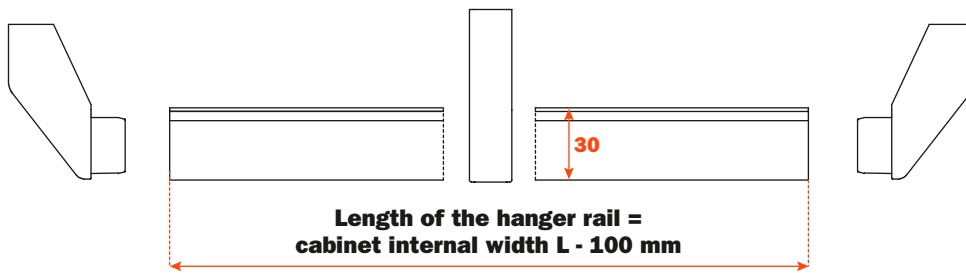
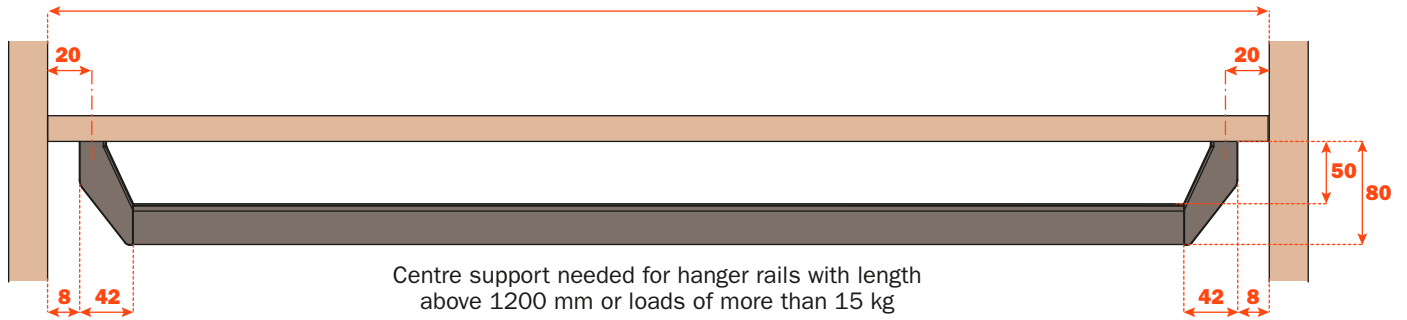
FIXING UNDER THE SHELF

Hanging rail for clothes hangers with support brackets, for wooden shelf

- Hanger rail material: epoxy-coated aluminium, section 15 x 30 mm
- Supports material: epoxy-coated die-cast
- Finish: metal grey brown
- Packing: 20 pieces per box, threaded inserts and pins included
- Custom-tailored hanger rail available when ordering more than 20 pieces



L = Cabinet width



Drill the shelf and screw in the threaded inserts

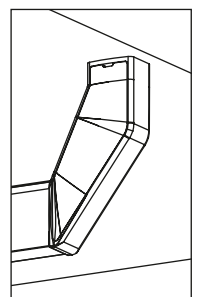
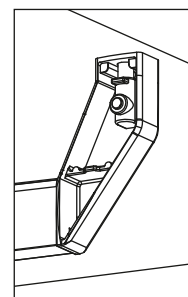
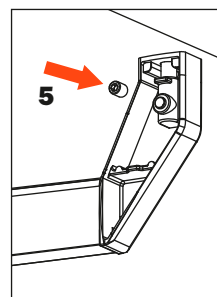
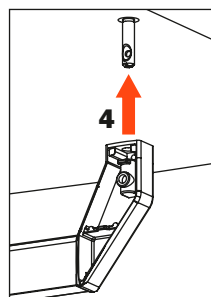
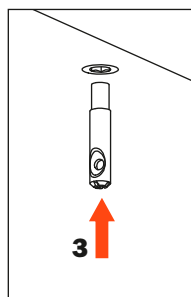
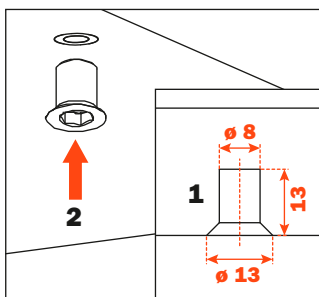
Insert the pins into the threaded inserts

Insert the support brackets

Tighten the grub screws

Version without back cover

Version with back cover

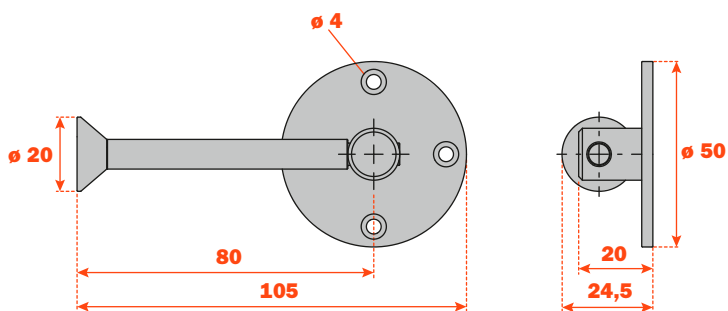
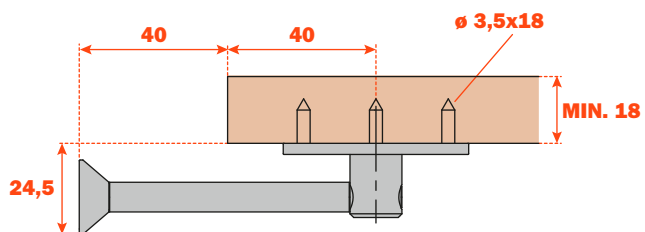


Excessories - hang

VE80DAVA0480B

Swivel hanger fixed under the shelf

- Load capacity: 10 Kg
- Material: steel
- Finish: nickel
- Packing: 20 pieces per box



VE80DAVA0180B = Cap in nickel finish

VE80DAVA10C3B = Cap in metal grey brown finish

Pull-out hanger

- Load capacity: 10 Kg
- Material: steel
- Finish: nickel
- Packing: 20 pieces per box

