

# Excessories - shelves - aluminum frame H 36

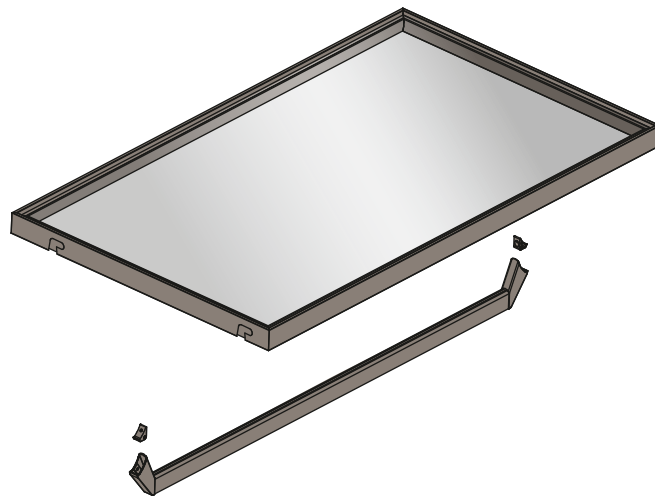
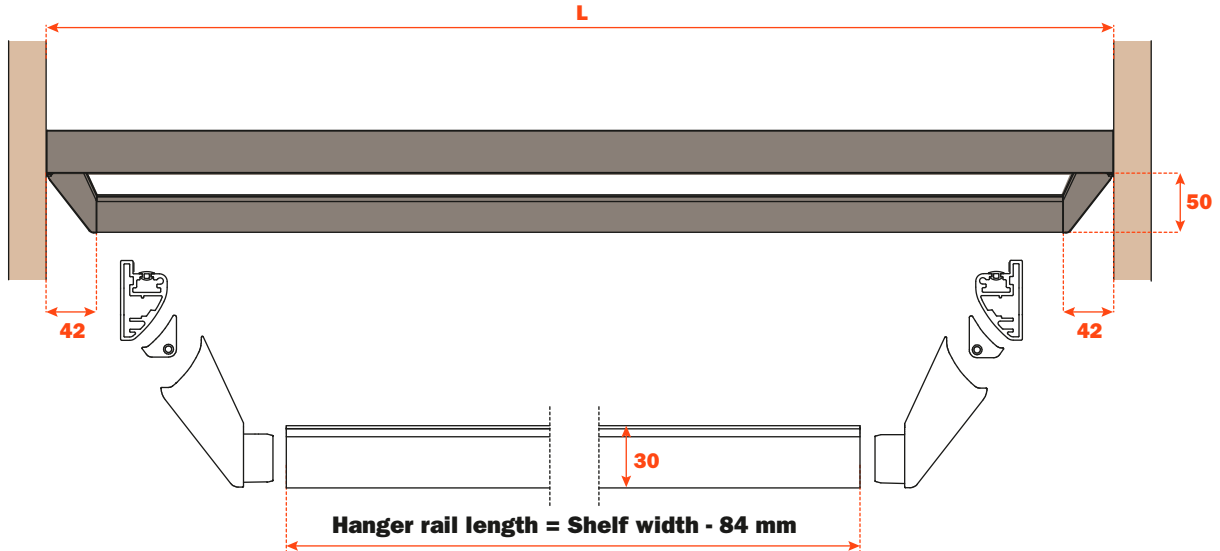
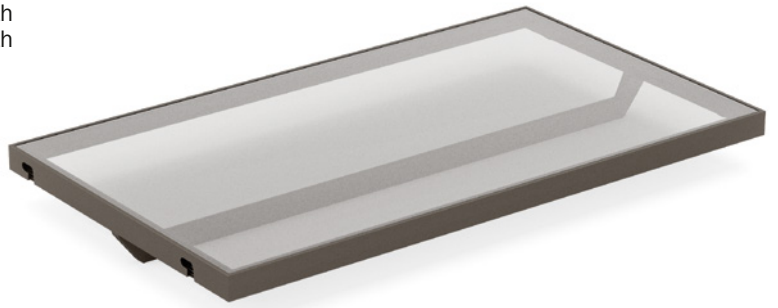
**YE80DAHA0133B** = Hanger rail for clothes, 1000 mm length

**YE80DAHA0233B** = Hanger rail for clothes, 1500 mm length

**YE80GMRA00533B** = Side rail-holder supports

## Hanger rail for clothes and rail-holder supports for shelf with aluminum frame

- Hanger rail material: epoxy-coated aluminum, section 15 x 30 mm
- Supports material: epoxy-coated die-cast
- Finish: metal grey brown
- Max. recommended load capacity:
  - up to 1200 mm width: 30 Kg
  - from 1201 mm to 1500 mm width: 15 Kg
- Packing: 20 pieces per box, screws included
- Custom-length hanging rail available when ordering more than 20 pieces



Screw-fix the adapters to the shelf

Insert the hanger rail into the rail-holders and insert them into the adapters

Screw-fix the rail-holders to the adapters

Front view

