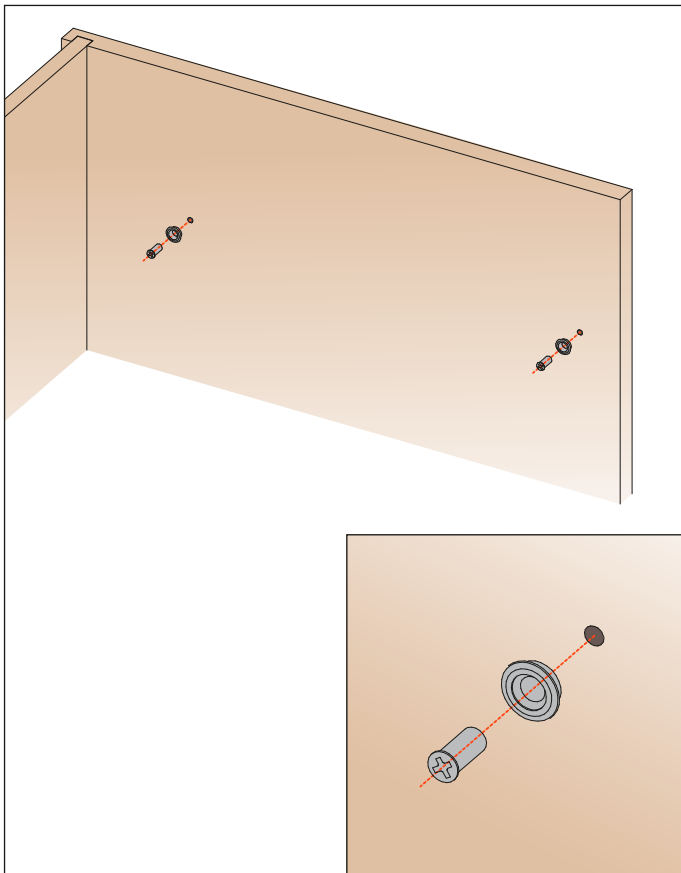
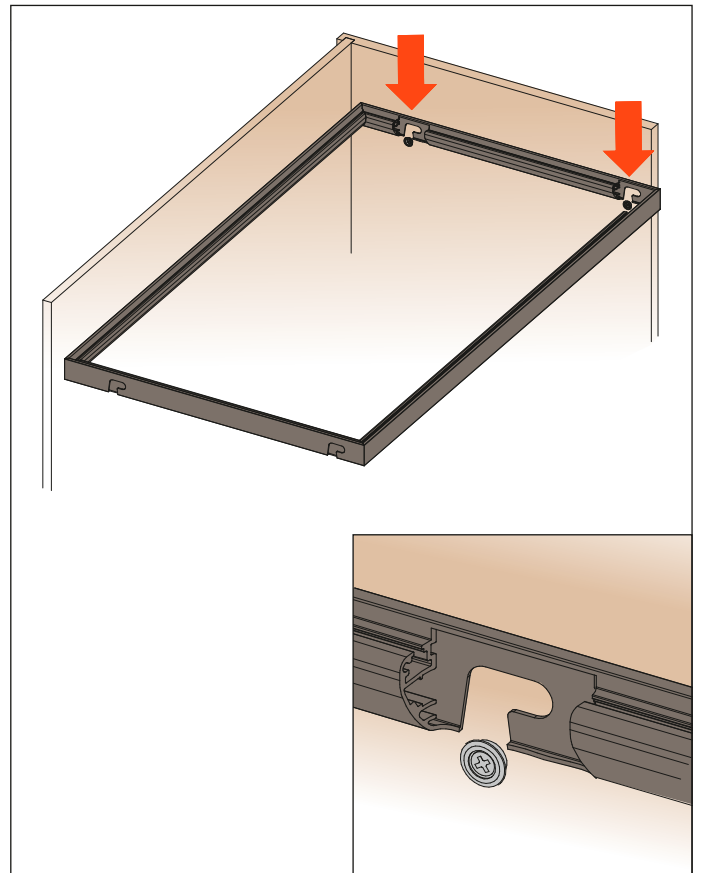


Excessories - shelves - aluminium frame - assembly instructions

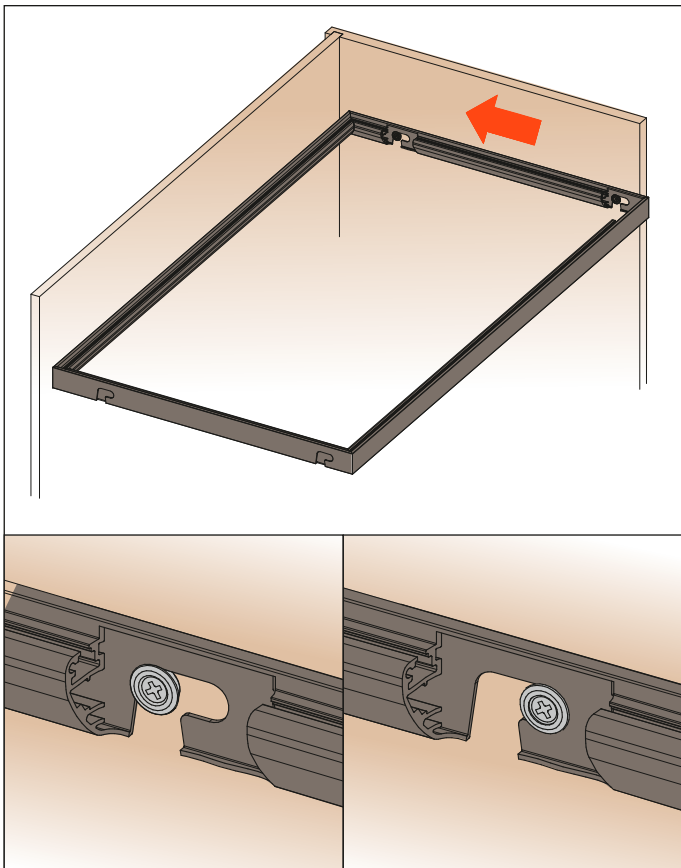
1. Screw-fix the supports to the cabinet side



2. Place the shelf onto the supports



3. Slide the shelf backwards to secure it on the support



4. Insert the locking clips

