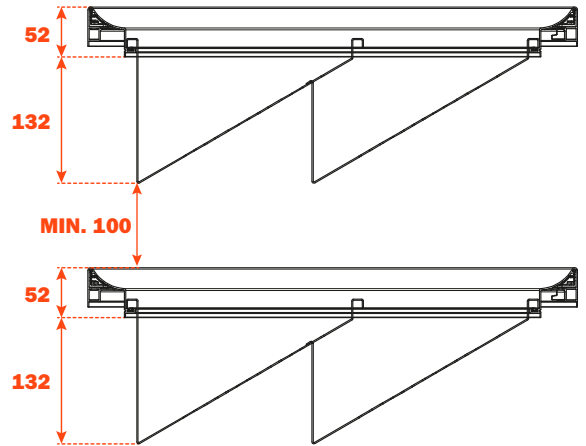
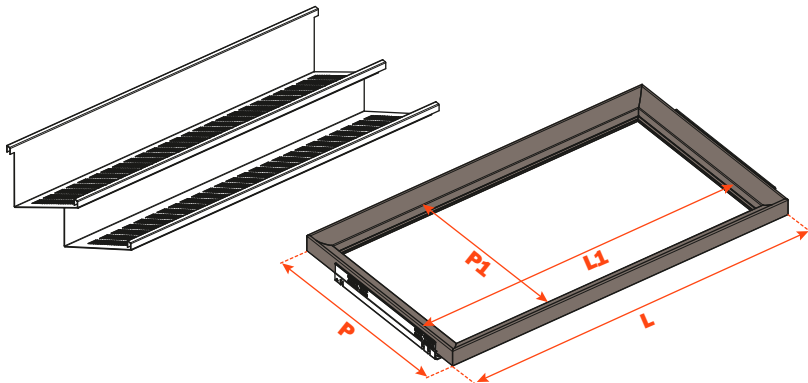
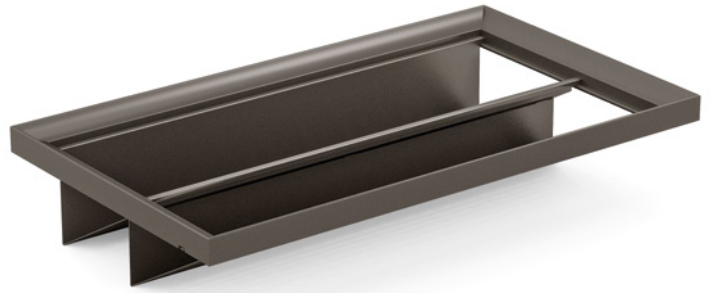


Excessories - pull-out - metal shoe rack for drawer

Shoe rack for drawer

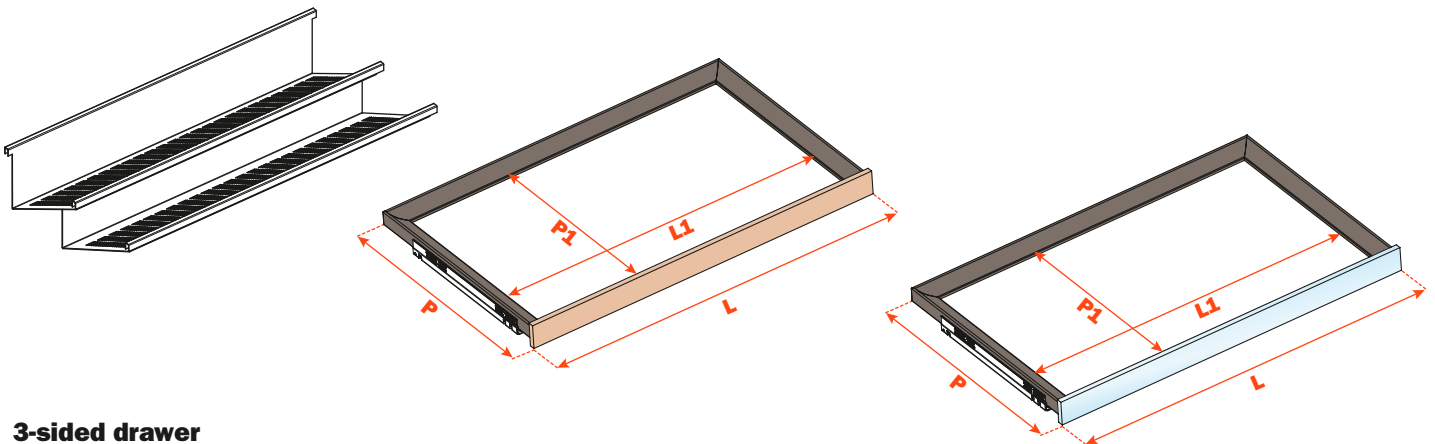
- Shoe rack material: coated perforated metal sheet
- Finish: metal grey brown
- Max. width: 1500 mm
- Made in two pieces
- Easy to install, it requires no fixing
- It holds two rows of shoes
- It can be upgraded with 2 imitation leather base inserts



LV = cabinet width

4-sided drawer

Runner length (LN) mm	Drawer width (L) mm	Internal width (L1) mm	Drawer depth (P) mm	Internal depth (P1) mm
450	LV - 15	L - 80	490	410
470			510	430



3-sided drawer

Runner length (LN) mm	Drawer width (L) mm	Internal width (L1) mm	3-SIDED drawer depth (P) mm + wooden frontal 12 mm or glass frontal 6+6 mm	3-SIDED drawer depth (P) mm + wooden frontal 19 mm or glass frontal 6+13 mm	Internal depth (P1) mm
450	LV - 15	L - 80	490	497	438
470			510	517	458

Imitation leather inserts to be ordered separately.

Finish code number on page 46

