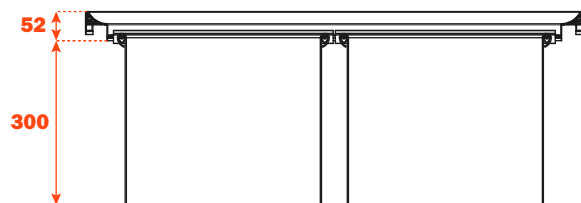
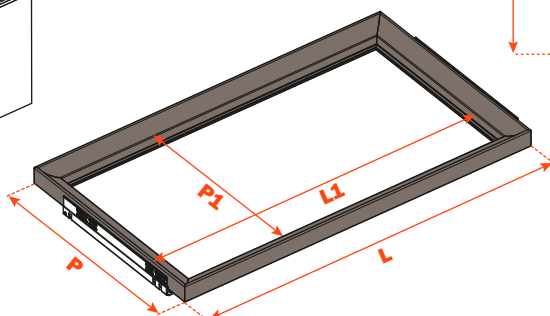
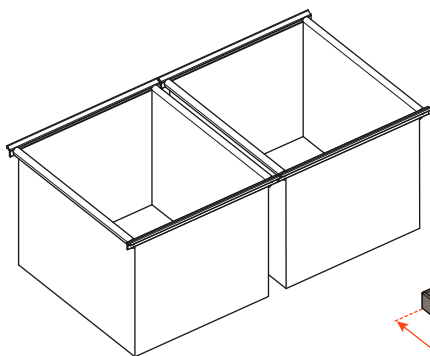


Excessories - pull-out - bed linen storage for drawer

Bed linen storage for drawer

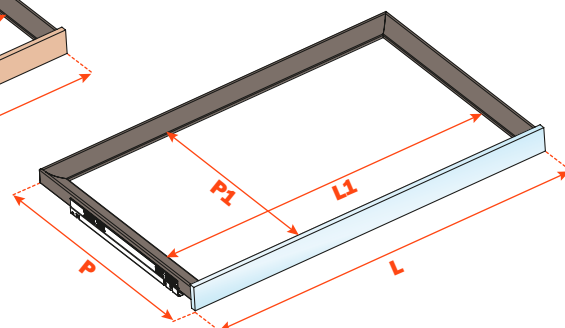
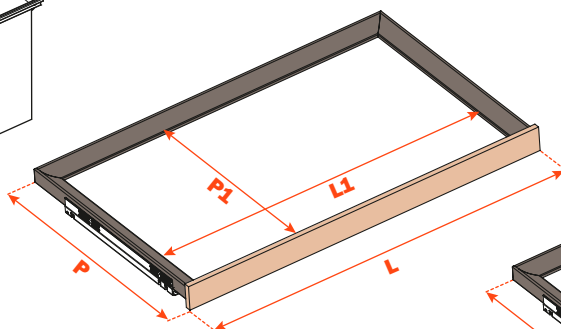
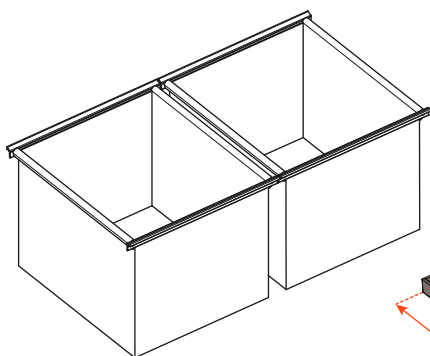
- Structure material: aluminium coated with epoxy-based powder
- Finish: metal grey brown
- The containers are made of quilted fabric in Tasmania grey, easily removable from the frame thanks to Velcro fastenings
- Custom-made according to the drawer dimensions:
 - Up to 700 mm width use 1 container
 - From 700 mm width use 2 containers



LV = cabinet width

4-sided drawer

Runner length (LN) mm	Drawer width (L) mm	Internal width (L1) mm	4-SIDED drawer depth (P) mm	Internal depth (P1) mm
350	LV - 15	L - 80	390	310
400			440	360
450			490	410
470			510	430



3-sided drawer

Runner length (LN) mm	Drawer width (L) mm	Internal width (L1) mm	3-SIDED drawer depth (P) mm + wooden frontal 12 mm or glass frontal 6+6 mm	3-SIDED drawer depth (P) mm + wooden frontal 19 mm or glass frontal 6+13 mm	Internal depth (P1) mm
350	LV - 15	L - 80	390	397	338
400			440	447	388
450			490	497	438
470			510	517	458