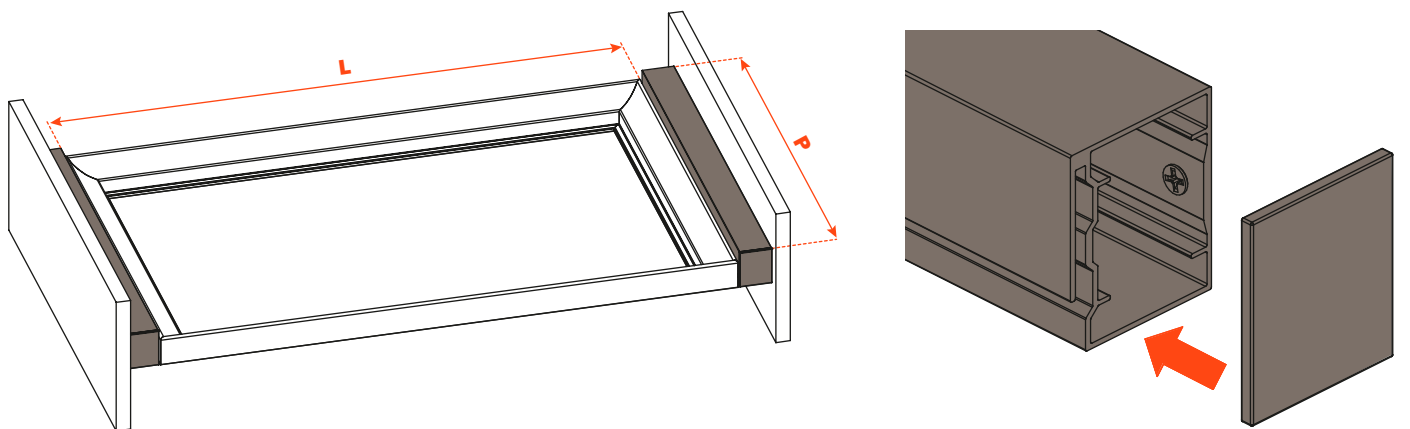
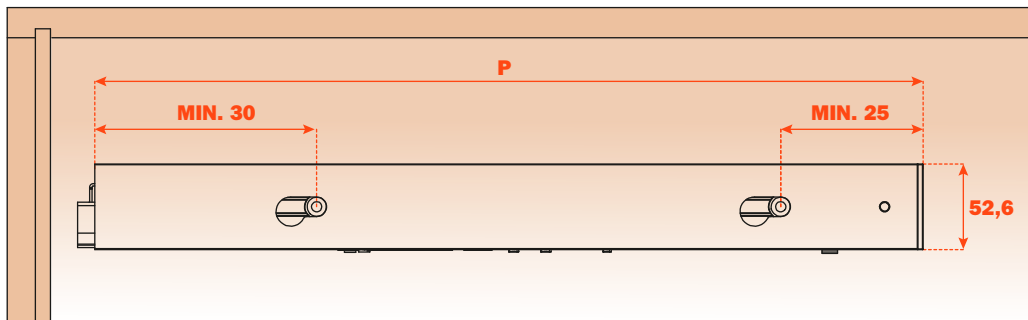
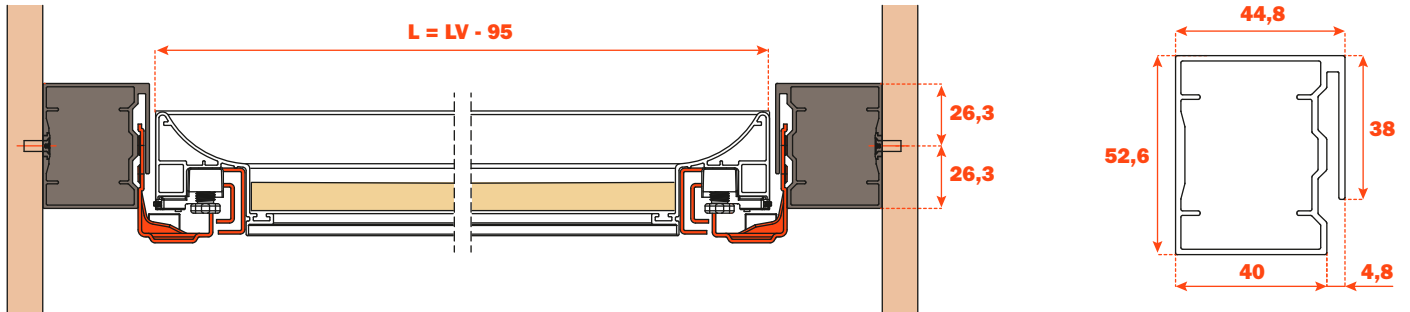


# Excessories - pull-out - spacers

## Spacers

- Material: epoxy-coated aluminum
- Finish: metal grey brown



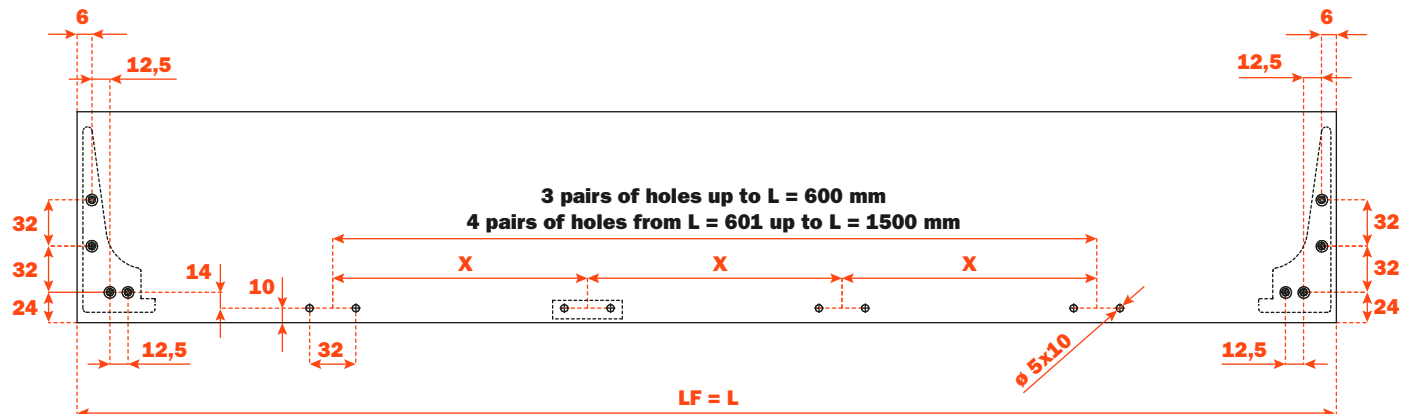
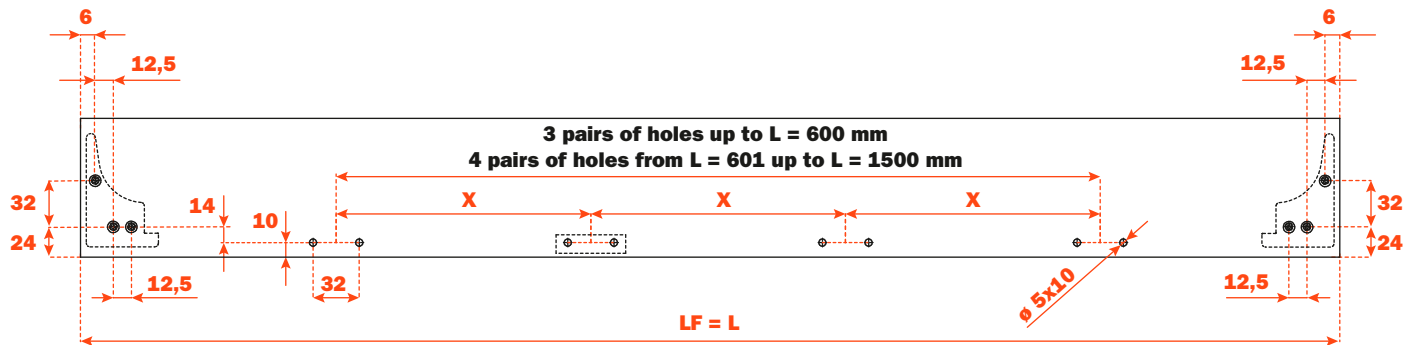
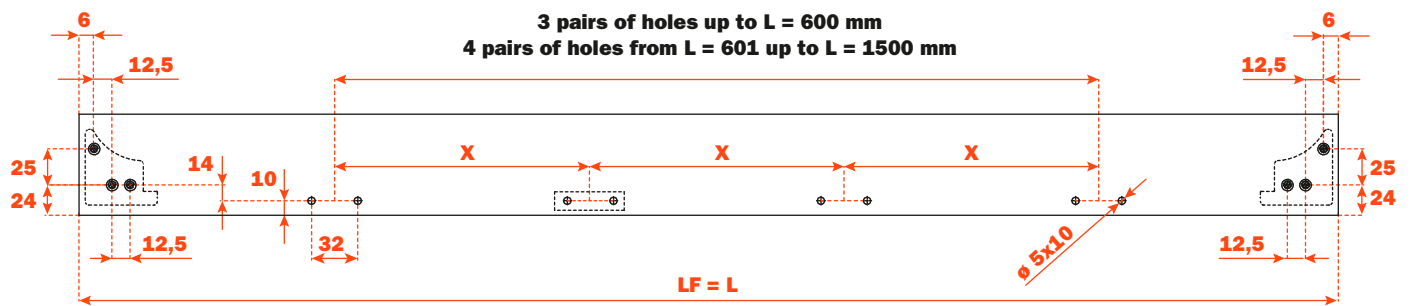
| Runner length (LN) mm | 4-SIDED drawer/spacer depth (P) mm | 3-SIDED drawer/spacer depth (P) mm + wood front 12 mm or glass front 6+6 mm | 3-SIDED drawer/spacer depth (P) mm + wood front 19 mm or glass front 6+13 mm |
|-----------------------|------------------------------------|---|--|
| 350                   | 390                                | 390   | 397  |
| 400                   | 440                                | 440   | 447  |
| 450                   | 490                                | 490   | 497  |
| 470                   | 510                                | 510   | 517  |
| 500                   | 540                                | 540   | 547  |

# Excessories - pull-out - spacers

Spacers with 3-SIDED drawer  
for WOOD FRONT



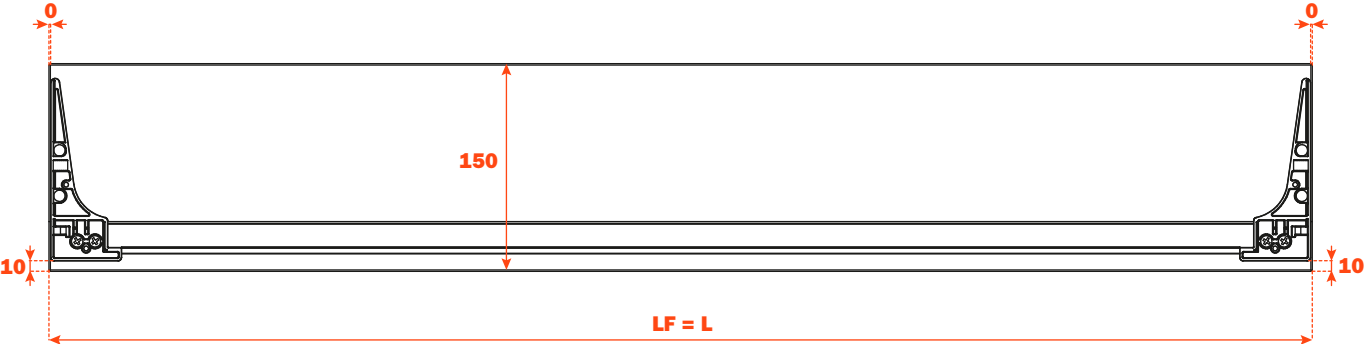
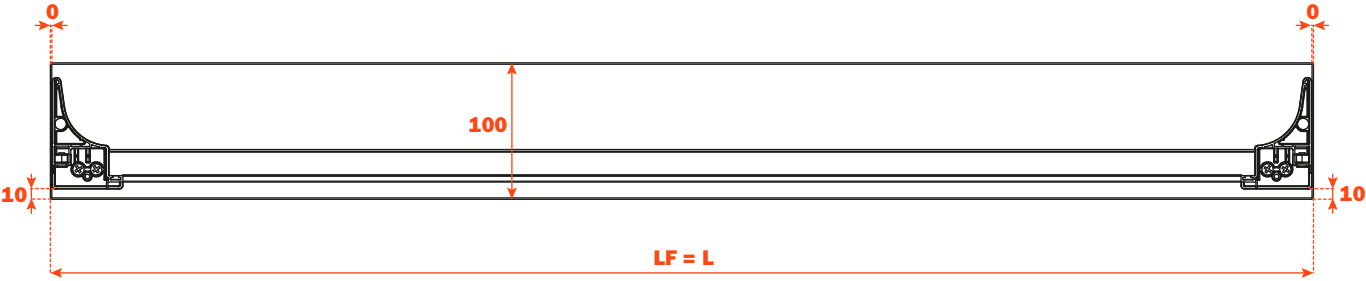
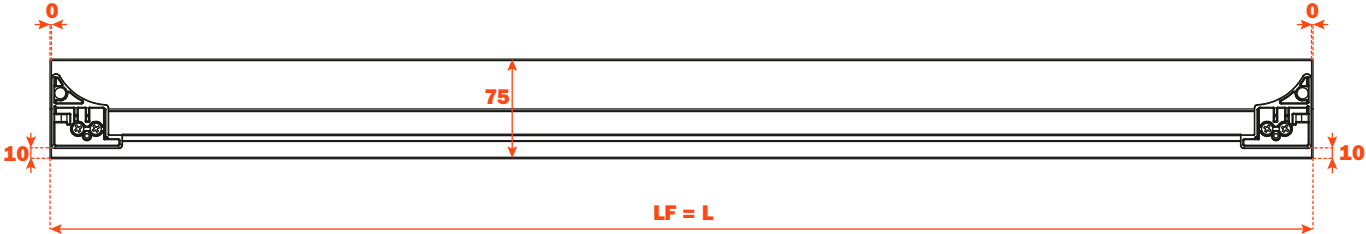
## Front drillings



**Spacers with 3-SIDED drawer  
for GLASS FRONT**



**Fixing the profile to the front**

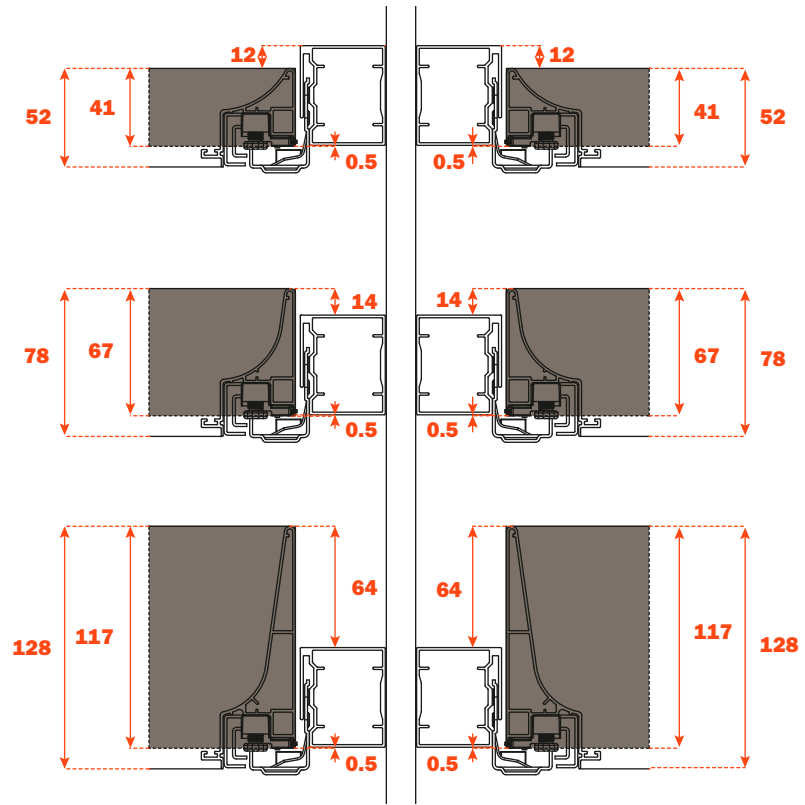


# Excessories - pull-out - spacers

## Guidelines to fix spacers

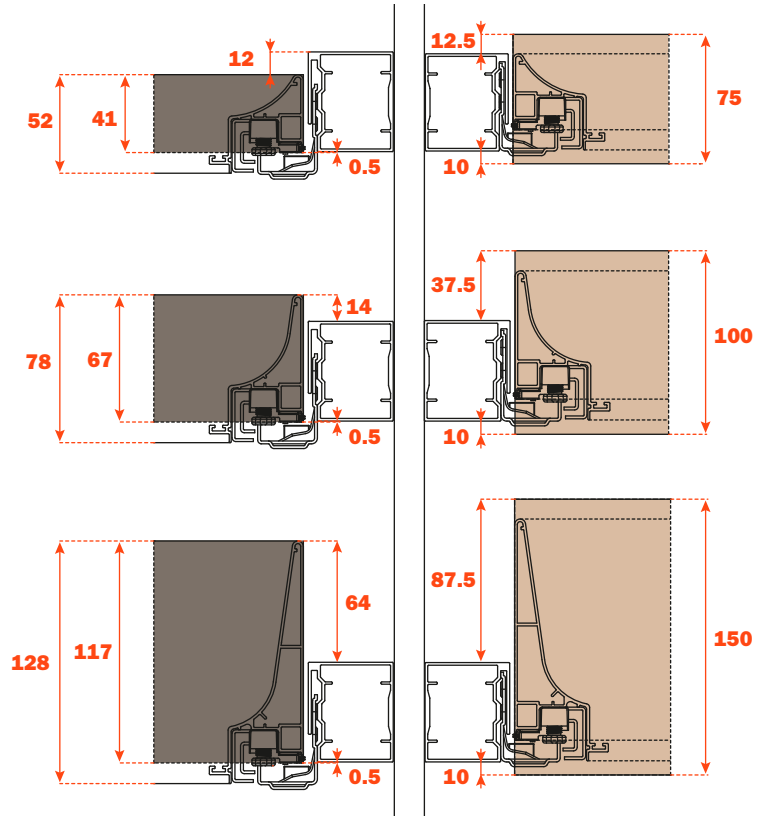
4-SIDED DRAWER

4-SIDED DRAWER

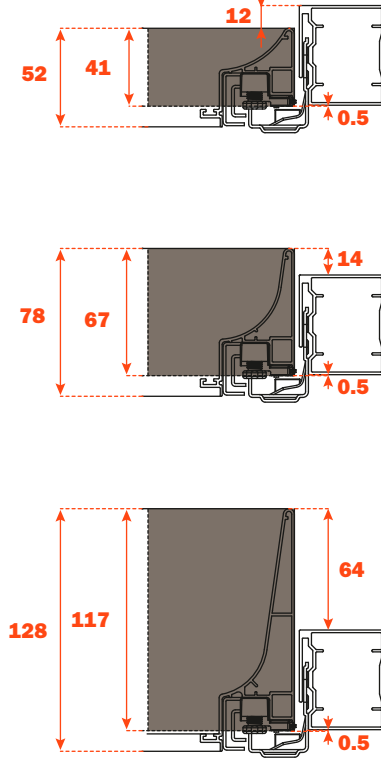


4-SIDED DRAWER

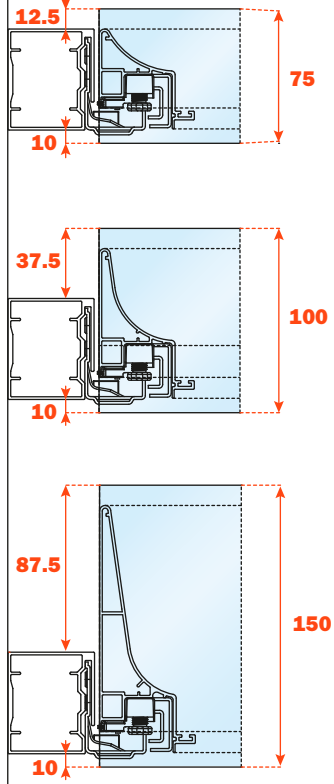
3-SIDED DRAWER FOR WOOD FRONT



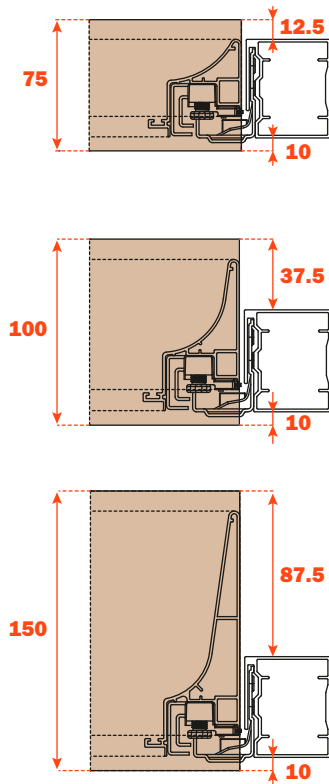
**4-SIDED DRAWER**



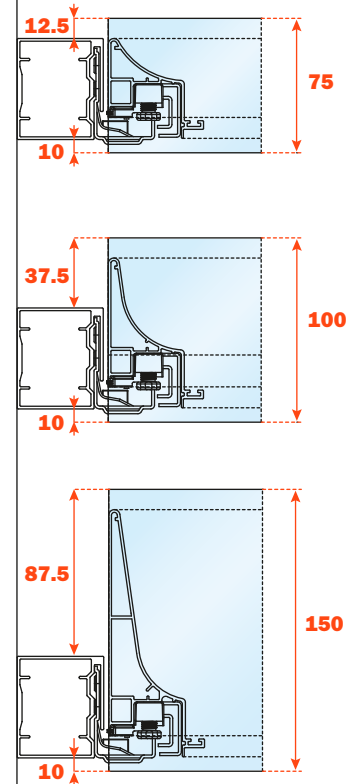
**3-SIDED DRAWER FOR GLASS FRONT**



**3-SIDED DRAWER FOR WOOD FRONT**

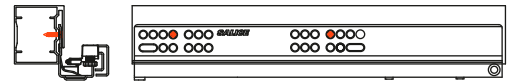


**3-SIDED DRAWER FOR GLASS FRONT**



**FIXING 4-SIDED DRAWERS**

It is recommended that the runners are fixed to the cabinet using the upper holes



**FIXING 3-SIDED DRAWERS**

It is recommended that the runners are fixed to the cabinet using the lower holes

