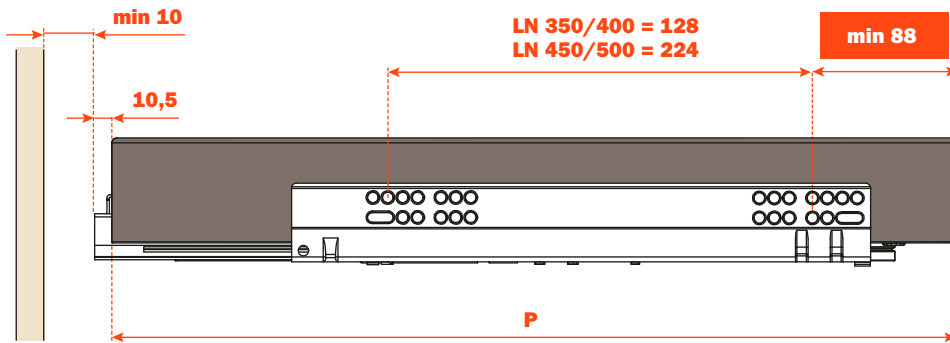
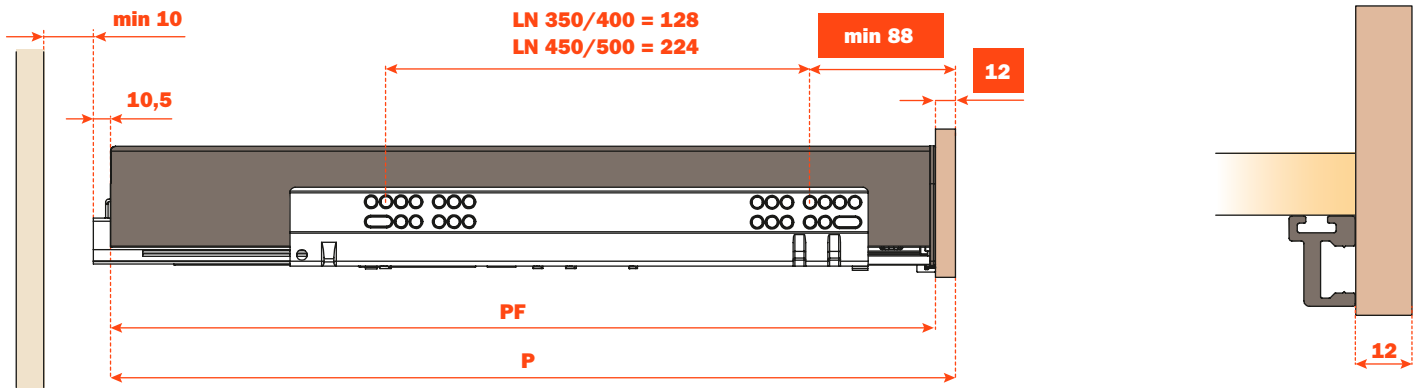


# Excessories - pull-out - technical information

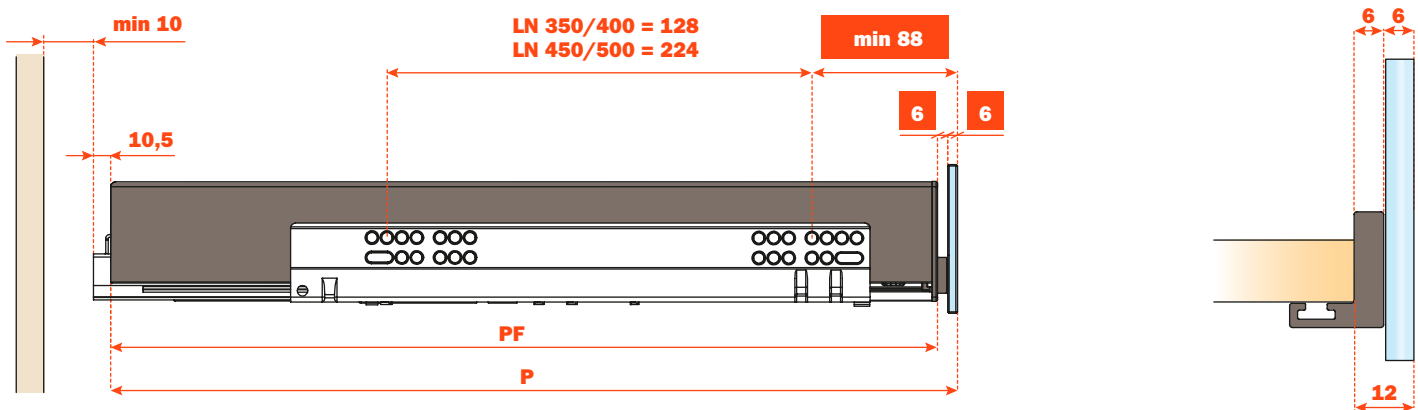
## 4-SIDED drawer



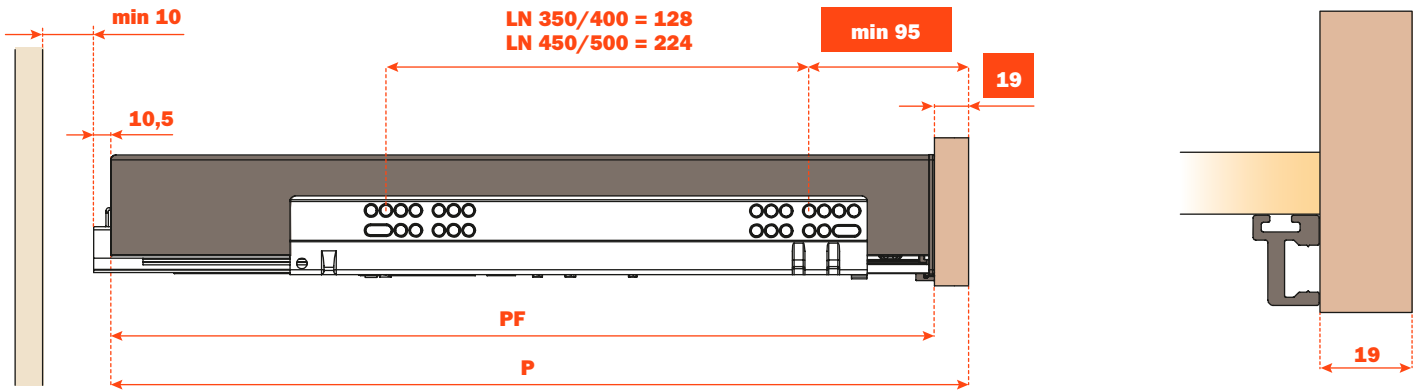
## 3-SIDED drawer For wooden frontal, 12 mm thick



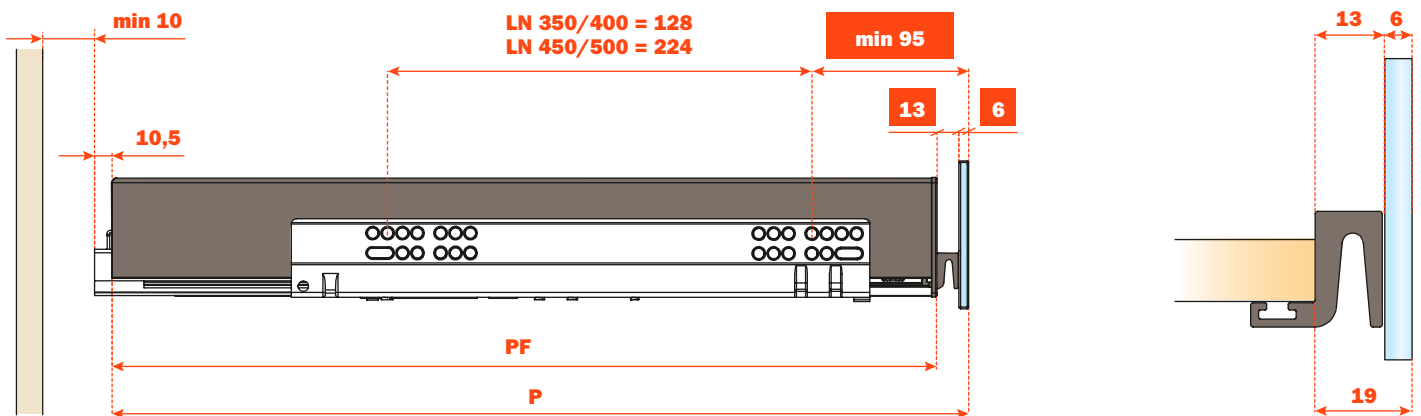
## 3-SIDED drawer For glass frontal, 6 mm thick + profile, 6 mm thick



**3-SIDED drawer**  
**For wooden frontal, 19 mm thick**



**3-SIDED drawer**  
**For glass frontal, 6 mm thick + profile, 13 mm thick**

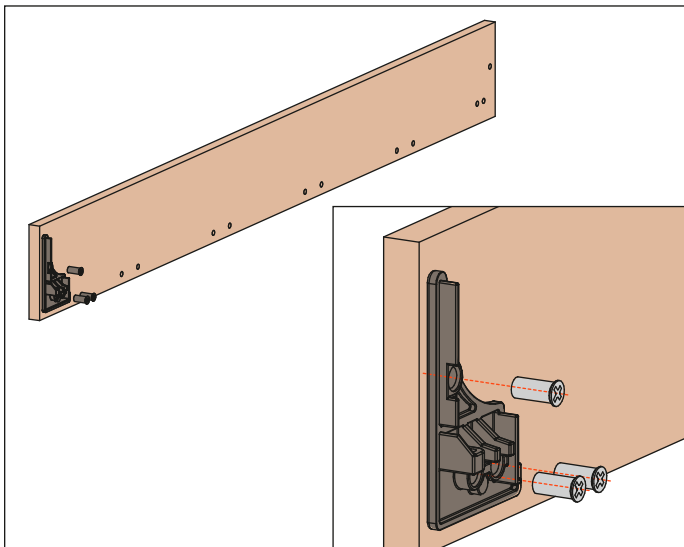


Runner length (LN) mm	Drawer depth (PF) mm	4-SIDED Drawer depth (P) mm	3-SIDED drawer depth (P) mm + wooden frontal, 12 mm thick or glass frontal, 6+6 mm thick	3-SIDED drawer depth (P) mm + wooden frontal, 19 mm thick or glass frontal, 6+13 mm thick
350	378	390	390	397
400	428	440	440	447
450	478	490	490	497
470	498	510	510	517
500	528	540	540	547

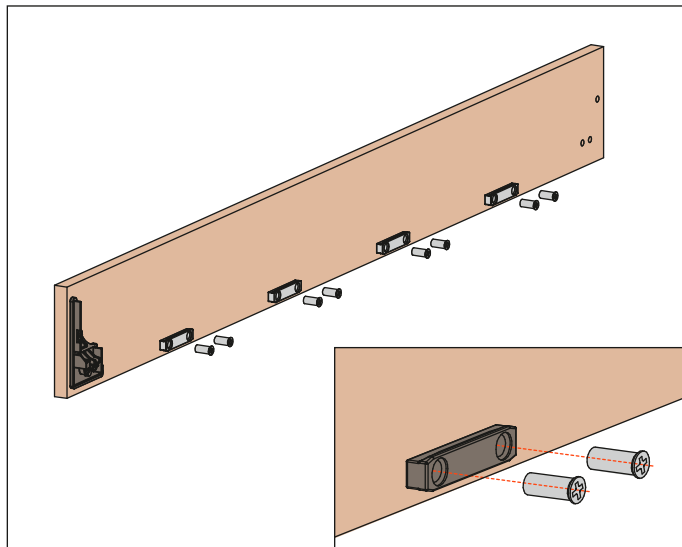
# Excessories - pull-out - assembly instructions

## WOODEN FRONTAL

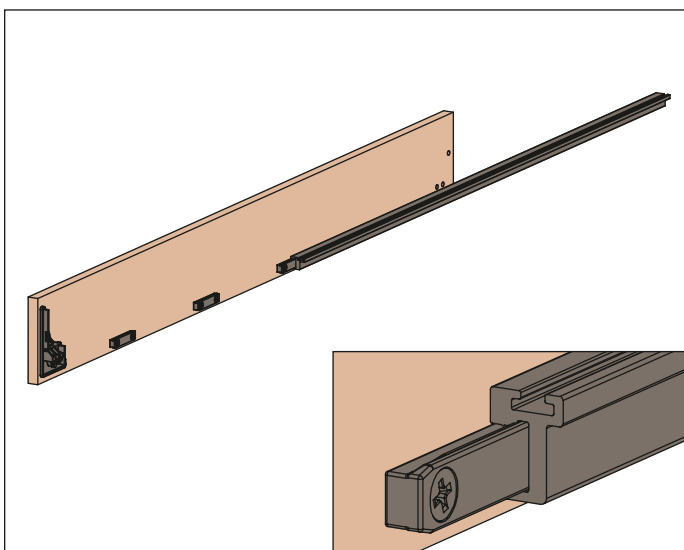
1. Screw the first cap to the frontal



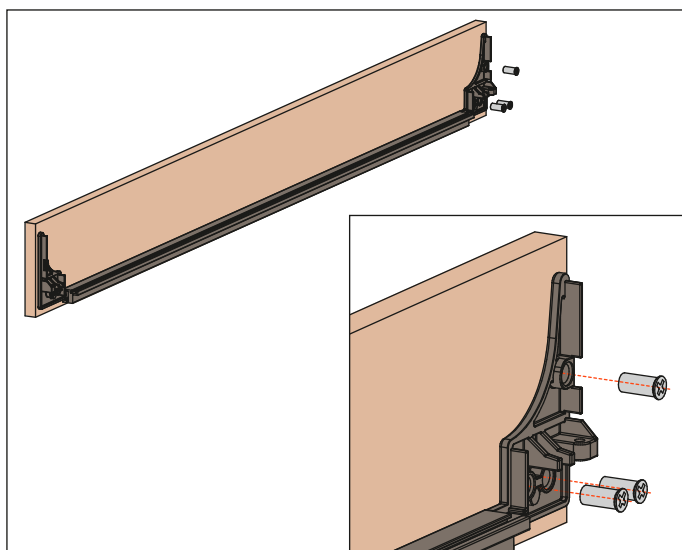
2. Screw the connecting elements to the frontal



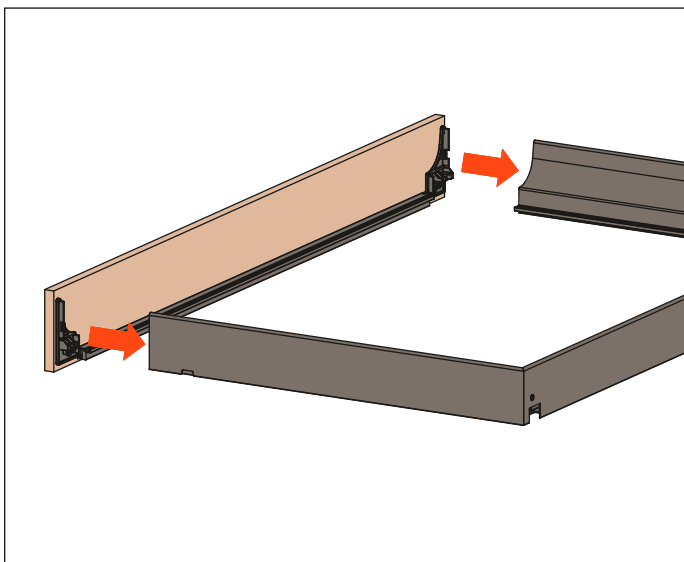
3. Insert and slide the front profile on the connecting elements



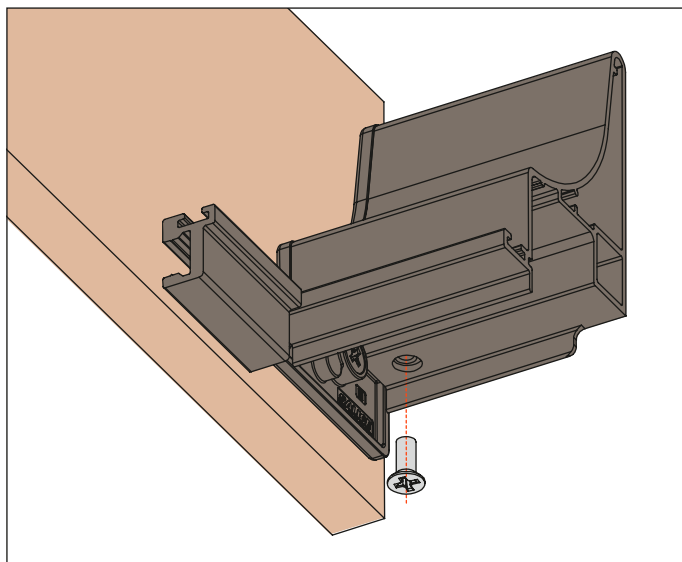
4. Screw the second cap to the frontal



5. Insert the caps in both sides

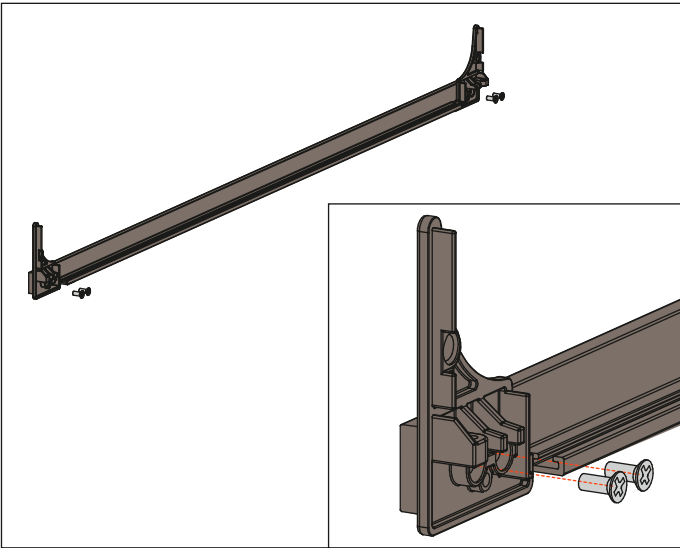


6. Fix the frontal to the drawer

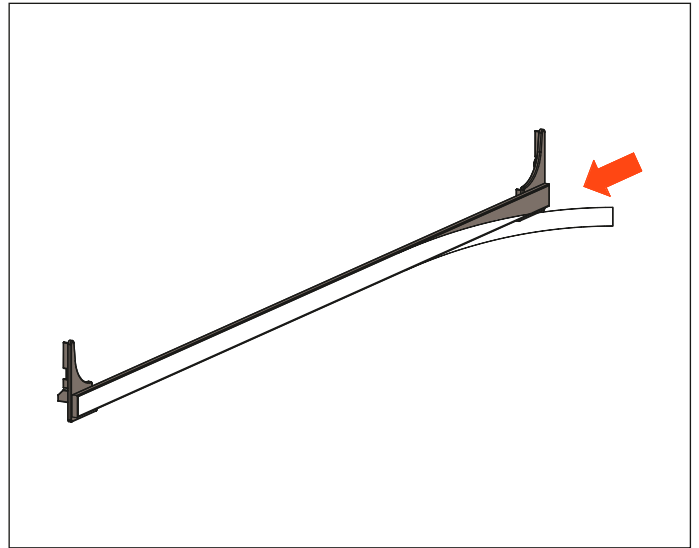


## GLASS FRONTAL

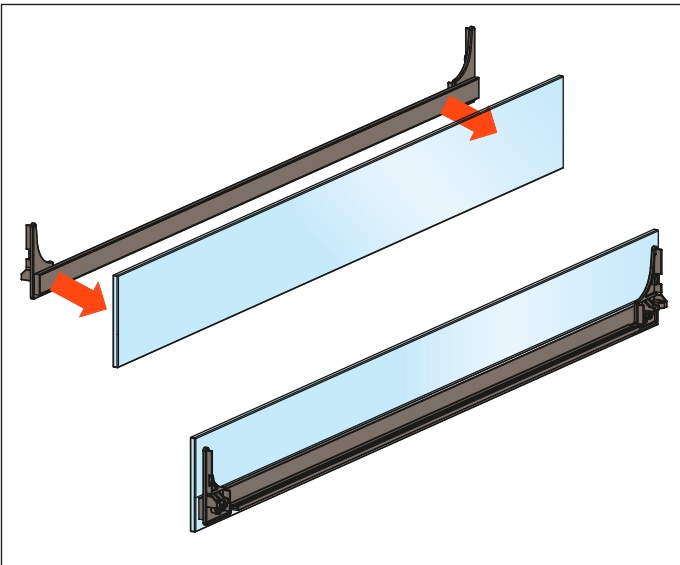
1. Fix the end caps to the front profile



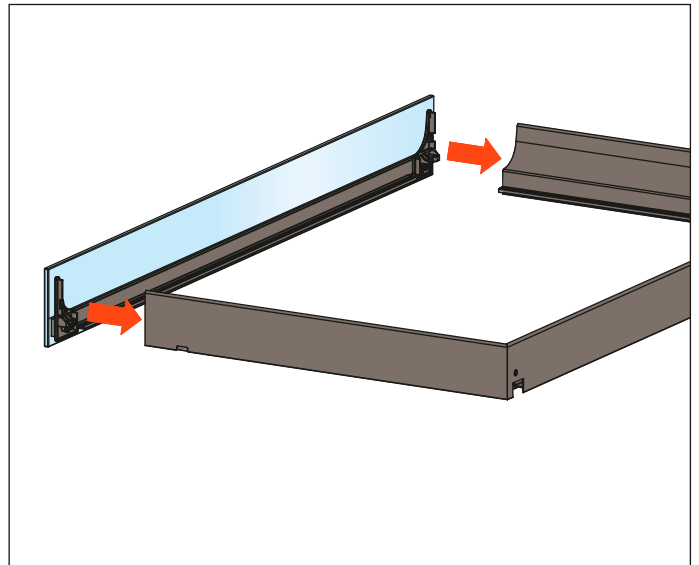
2. Remove the protective film from the adhesive tape that is pre-glued to the profile



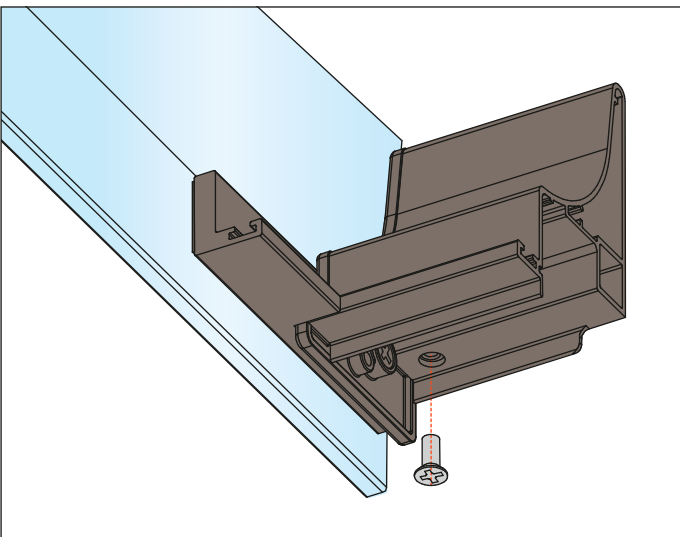
3. Press the profile firmly onto the glass



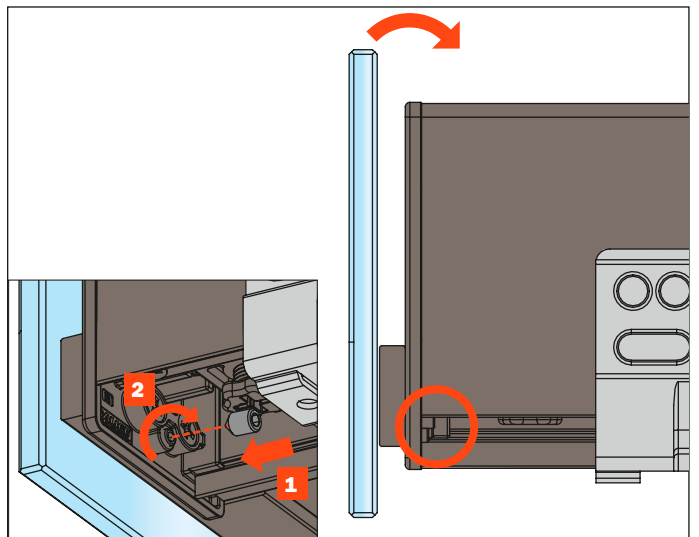
4. Profile fixed to the glass



5. Insert the end caps into the drawer side profile



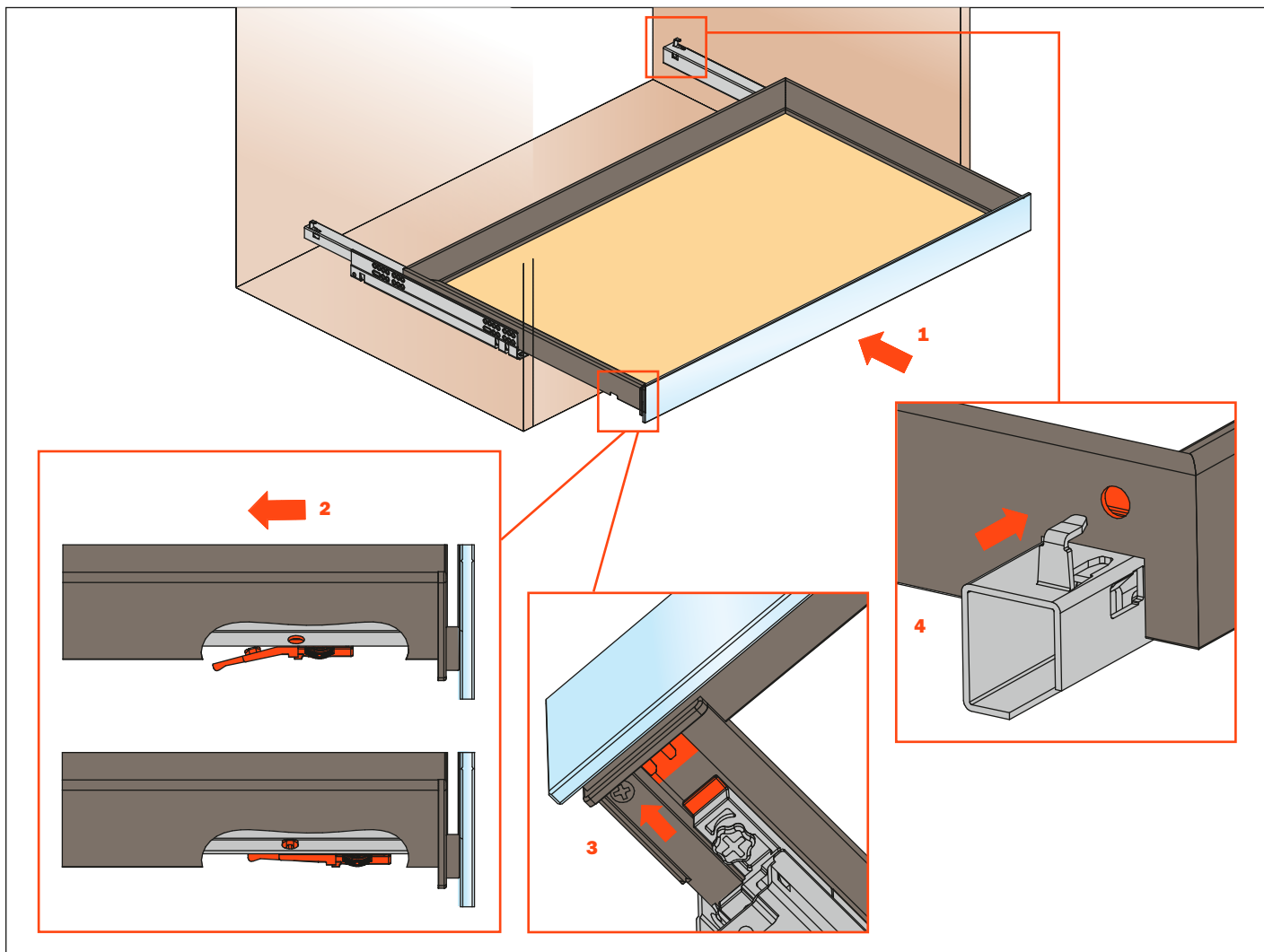
6. Insert the grub screws and rotate them to adjust the frontal



# Excessories - pull-out - technical information

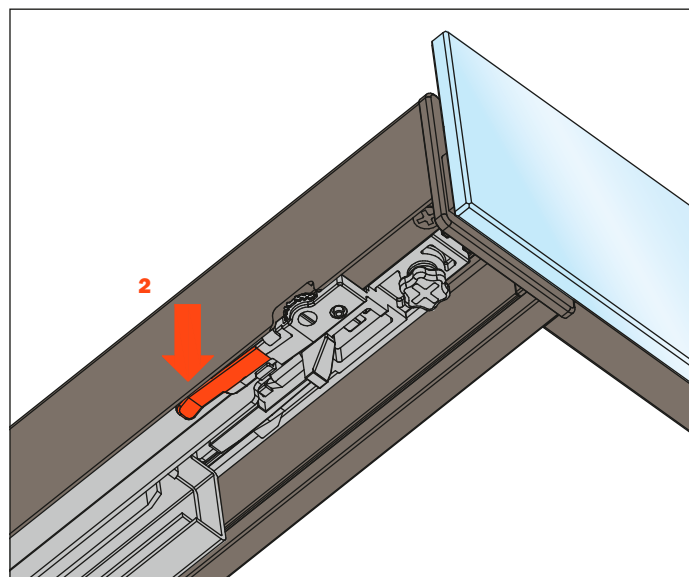
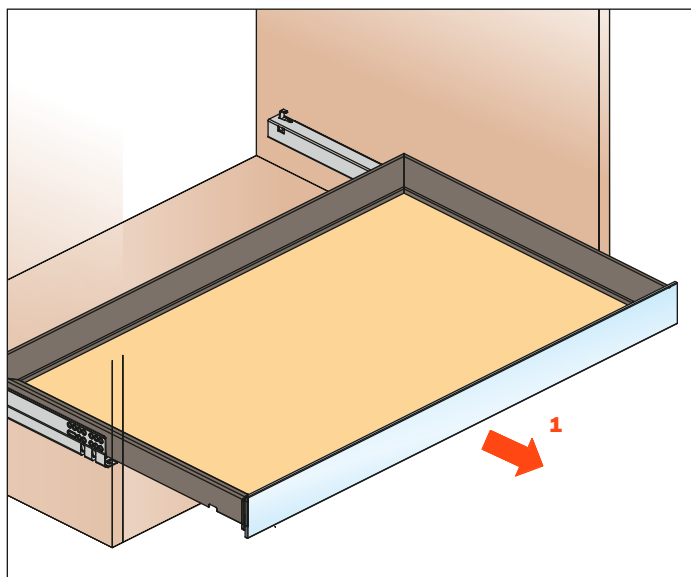
## Mounting the drawer onto the runners

1. Place the drawer on the runners and close it
2. The flexibility of the fixing system enables the clips to engage
3. Engage the locking pin to prevent the overturning of the drawer
4. Locate the rear hooks



## Disassembly of the drawer

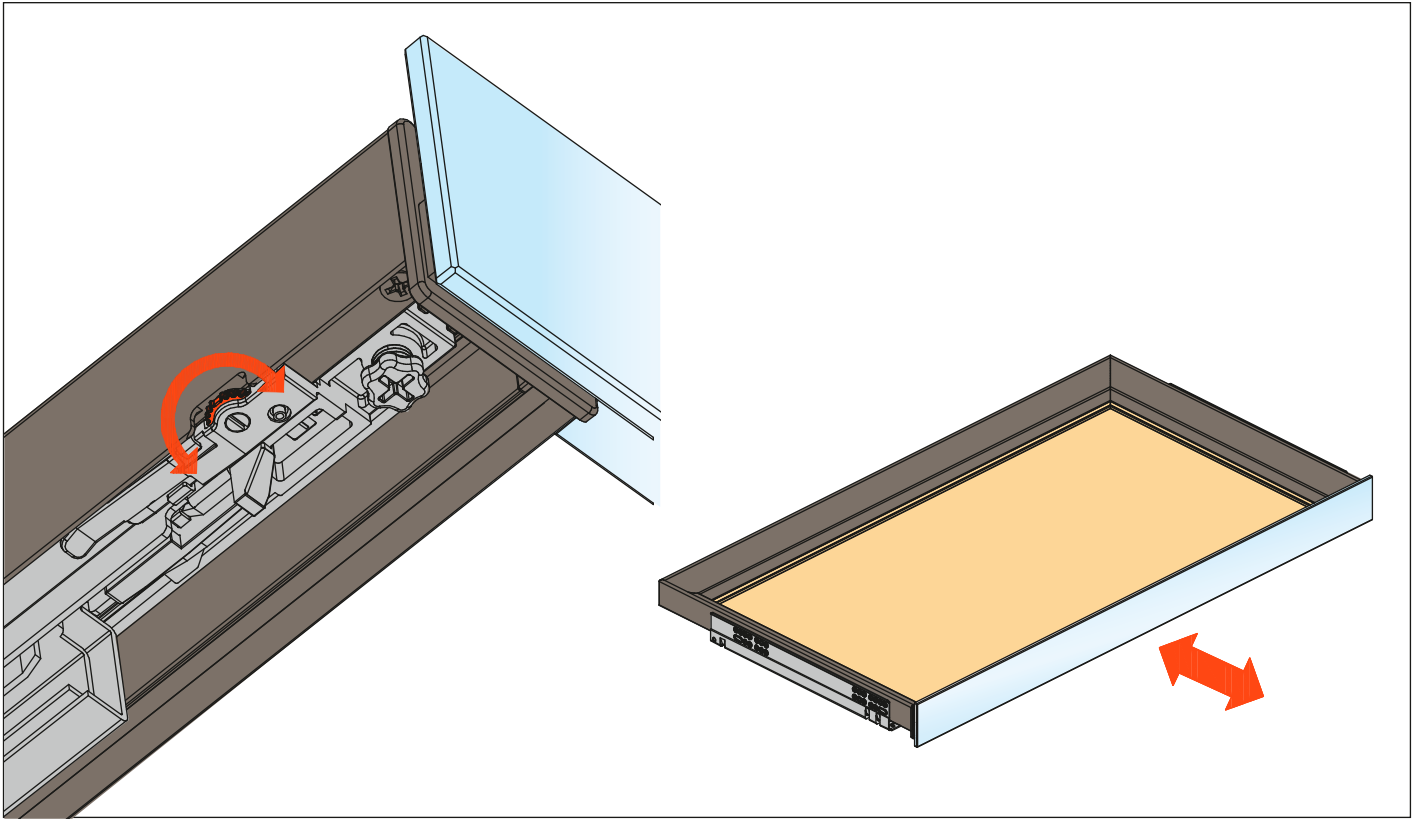
1. Open the drawer
2. Press down the lever indicated here below and pull out the drawer



# Adjustments

## Depth adjustment +2 -2 mm

Rotate the wheel towards the front of the drawer to increase the gap between the front and the side.  
Rotate the wheel towards the back of the drawer to reduce the gap between the front and the side.  
This operation is tool free.



## Height adjustment + 5 mm

Rotate the lever towards the front of the drawer for the height adjustment.  
This operation is tool free.

