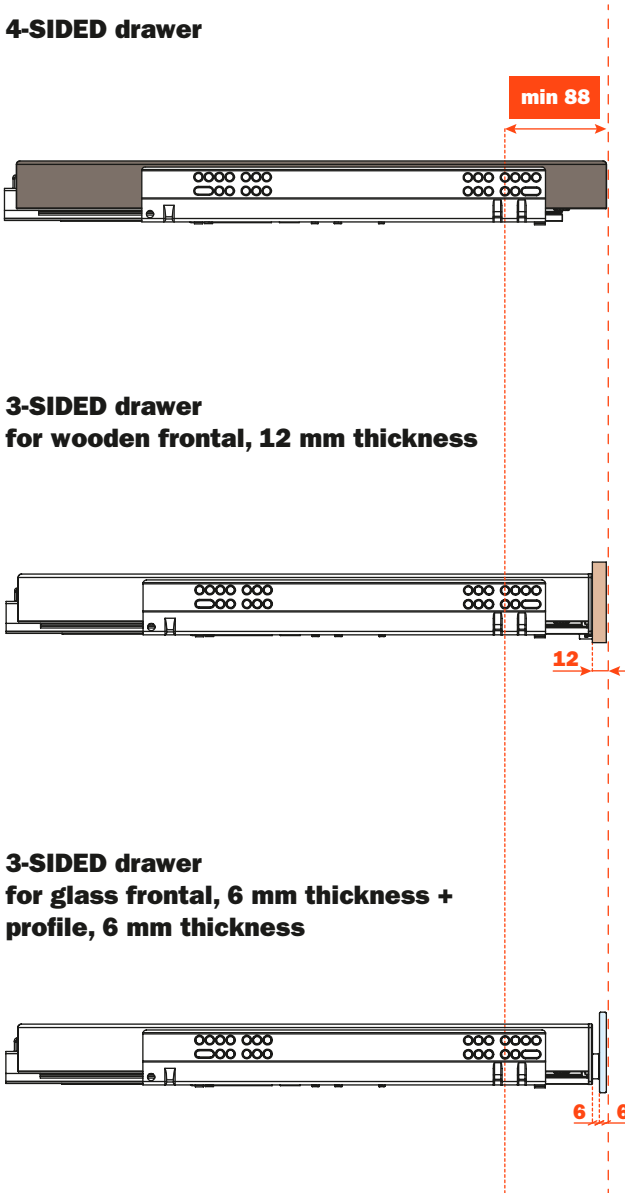


Excessories - pull-out - drawers alignment

With the same side drilling, 4-sided drawers are frontally aligned with 3-sided drawers with wooden frontal (12 mm thickness) and with 3-sided drawers with glass frontal (6 mm thickness + 6 mm profile thickness), as illustrated below.

With the same side drilling, 4-sided drawers are not frontally aligned with 3-sided drawers with wooden frontal (19 mm thickness) and with 3-sided drawers with glass frontal (6 mm thickness + 13 mm profile thickness), as illustrated below.

4-SIDED drawer



4-SIDED drawer

