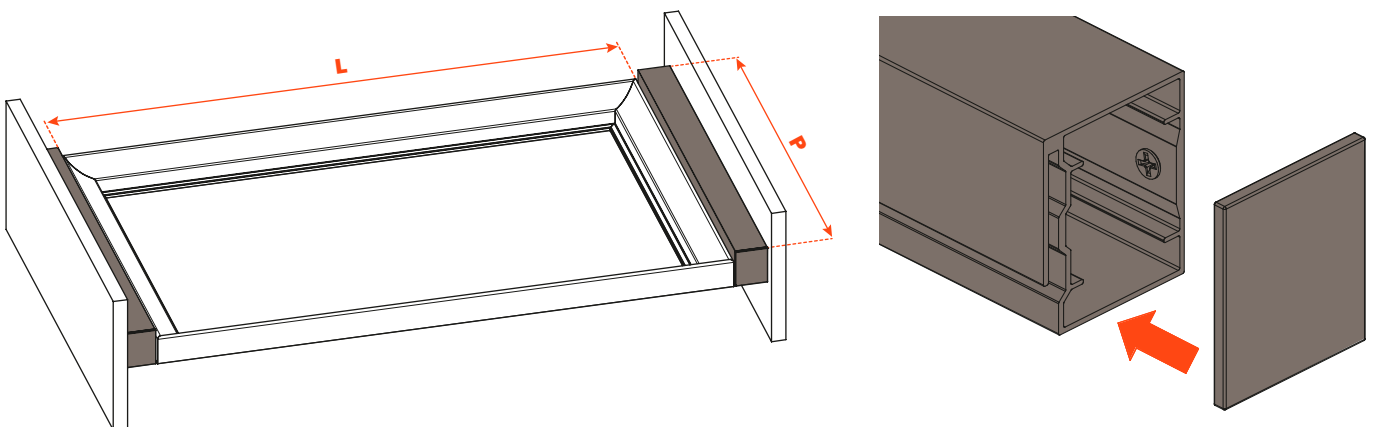
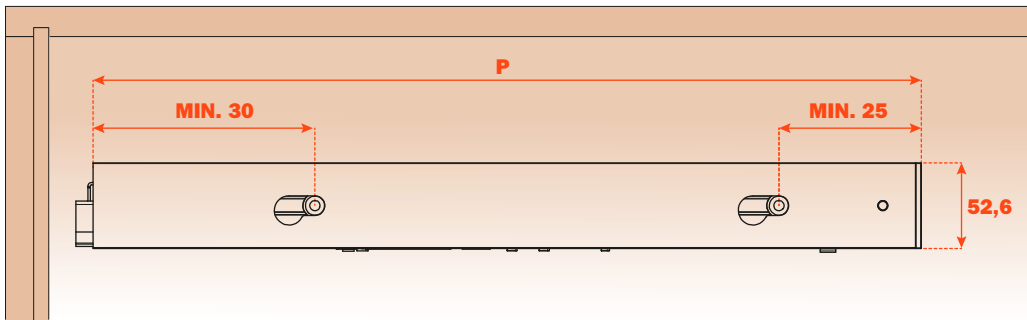
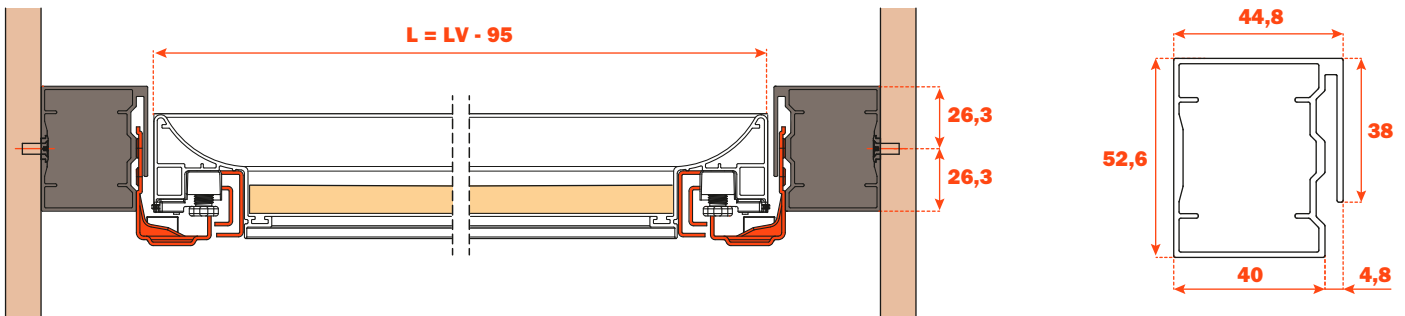


Excessories - pull-out - spacers

Spacers

- Material: aluminium coated with epoxy-based powder
- Finish: metal grey brown

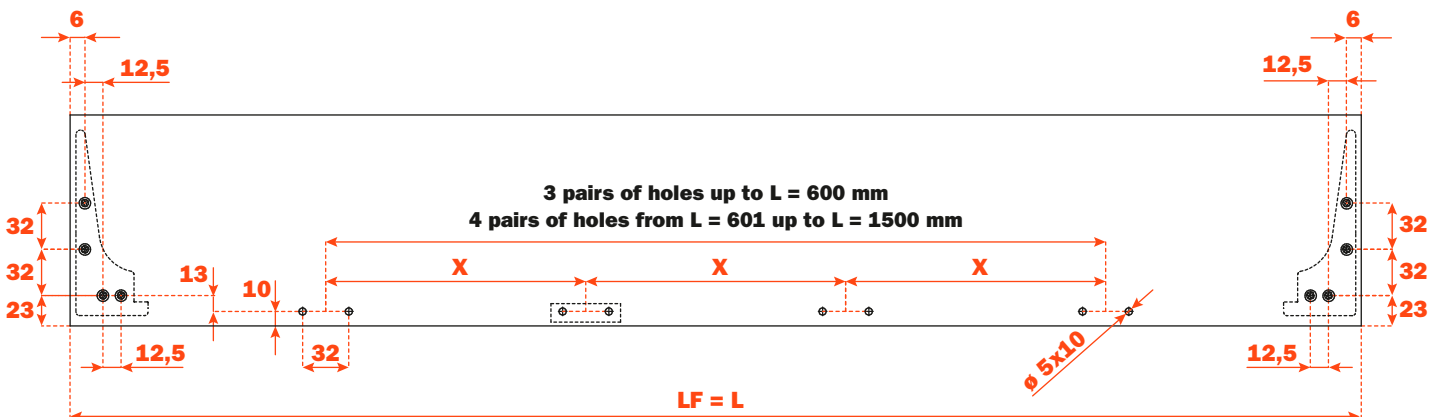
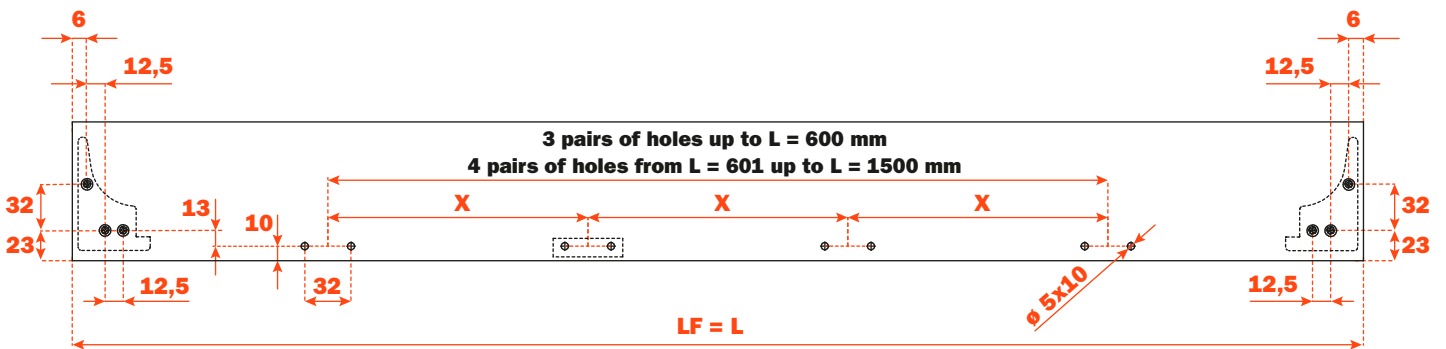
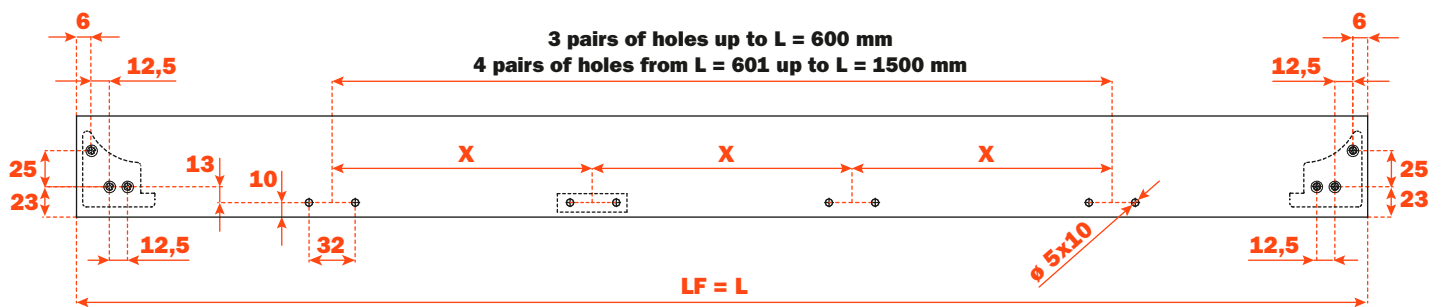


Runner length (LN) mm	4-SIDED drawer/spacer depth (P) mm	3-SIDED drawer/spacer depth (P) mm + wooden frontal 12 mm or glass frontal 6+6 mm	3-SIDED drawer/spacer depth (P) mm + wooden frontal 19 mm or glass frontal 6+13 mm
350	390	390	397
400	440	440	447
450	490	490	497
470	510	510	517

**Spacers with 3-SIDED drawer
for WOODEN FRONTAL**



Frontal drillings

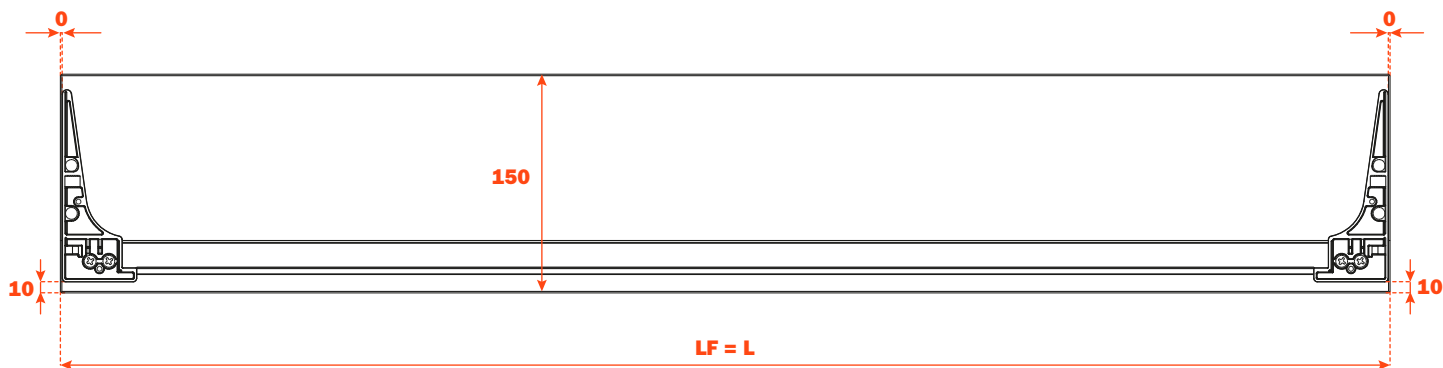
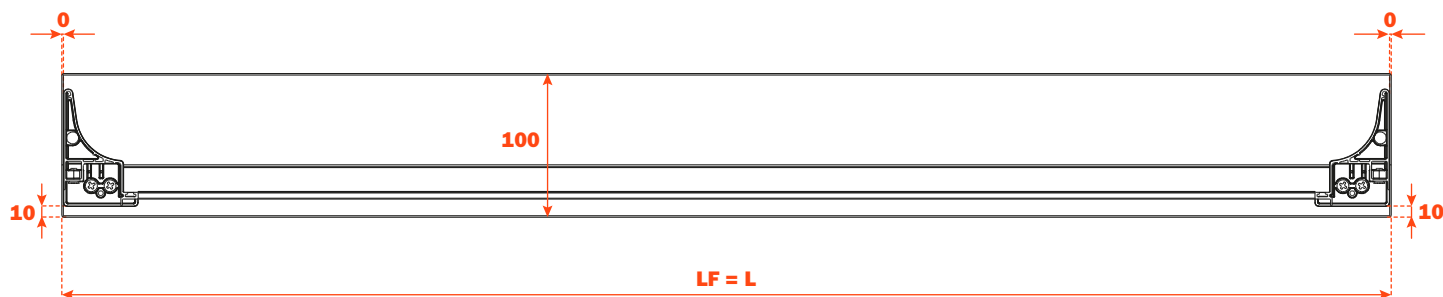
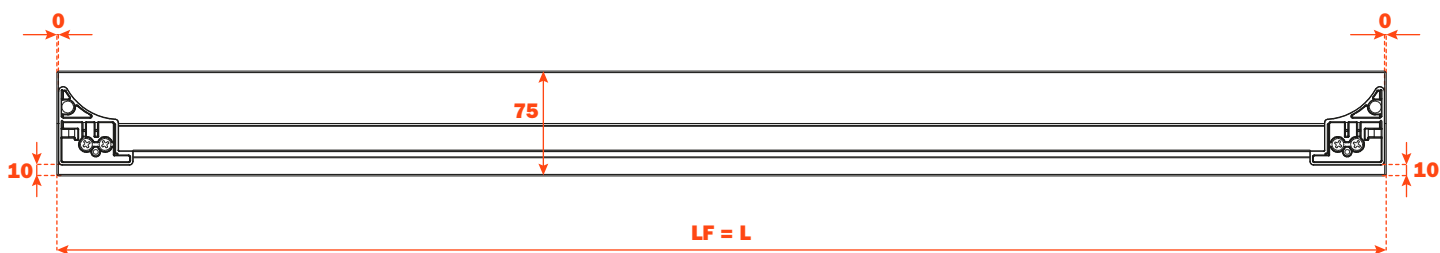


Excessories - pull-out - spacers

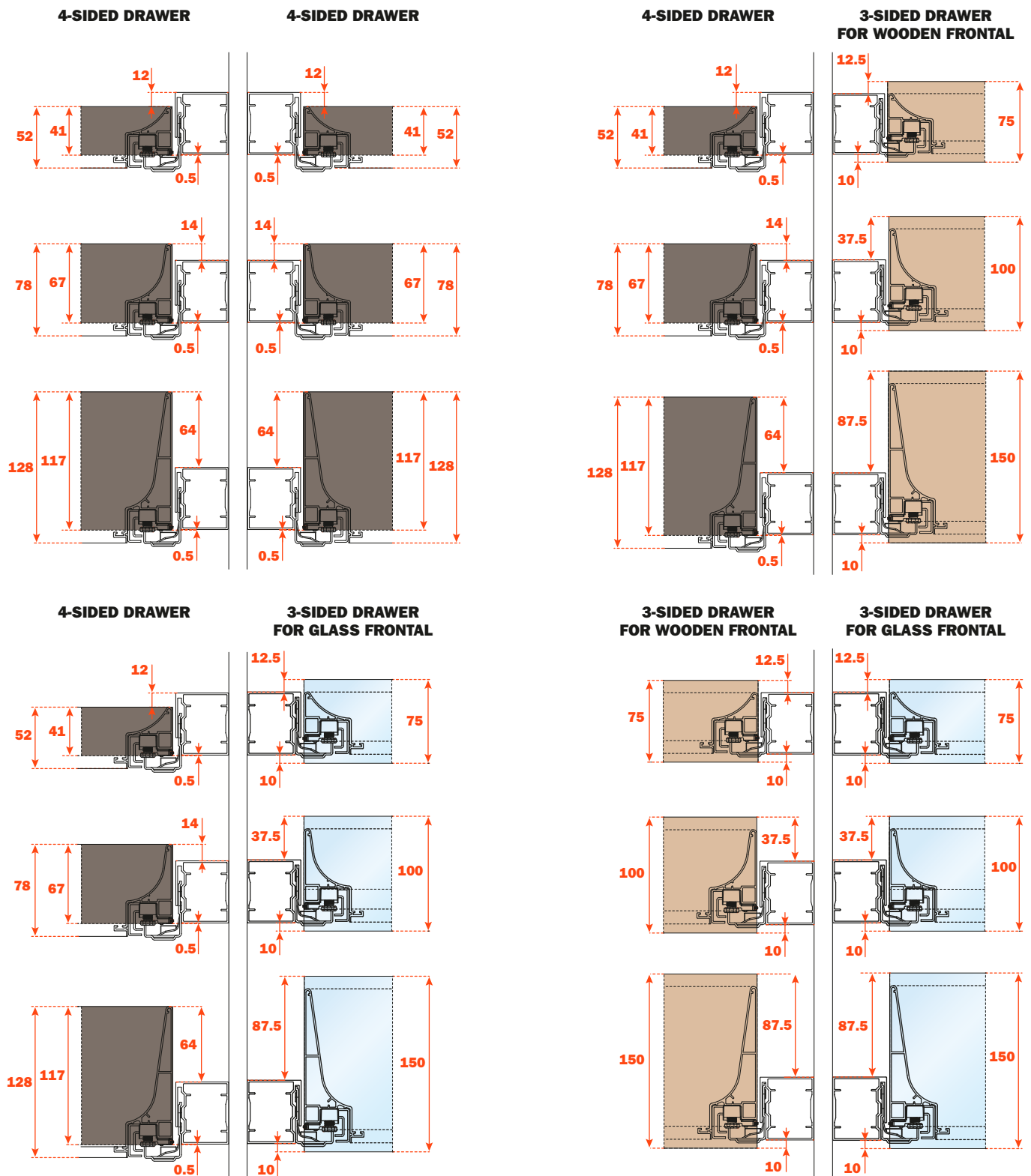
Spacers with 3-SIDED drawer for GLASS FRONTAL



Fixing the profile to the frontal

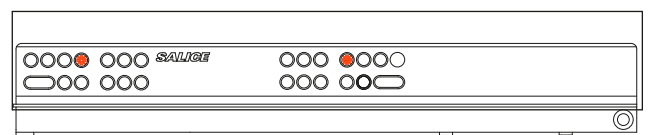
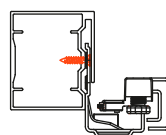


Guidelines to fix spacers



FIXING 4-SIDED DRAWERS

It is recommended that the runners are fixed to the cabinet using the upper holes



FIXING 3-SIDED DRAWERS

It is recommended that the runners are fixed to the cabinet using the lower holes

