

Excessories - pull-out - cover for runner

YE80FXGA00433B = Pair of covers for Futura runners, length 350 mm

YE80FXGA00533B = Pair of covers for Futura runners, length 400 mm

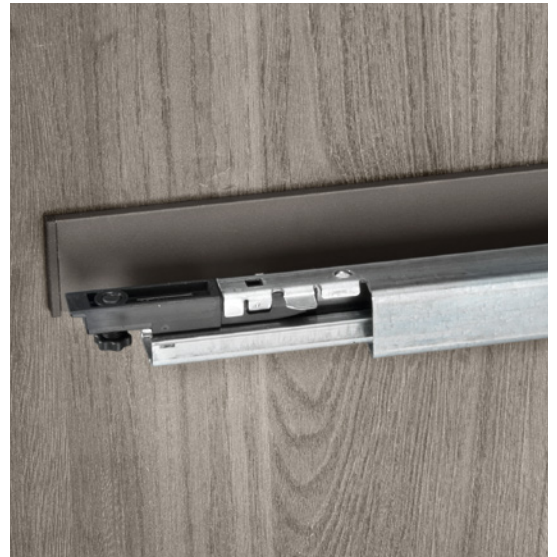
YE80FXGA00633B = Pair of covers for Futura runners, length 450 mm

YE80FXGA00733B = Pair of covers for Futura runners, length 470 mm

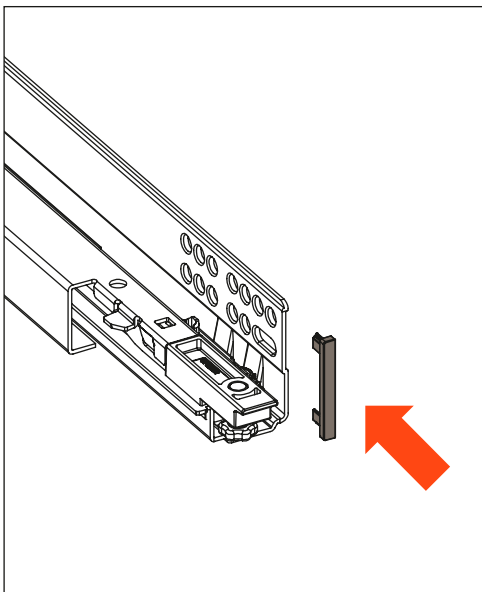
YE80FXGA00833B = Pair of covers for Futura runners, length 500 mm

Cover for runner

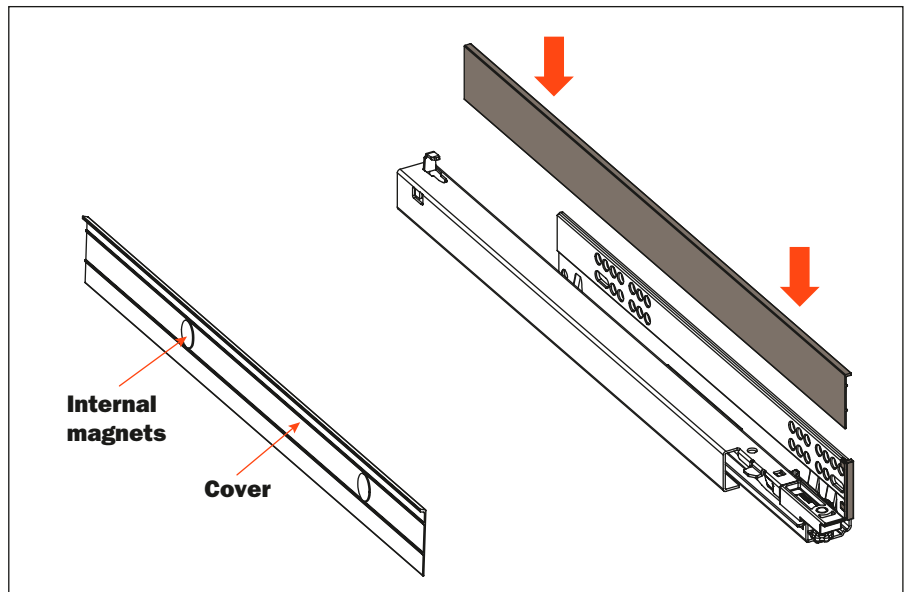
- Cover material: epoxy-coated aluminum, with magnets to fix the runner
- End cap material: plastic
- Finish: metal grey brown
- Packing: 20 pieces per box, magnets included
- Assembly with magnet



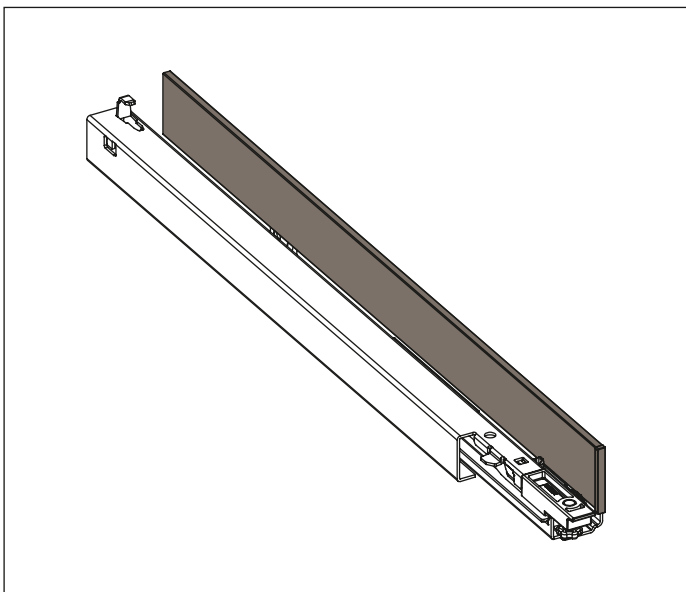
1. Insert the end cap into the runner



2. Fix the cover to the runner



3. Cover in place



4. Space required

