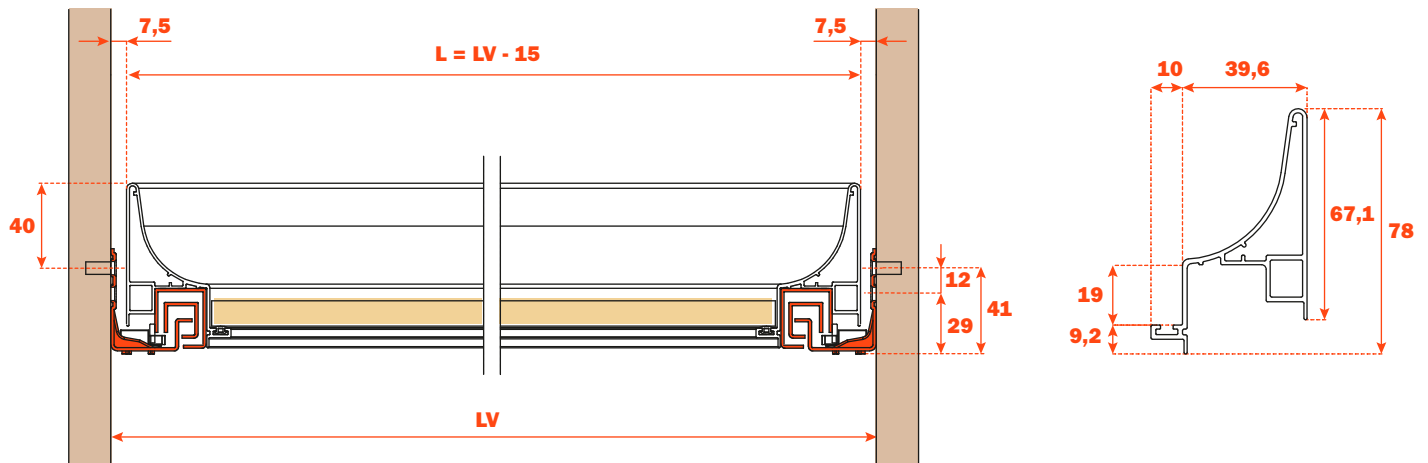


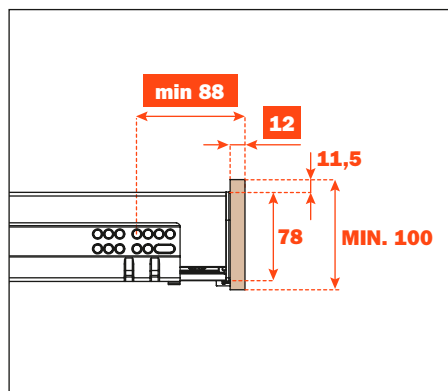
Excessories - pull-out - 3-sided drawer H 78 - for wood front

Aluminum 3-sided drawer H 78 WOOD FRONT H 100

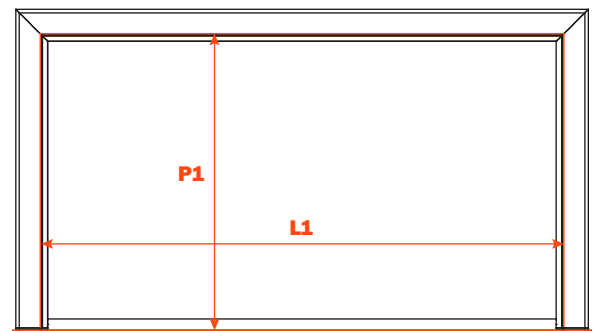
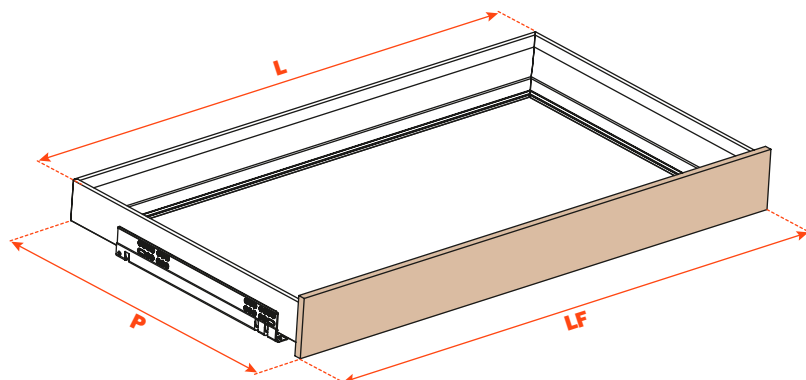
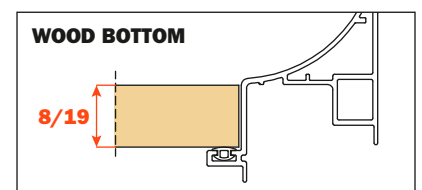
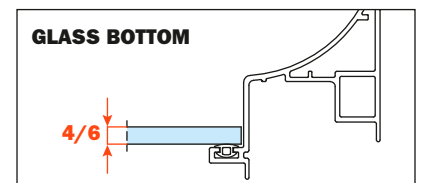
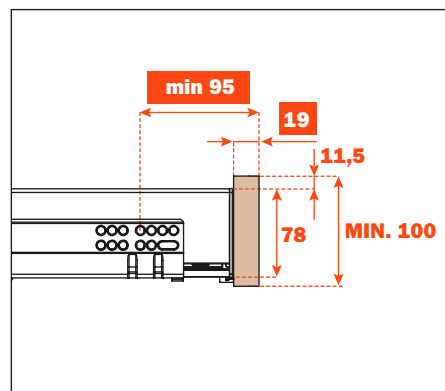
- Profile height: 78 mm
- Max. drawer width: 1500 mm
- Material: epoxy-coated aluminum
- Finish: metal grey brown
- Equipped with full-extension Futura runners
- Integrated height and depth adjustments
- Equipped with anti-tipping device
- The drawers are supplied assembled complete with the gasket needed to hold in place the drawer bottom and accessories
- Front and bottom not included
- Bottom can be made of wood or glass



**ASSEMBLY WITH WOOD FRONT,
12 mm THICKNESS**

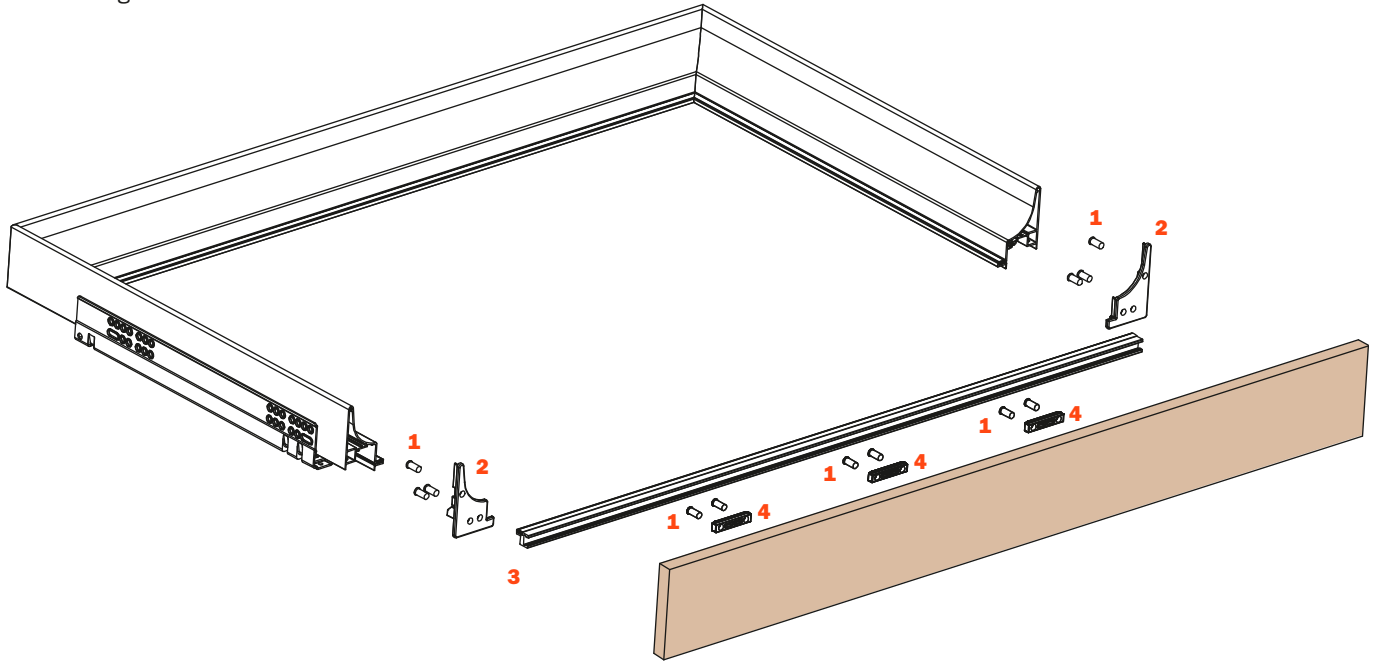


**ASSEMBLY WITH WOOD FRONT,
19 mm THICKNESS**

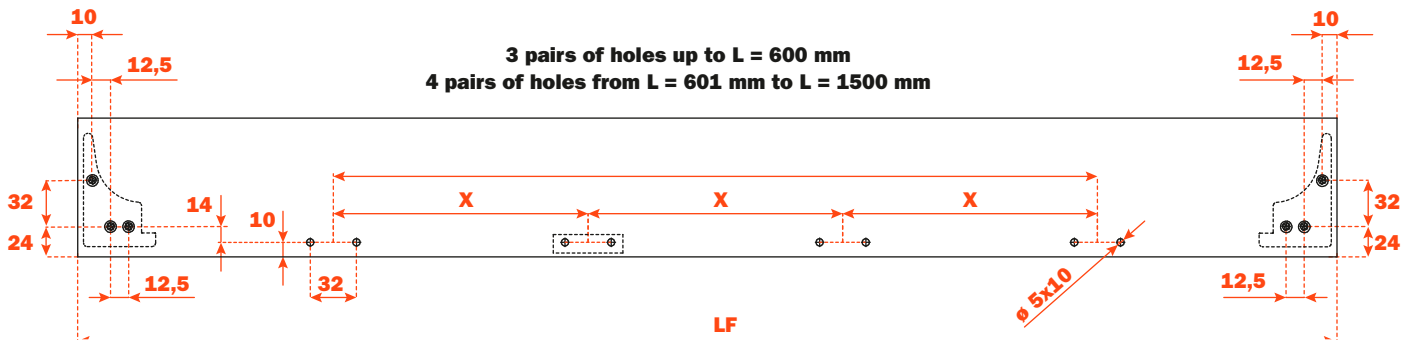


Kit for the front fixing (to be ordered separately)

1. 6,3x14 mm TPSV Euro screws
2. Fixing caps
3. Aluminum profile
4. Connecting elements



Front drilling



Runner length (LN) mm	Drawer width (L) mm	Front width (LF) mm	Internal width (L1) mm	Drawer depth (P) mm + wood front 12 mm	Drawer depth (P) mm + wood front 19 mm	Internal depth (P1) mm
350	LV - 15	LV - 6	L - 80	390	397	338
400				440	447	388
450				490	497	438
470				510	517	458
500				540	547	488