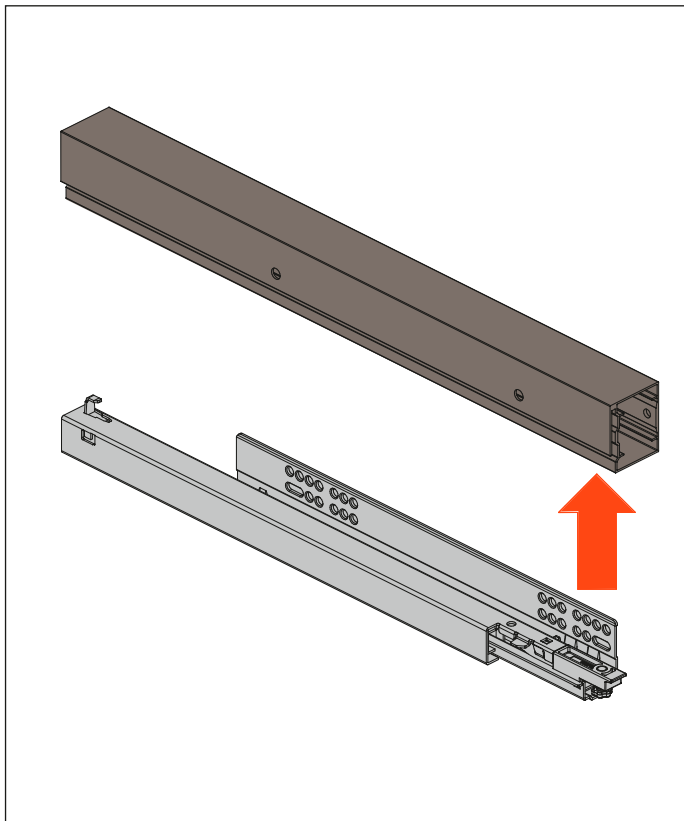


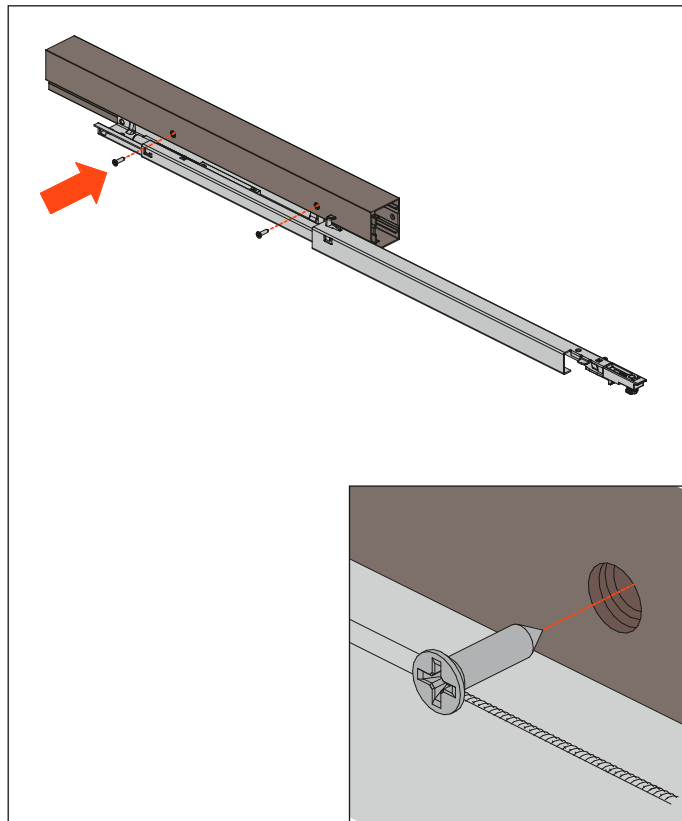
Excessories - pull-out - spacers - assembly instructions

The spacers enable the drawer to be fully opened without impedance from hinged or sliding doors. They feature an innovative quick-fixing device which ensures that the runners are correctly and accurately installed.

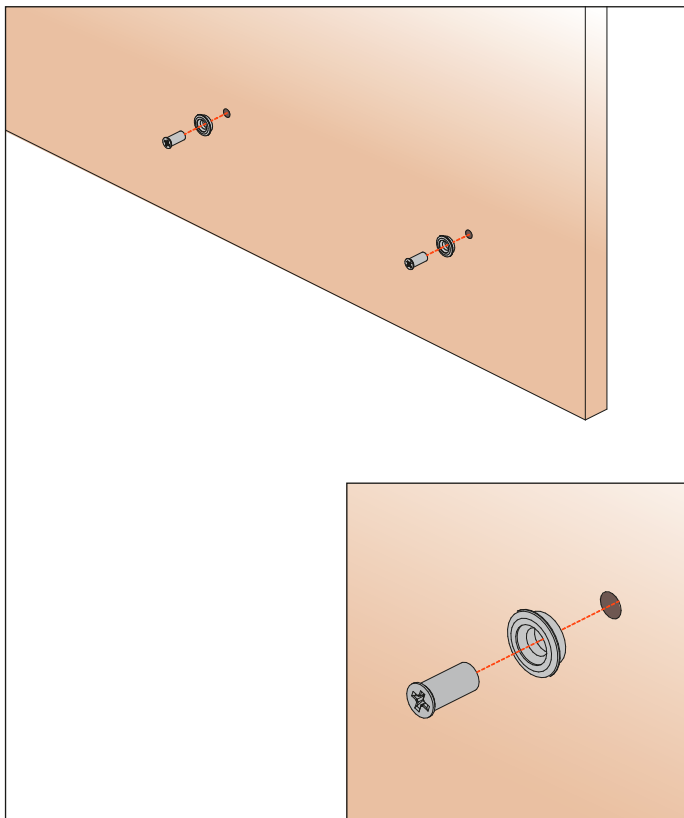
1. Insert the runner into the spacer



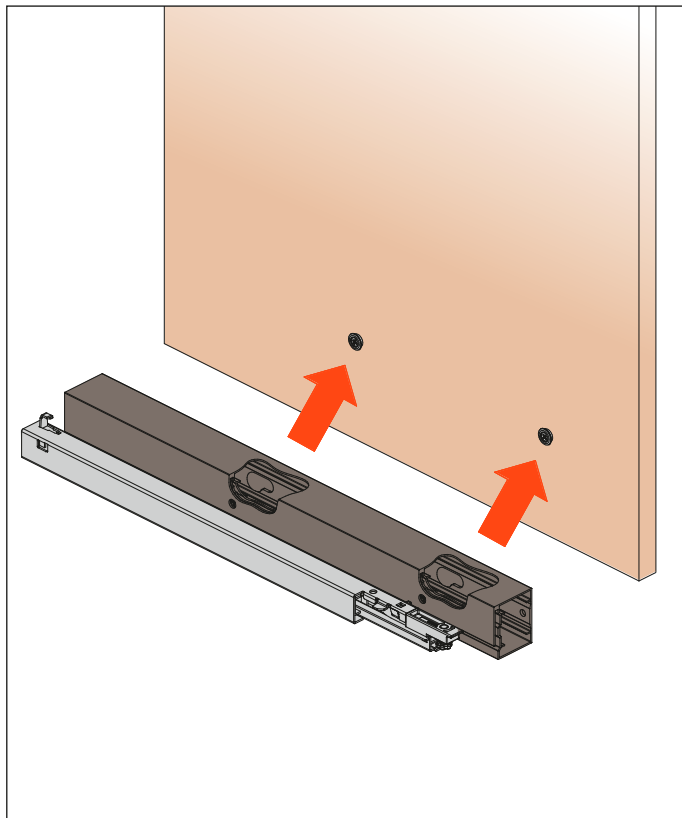
2. Fix the runner to the spacer using the screws provided



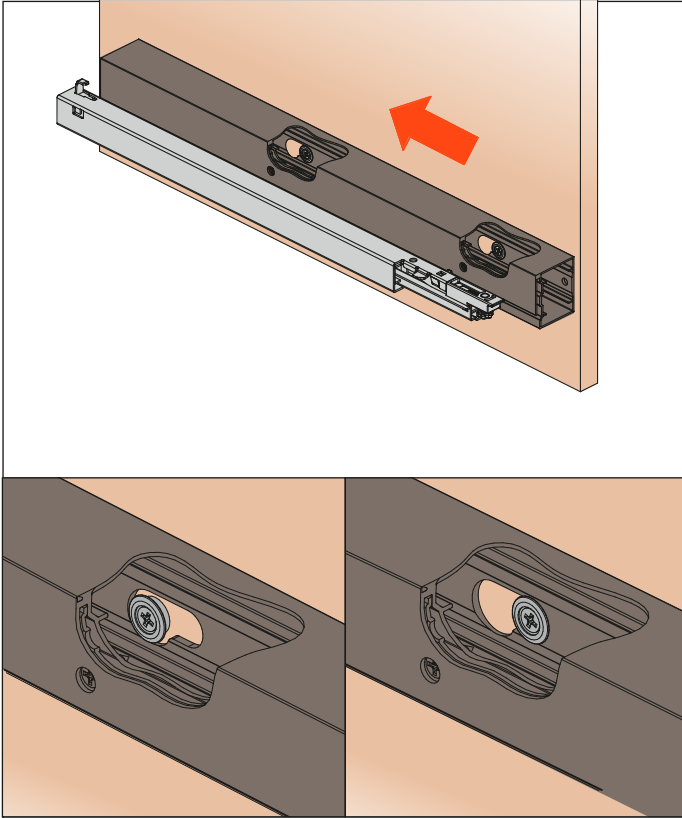
3. Screw-fix the spacer supports to the cabinet side



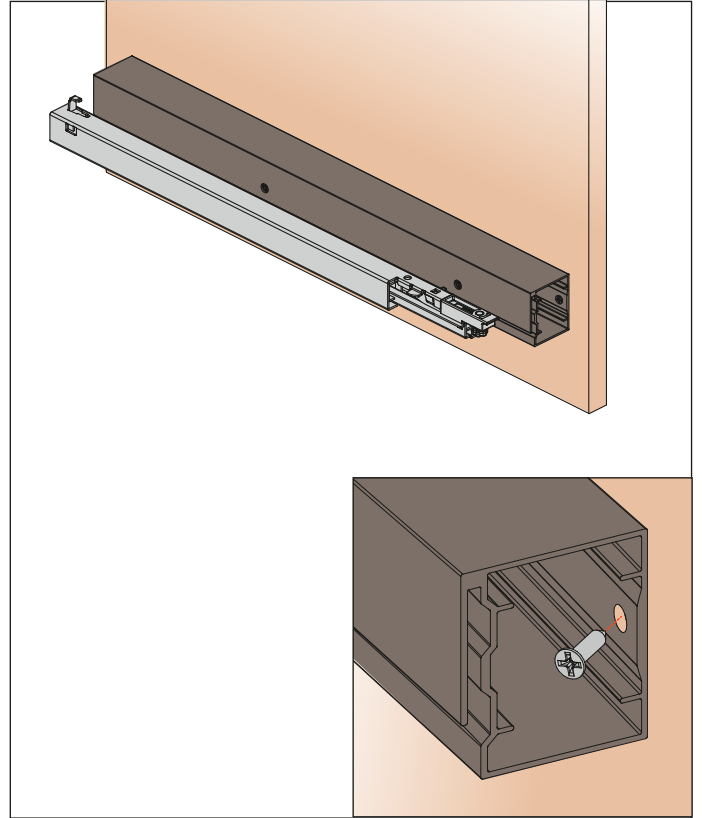
4. Position the spacer onto the supports



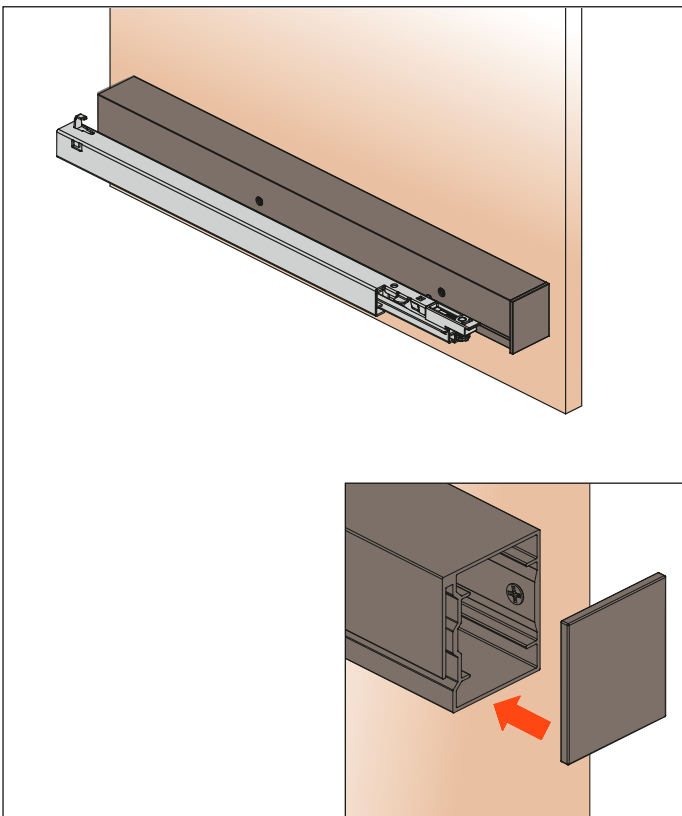
5. Slide the spacer backwards to locate the supports in their keyhole recesses



6. Secure the spacer in position using the front fixing screw



7. Insert the end caps



8. Install the drawer onto the runners

