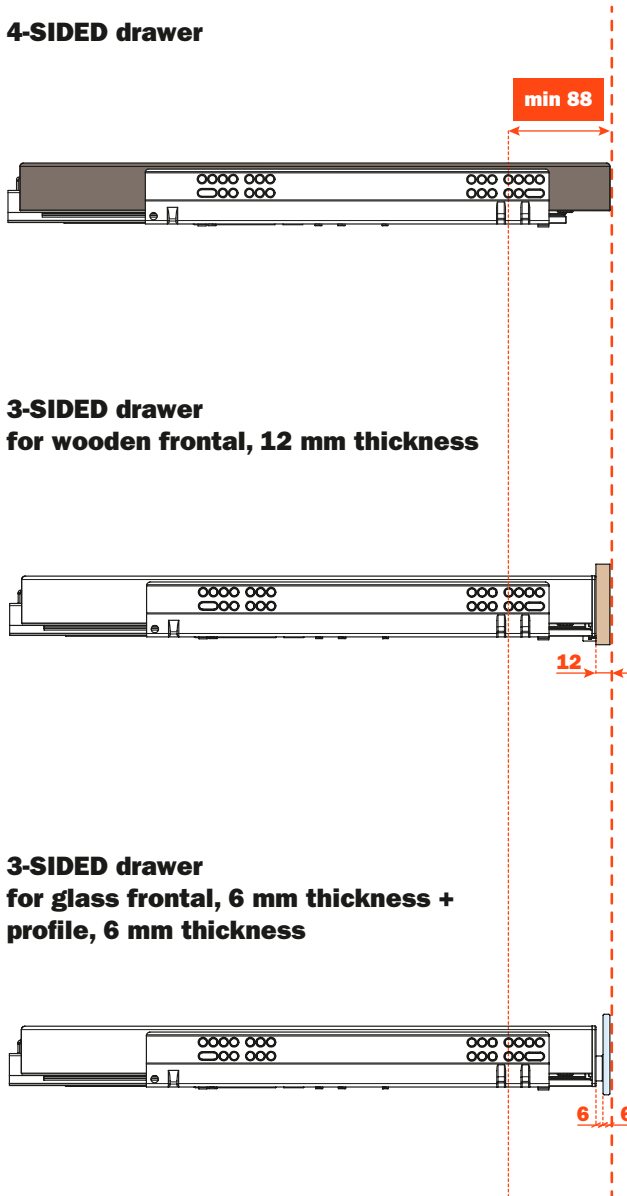


# Excessories - pull-out - drawers alignment

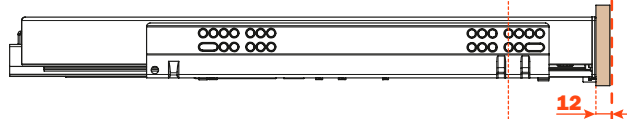
**With the same side drilling, 4-sided drawers are frontally aligned** with 3-sided drawers with wooden frontal (12 mm thickness) and with 3-sided drawers with glass frontal (6 mm thickness + 6 mm profile thickness), as illustrated below.

**With the same side drilling, 4-sided drawers are not frontally aligned** with 3-sided drawers with wooden frontal (19 mm thickness) and with 3-sided drawers with glass frontal (6 mm thickness + 13 mm profile thickness), as illustrated below.

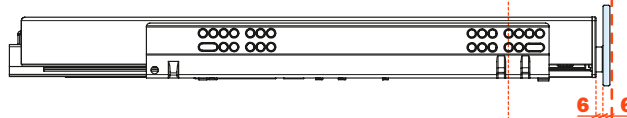
**4-SIDED drawer**



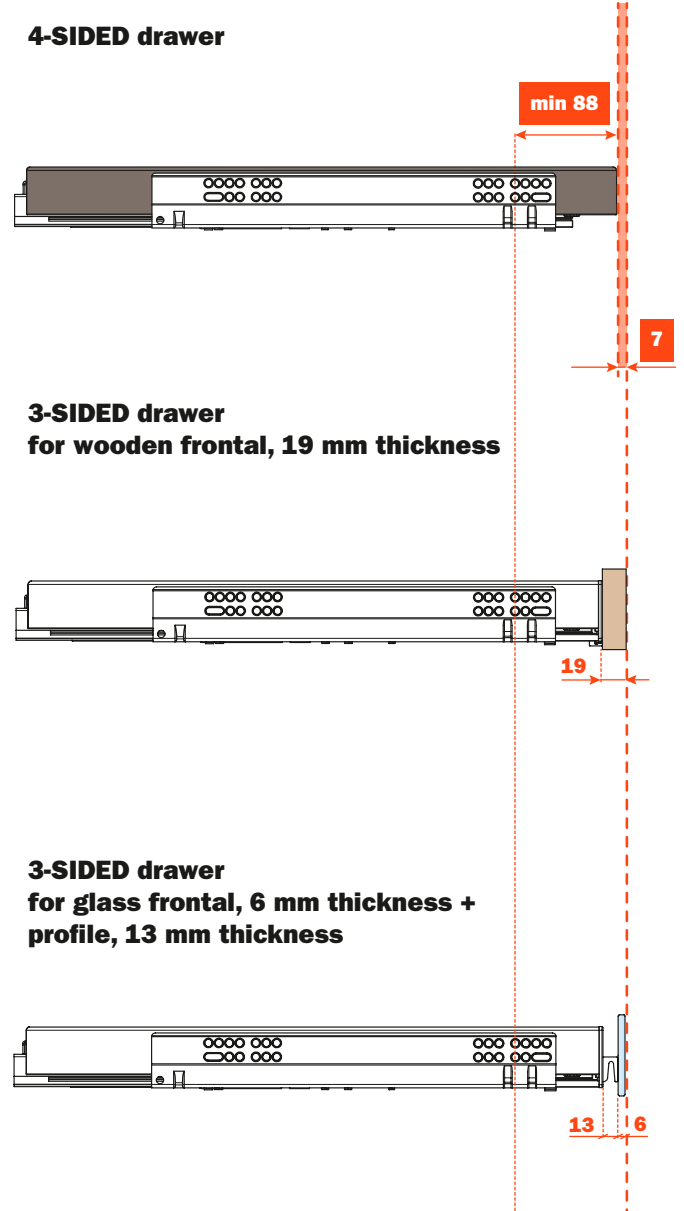
**3-SIDED drawer for wooden frontal, 12 mm thickness**



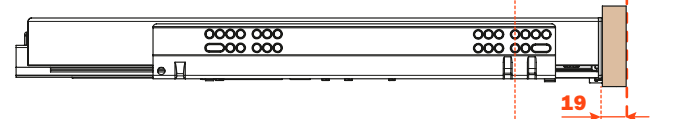
**3-SIDED drawer for glass frontal, 6 mm thickness + profile, 6 mm thickness**



**4-SIDED drawer**



**3-SIDED drawer for wooden frontal, 19 mm thickness**



**3-SIDED drawer for glass frontal, 6 mm thickness + profile, 13 mm thickness**

