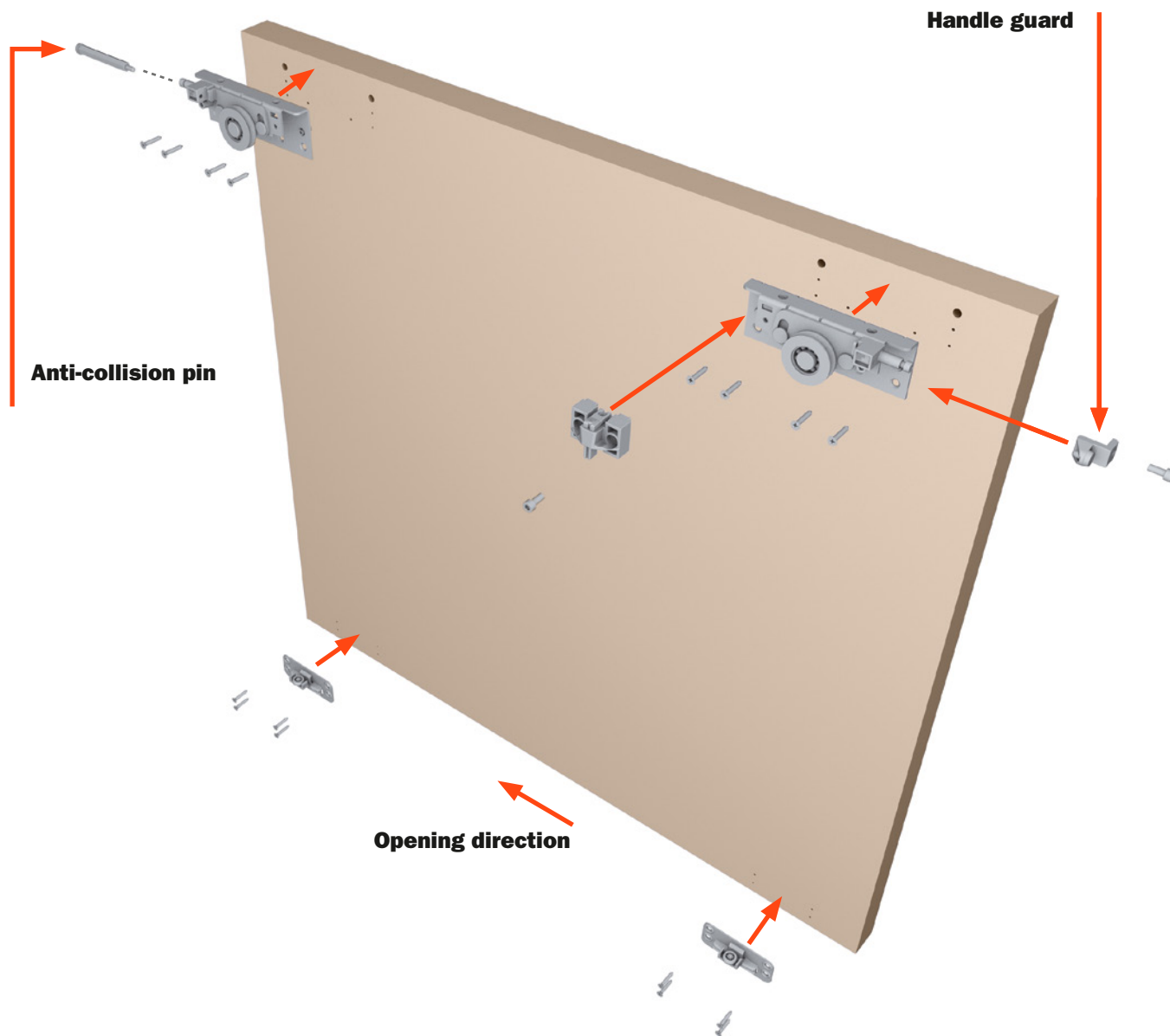
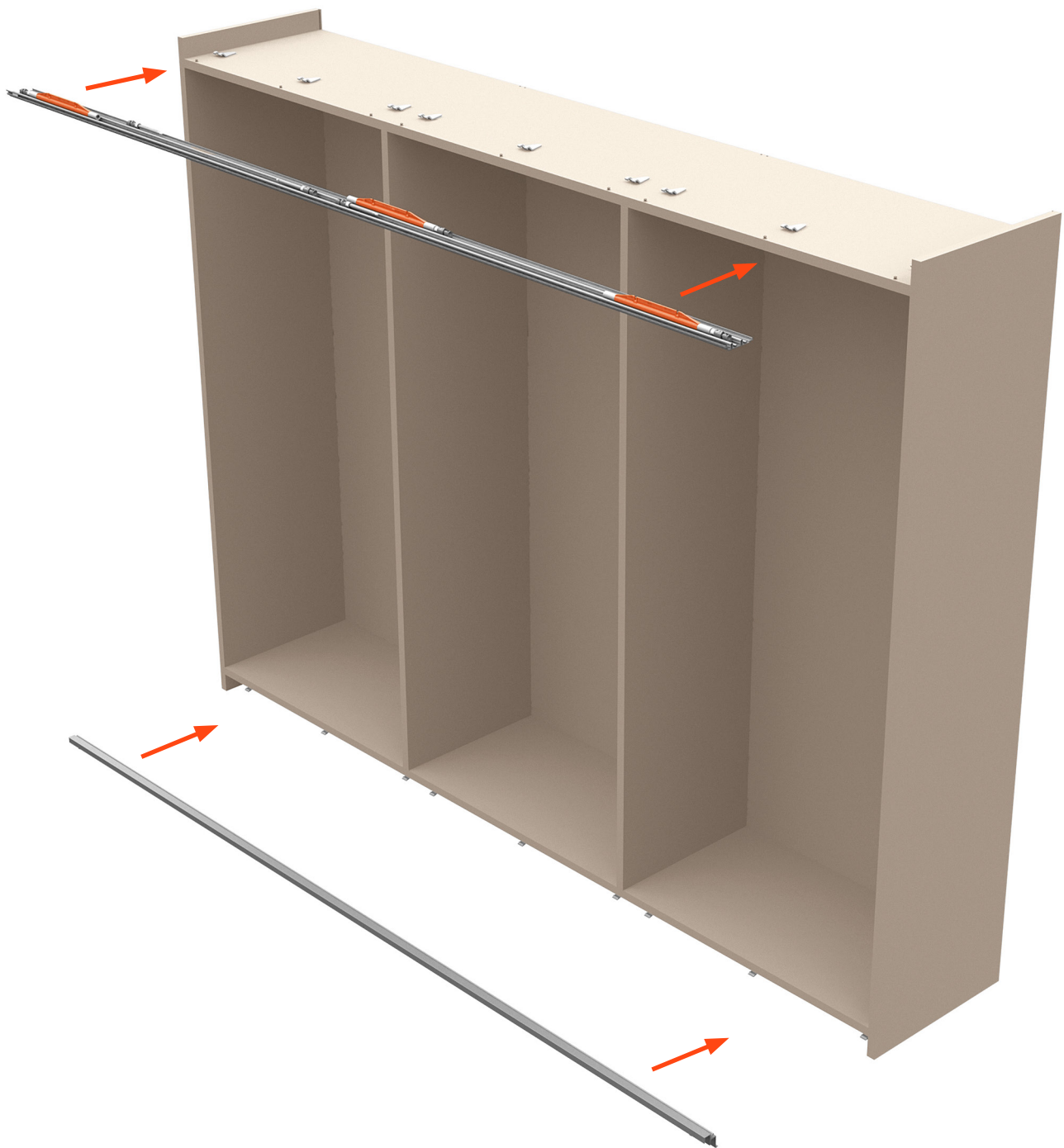


## Assembling the carriages

### INTERNAL DOORS



**Assembling the mechanism****PATENTS**

Patent filed with the Ministry of Productive Activities - Italian Patent and Trademark Office (U.I.B.M.).