

## Mechanical Push

The PUSH-System is a self-opening system for the doors of all types of handleless furniture.

It consists of a series of self-opening hinges, release devices that can be fitted to the top, base or side panel of the cabinet, and retaining catches to be fitted to the back of the door.

The retaining catches can be pressure-fixed or screw-fixed.

For doors over 1600 mm in height, we suggest that you use two mechanical release catches.



**DP29SNBA** - beige



**DP29SNGA** - grey



Retaining catch for aluminium-frame door  
width = 35 - 45 mm.

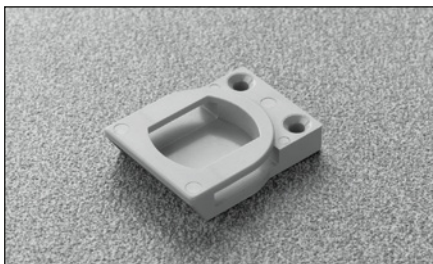
**Packing**

Boxes 300 pcs.

**DP29SNBB** - beige



**DP29SNGB** grey



Retaining catch for aluminium-frame door  
width = 17 - 35 mm.

**Packing**

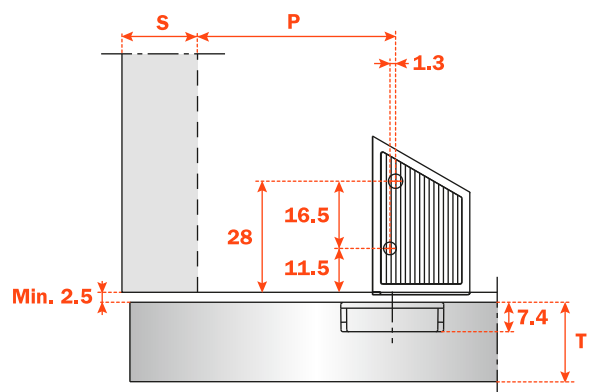
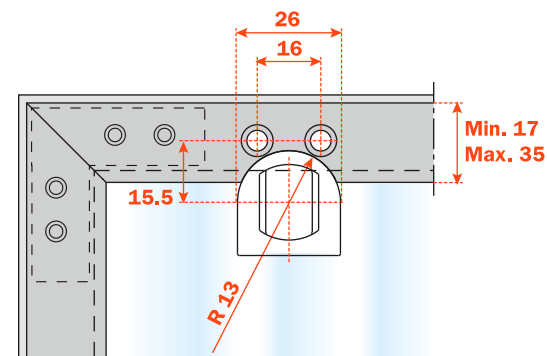
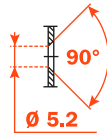
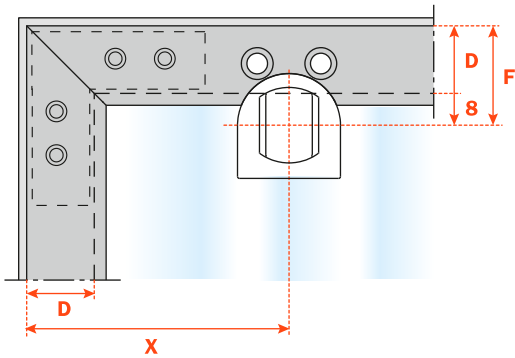
Boxes 300 pcs.

**N.B.: Drilling patterns at pages 16**

# Mechanical Push - Drilling for aluminium frame door

## Profile min. 17 mm/max 35 mm

- D** = Door overlay on side and top of the cabinet
- F** = Drilling distance of retaining catch =  $D + 8$
- X** = Relative to the distance to the corner of the profile
- P** = Fixing distance of PUSH =  $X - D + 1.3$



## Profile min. 35 mm/max. 45 mm

- D** = Door overlay on side and top of the cabinet
- F** = Drilling distance of retaining catch =  $D + 8$
- X** = Relative to the distance to the corner of the profile
- P** = Fixing distance of PUSH =  $X - D + 1.3$

