



D0L_SNG - Smoveholder with assembly stop devices



We suggest that one smoveholder only is used for each door, by selecting one of the three available models:



D0L7SNG
to be used with **doors made with particularly light materials.**



D0L8SNG
to be used with **doors with two hinges.**



D0L9SNG
to be used with **doors with more than two hinges.**

Packing

Boxes 150 pcs
Pallets 13.500 pcs

D0L_SNGR - Smoveholder without assembly stop devices



We suggest that one smoveholder only is used for each door, by selecting one of the three available models:



D0L7SNGR
to be used with **doors made with particularly light materials.**



D0L8SNGR
to be used with **doors with two hinges.**



D0L9SNGR
to be used with **doors with more than two hinges.**

Packing

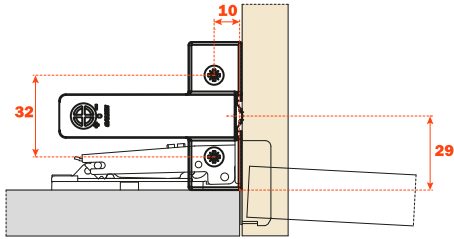
Boxes 150 pcs
Pallets 13.500 pcs

Smoveholder application

Arm 0, Arm 5, Arm 9 - Smoveholder DOL_SNG

Frontal positioning: with assembly stop devices.

Side positioning: place the smoveholder with its wing in contact with the side of the cabinet.

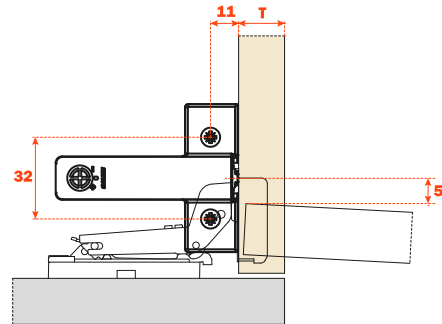


1 - Place the smoveholder in position on the top or bottom panel with its wing in contact with the side of the cabinet.

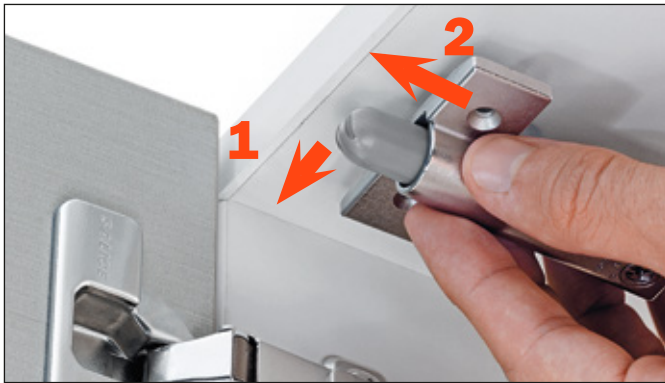
Arm 17 - Smoveholder DOL_SNGR

Frontal positioning: drilling value at + 11 mm plus the door thickness.

Side positioning: place the smoveholder with its centreline approx. 5 mm from the edge of the door at its fully open position.



2 - Screw the smoveholder into position.



3 - Finally it is possible to adjust the Smove to increase or reduce the decelerating effect.



Positive adjustment

Rotating the screw towards the + sign, thus moving the Smove forward, the decelerating effect increases.



Negative adjustment

Rotating the screw towards the - sign, thus moving the Smove backwards, the decelerating effect reduces.

