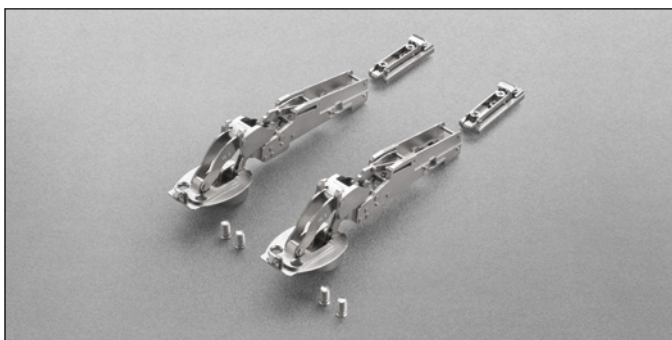


PACTA

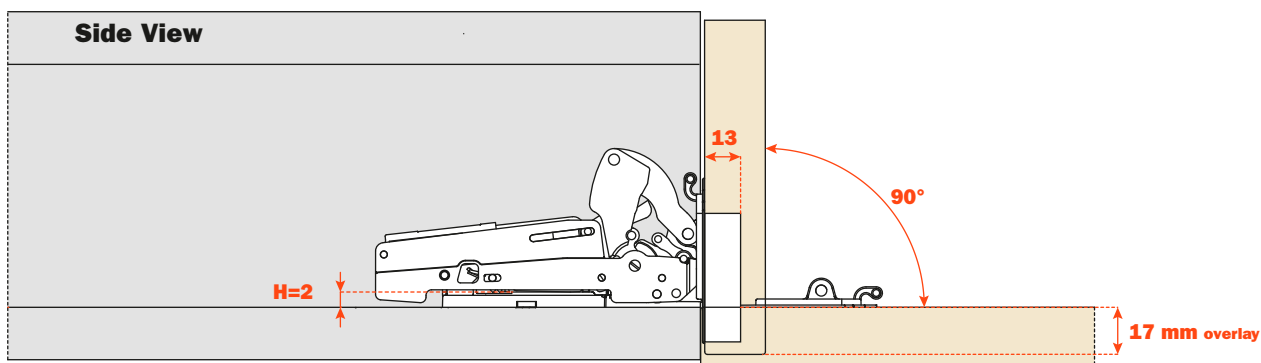


Technical information

Hinges with Soft Opening and self close feature.

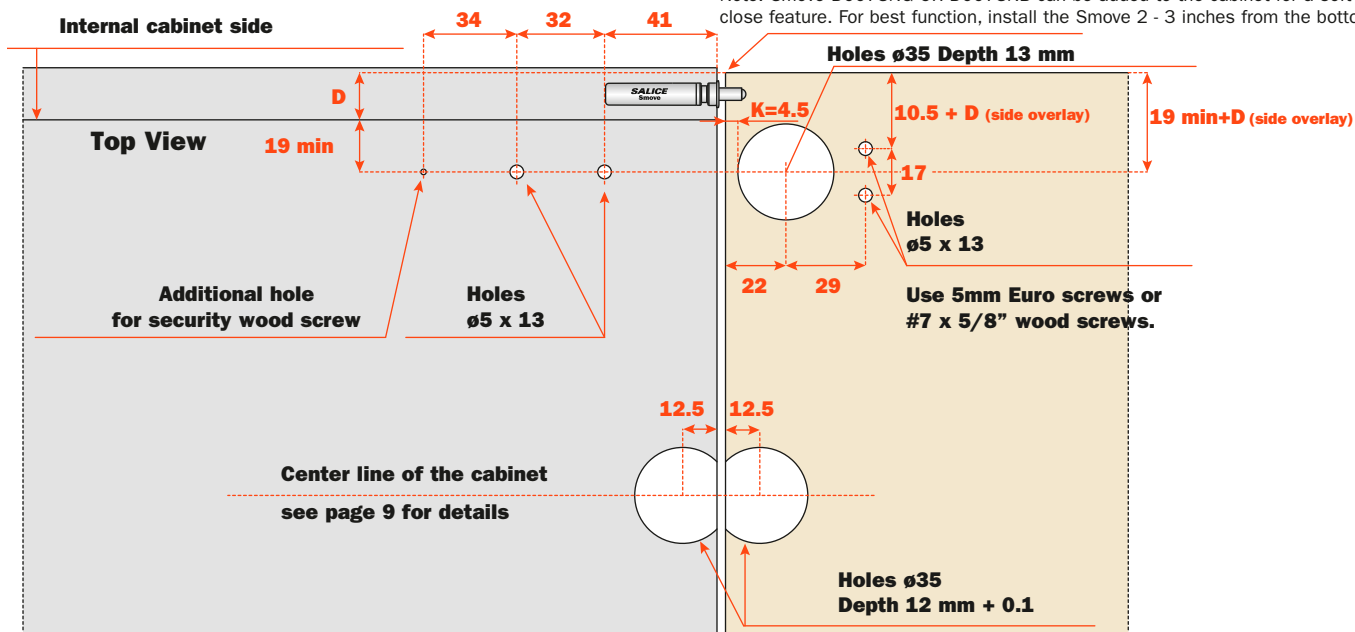
- Standard drilling of the door \varnothing 35.
 - 13 mm deep cup.
 - 90° opening.
 - Fixed K = 4.5 mm.
 - Minimum door height of 11"
 - Maximum door height of 16"
 - Minimum door thickness of 16 mm
 - Maximum door thickness of 28 mm.
 - Overlay 17 mm \pm adjustment.
 - Attachment to the cabinet with in-line, snap-on mounting plate (BAPGR29/16).
- Pacta is tested and certified to level 3 of UNI EN 15828:2010**

Drilling patterns

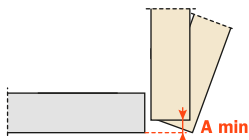


Smove

Note: Smove D007SNG OR D007SNB can be added to the cabinet for a soft close feature. For best function, install the Smove 2 - 3 inches from the bottom.



Space needed to open the door



T=	16	17	18	19	20	21	22	23	24	25	26	27	28
K=4.5	A= 1.3	2.1	3	3.9	4.8	5.7	6.6	7.5	8.5	9.4	10.4	11.3	12.3