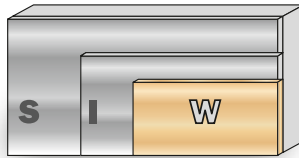


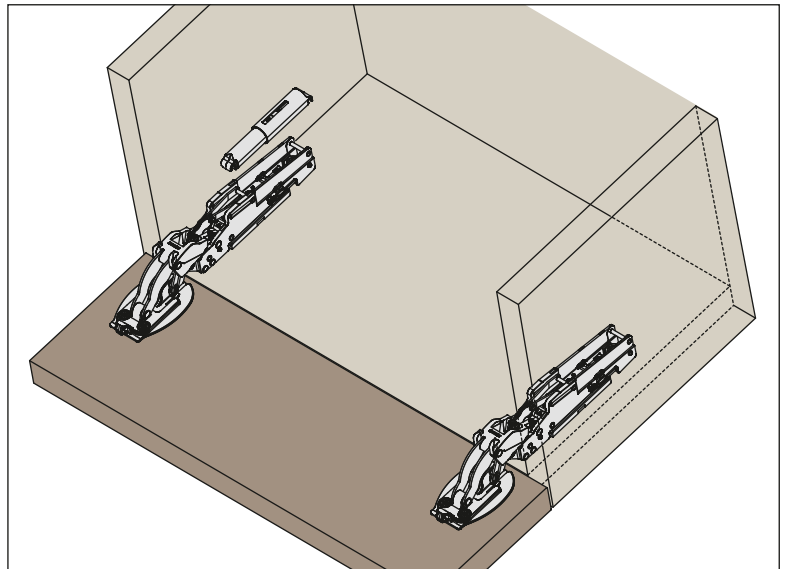
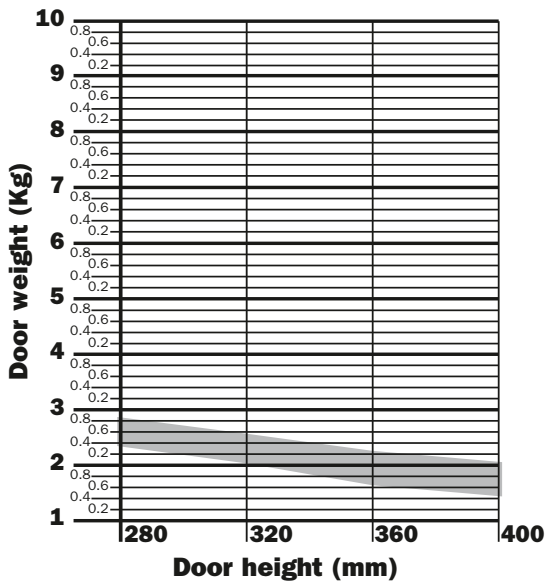
PACTA - Charts

Charts to determine which Smove is to be used for a particular door size and weight. We recommend that all applications are verified by a practical trial.

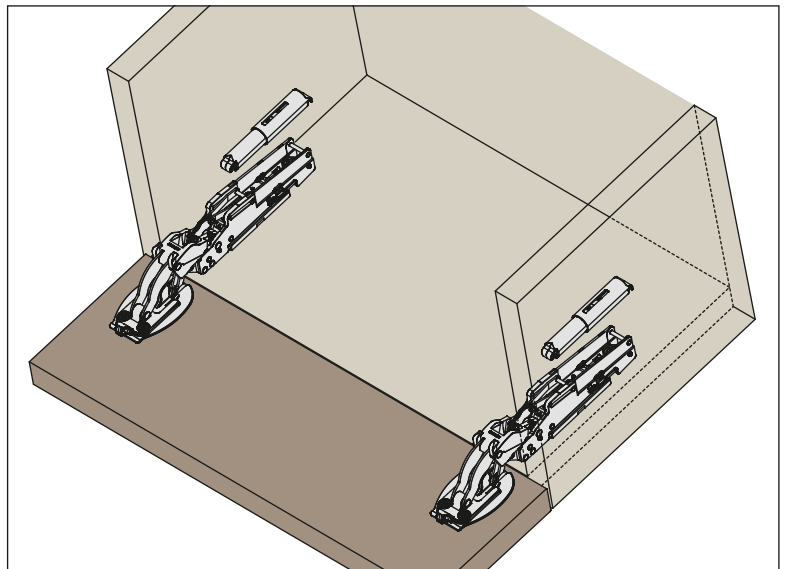
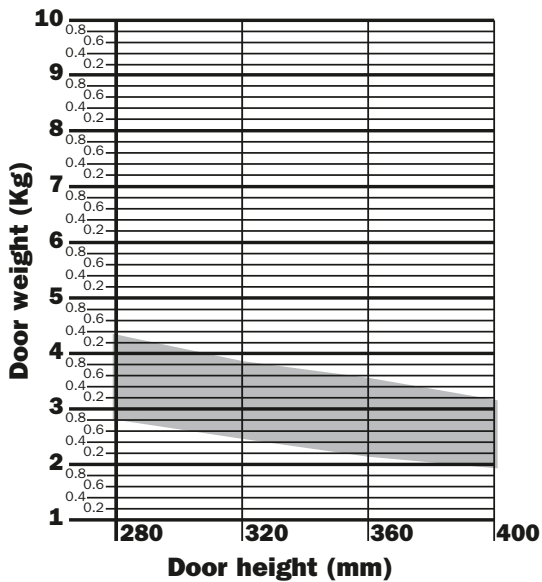
DRBWXXYXI



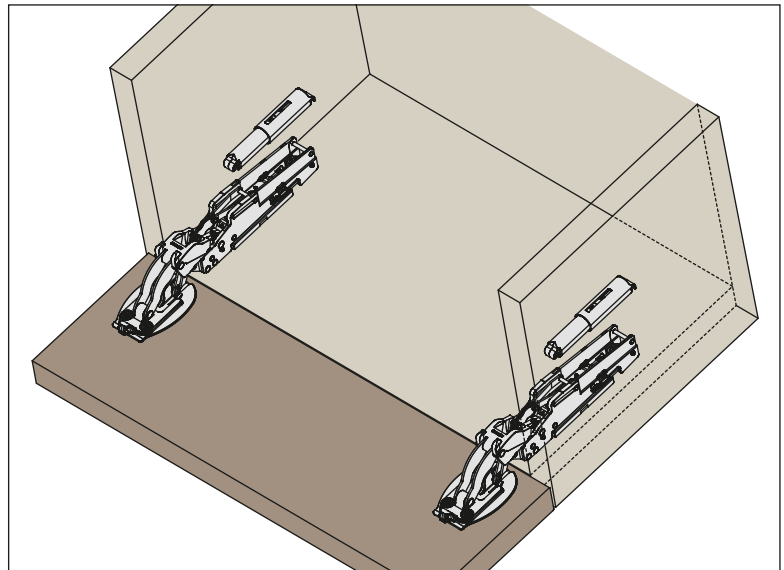
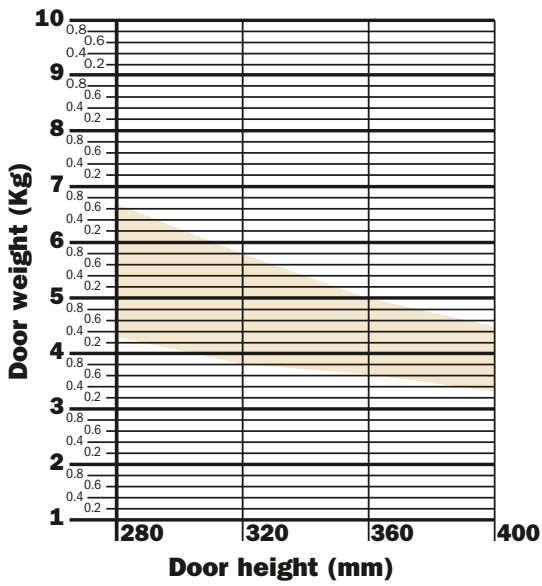
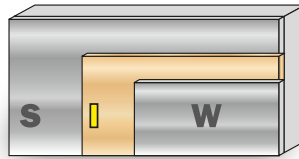
With particularly light doors, it may be sufficient to use only one Smove



DRBWXXYXI



DRBIXXYXI



DRBSXXYXI

