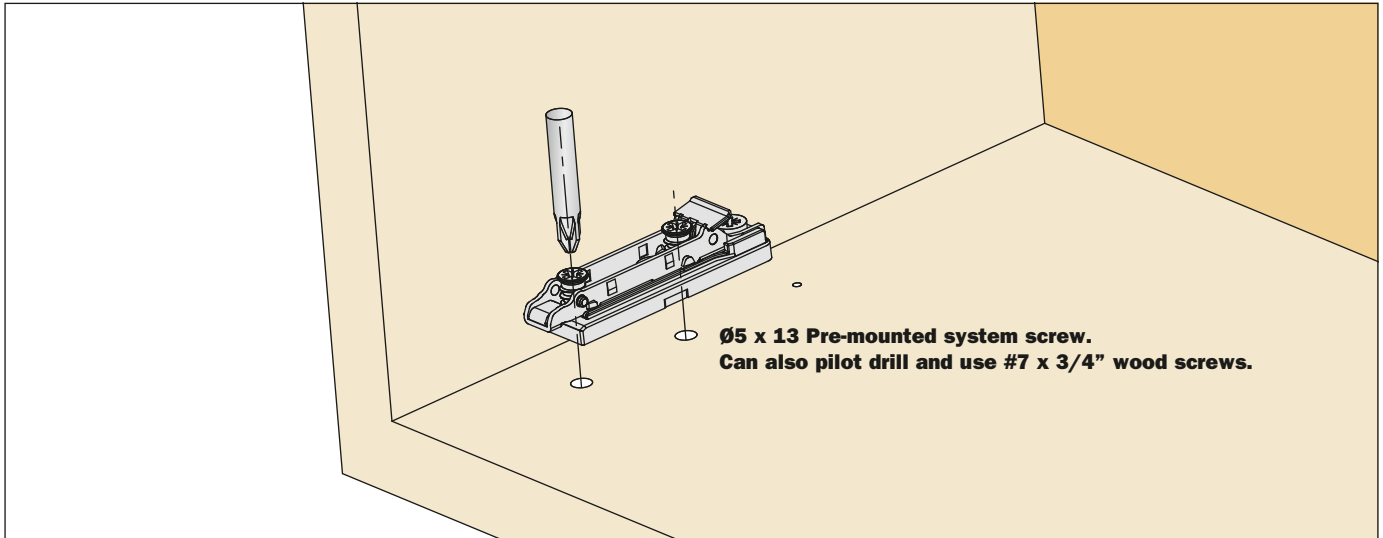
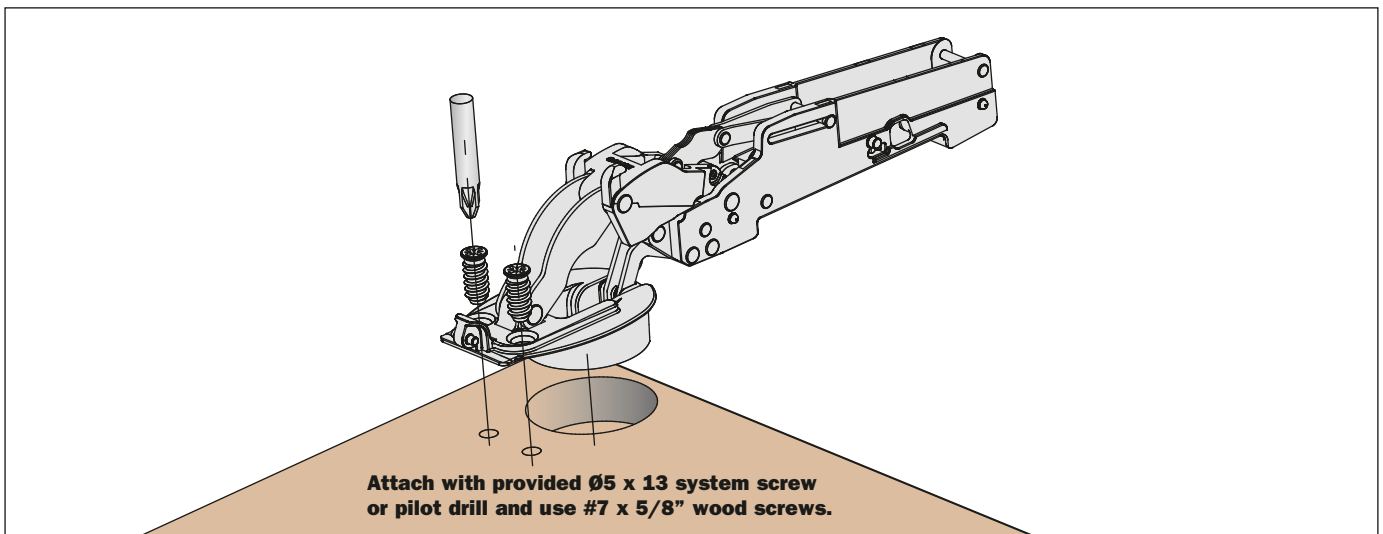
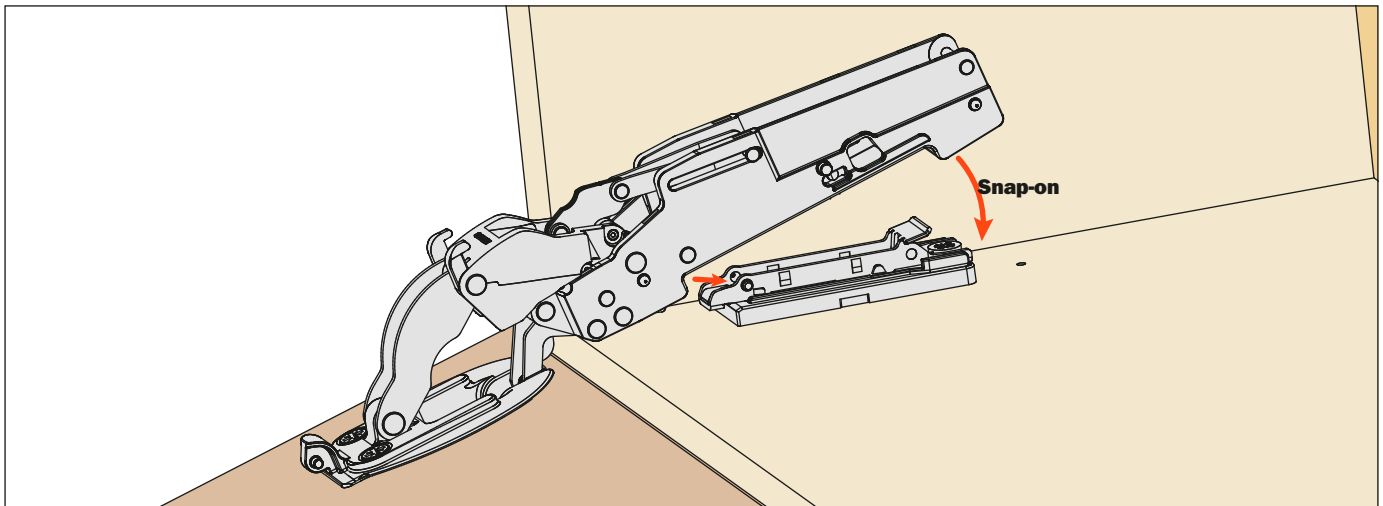
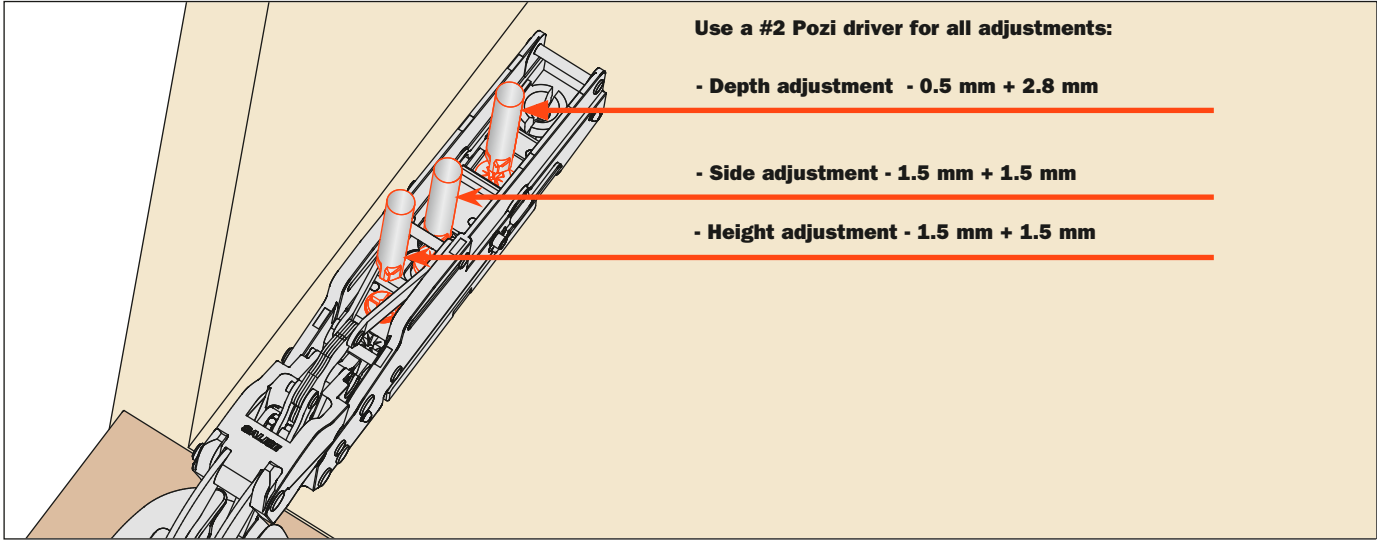


**PACTA - Assembly instructions****Attaching the mounting plate to the cabinet****Attaching the hinge to the door****Attaching the door to the cabinet**

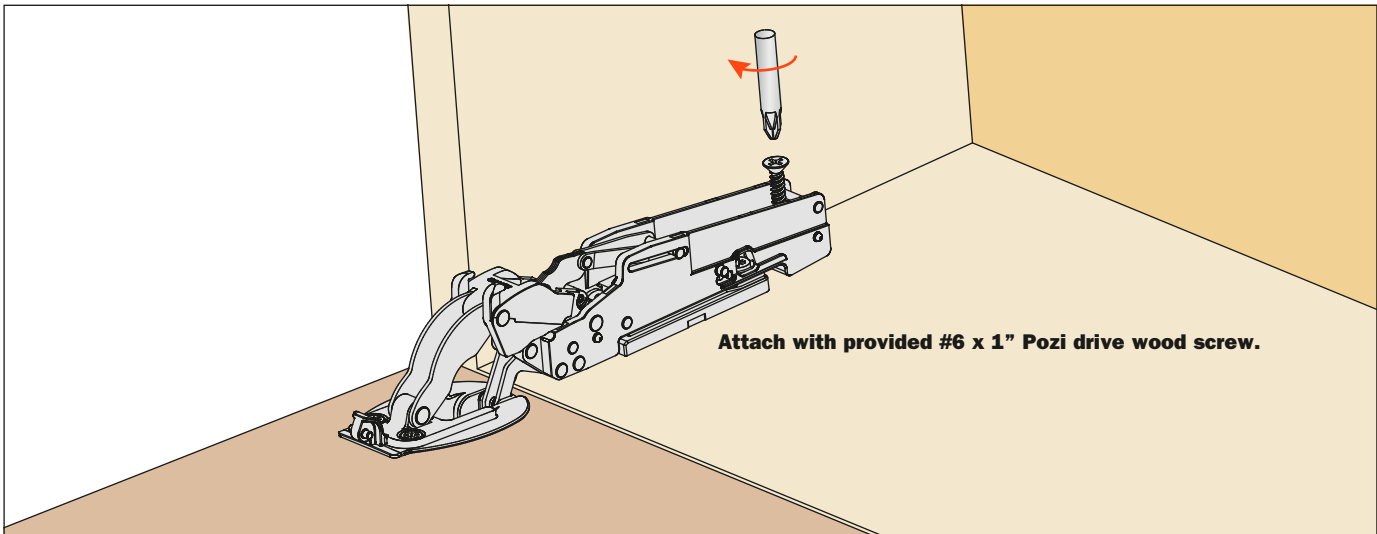
Snap the hinge arm onto the mounting plates. This operation is tool free.



## Adjustments

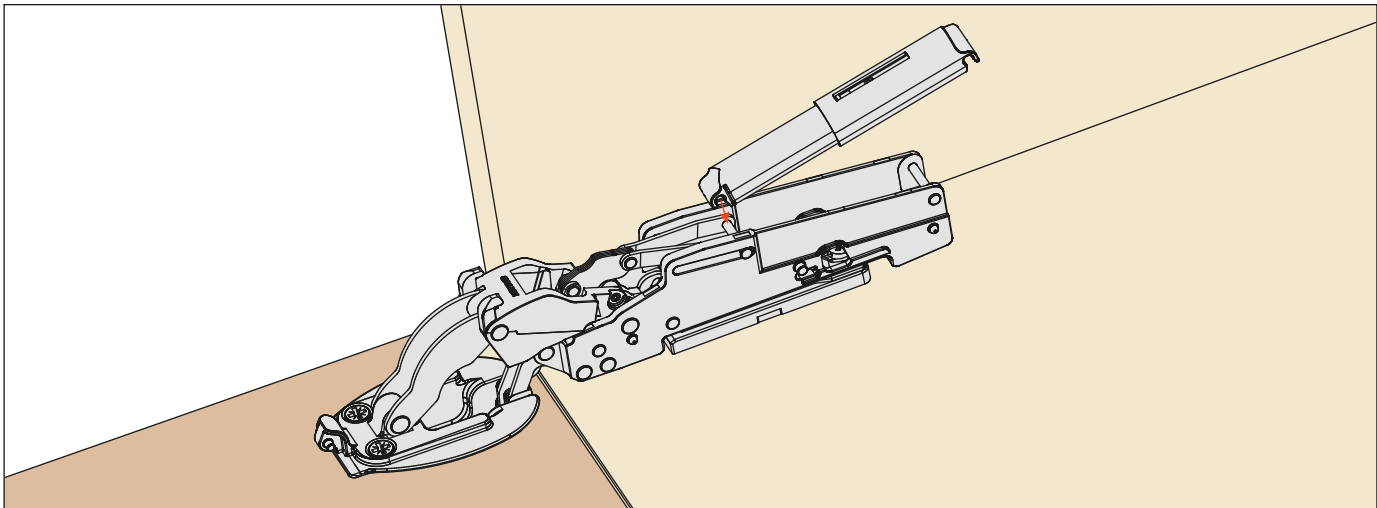


## Attach the security wood screw



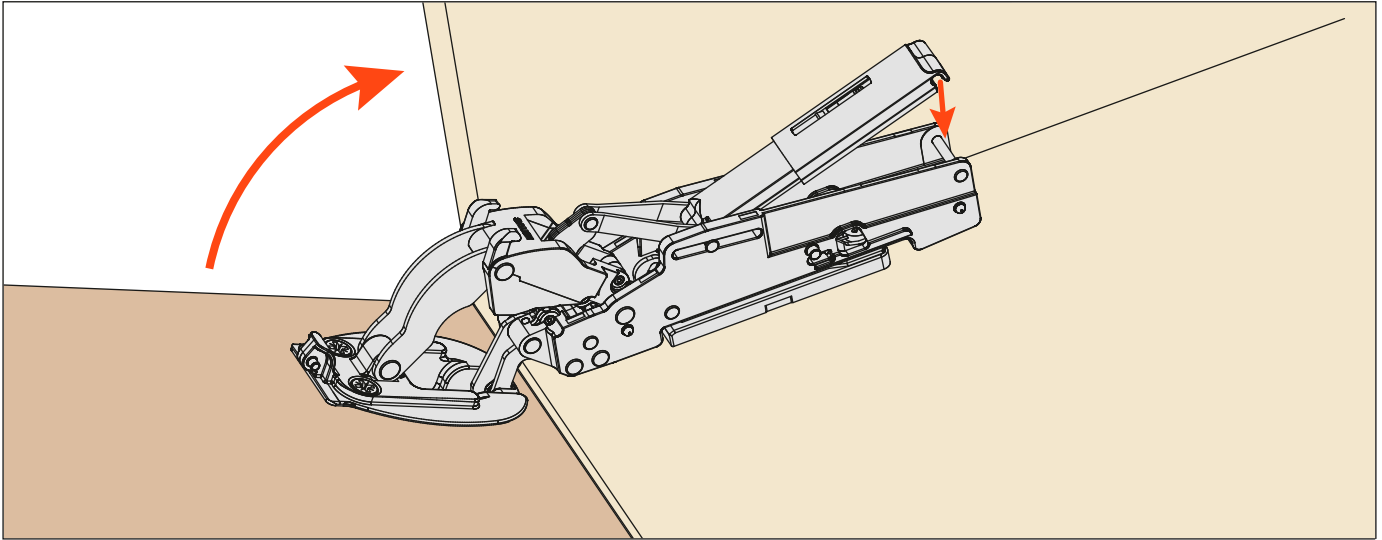
## Installing the Smove

Snap the narrow end of the Smove into position. This operation is tool-free.



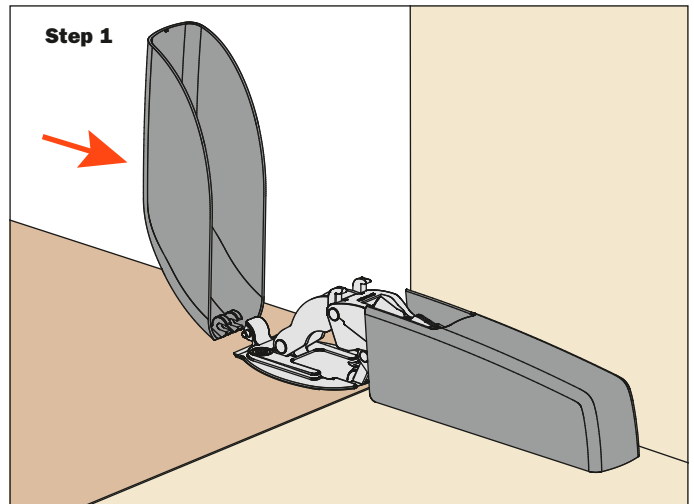
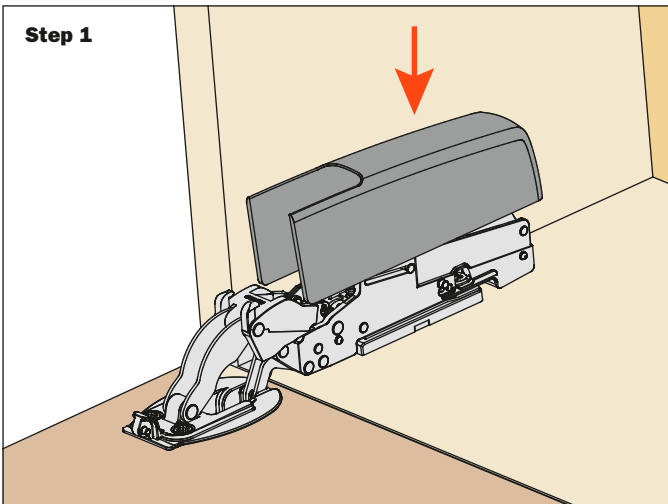
**PACTA - Assembly instructions**

Lift the door slightly and snap the other end of the Smove into position. This operation is tool free.

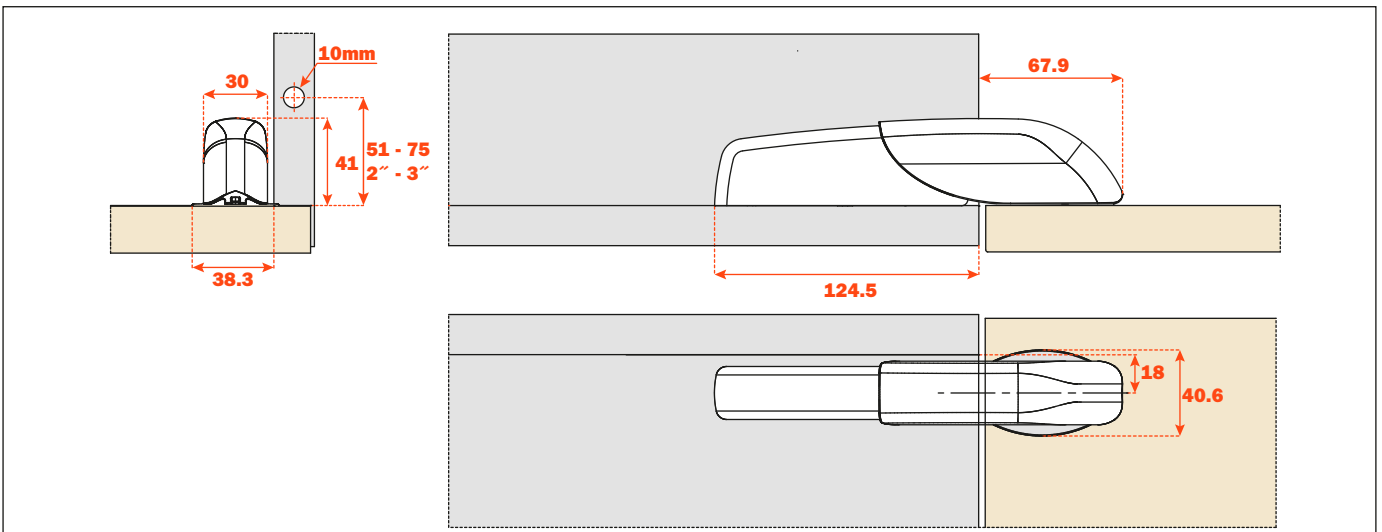


**Installing the cover.**

First install the cover to the hinge arm (step 1), then the cover to the cup (step 2) then rotate downwards.



**Dimensions**

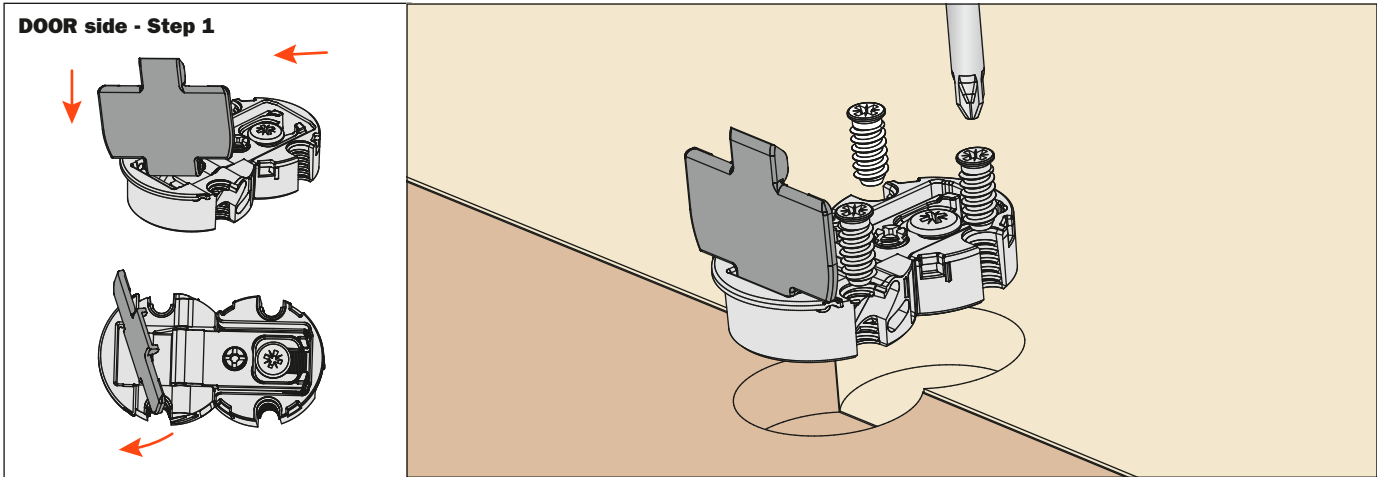


## Assembly instructions for the center hinge

### Installation of the center hinge.

Recommended to install a hinge for cabinets 30"/762 mm or wider.

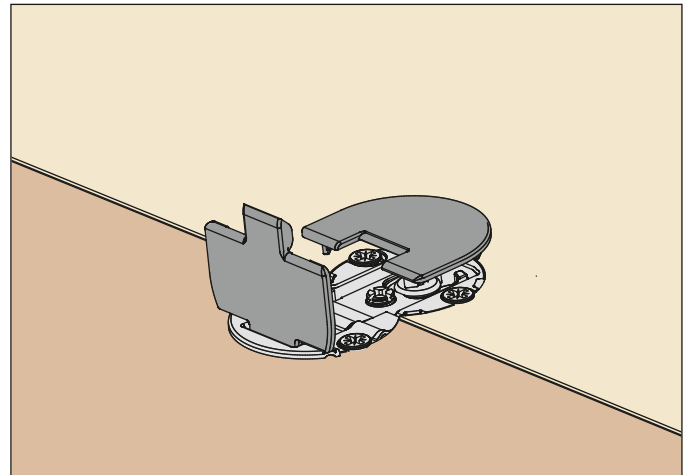
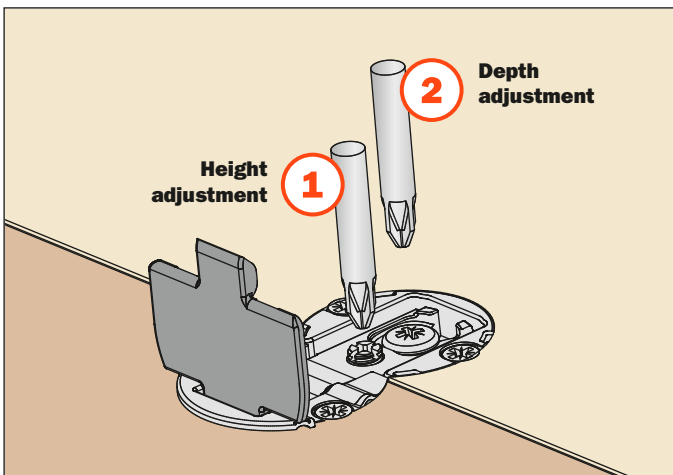
Install the cover cap onto the hinge according to the drawing (step 1) and then screw the hinge to the cabinet (step 2).



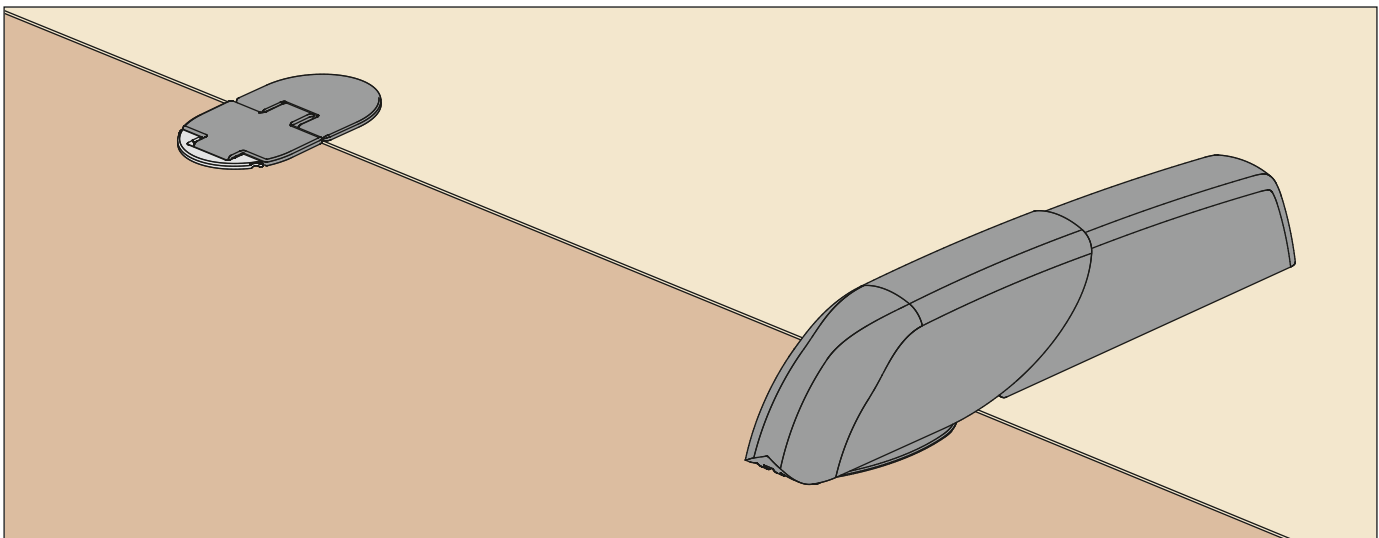
**After attaching the hinge, make any adjustments required.**

Use a #2 Pozi driver for all adjustments.

**Install the cover cap onto the hinge on the cabinet side.**



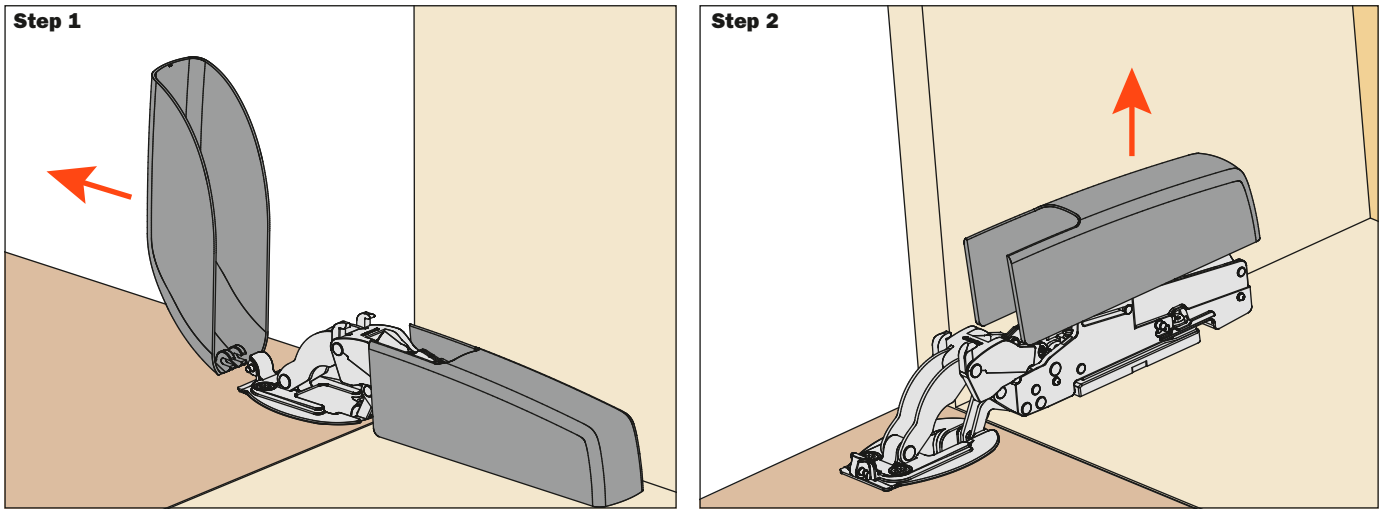
**Overall view of the mounted system.**



## PACTA - Disassembly instructions

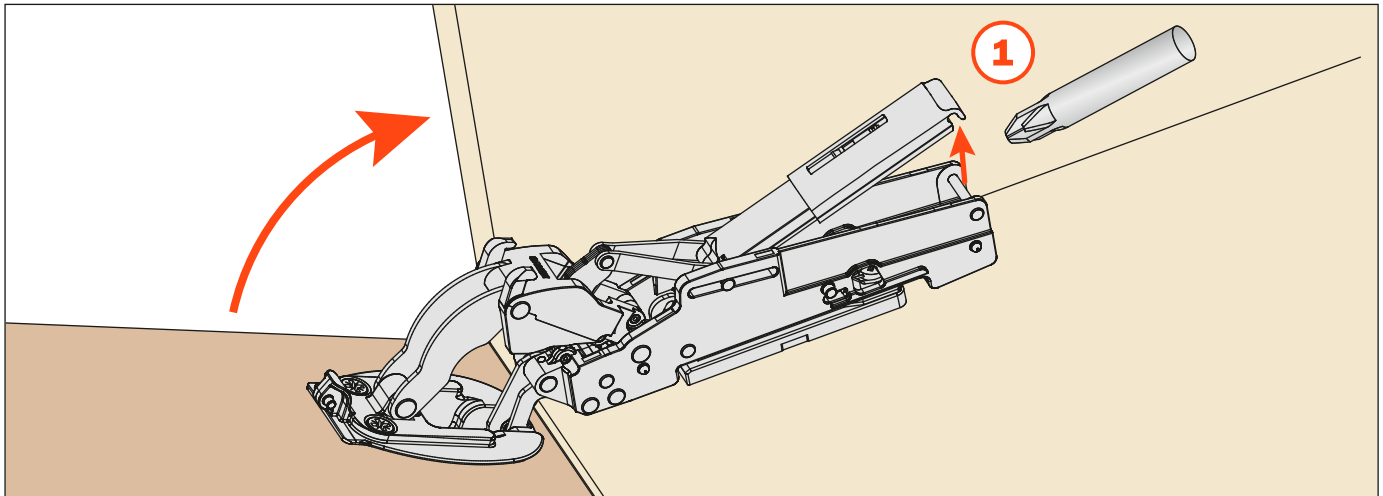
### Removal of the cover

First remove the cover from the hinge cup (step 1), then the cover from the arm (step 2).

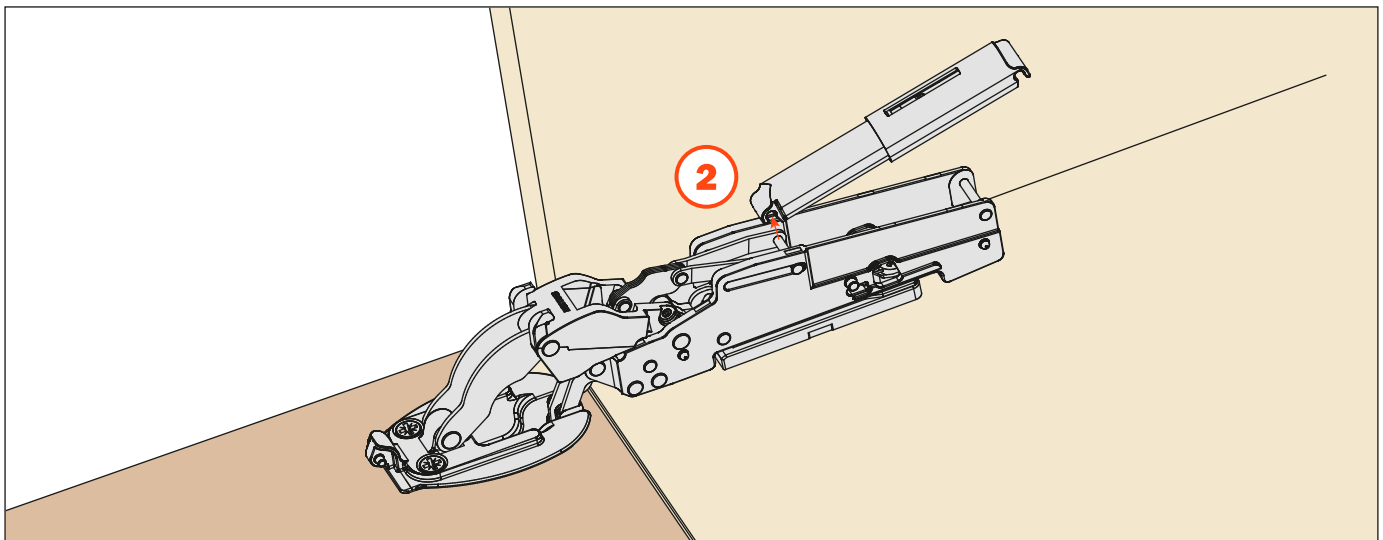


### Removing the Smove from the hinge arm

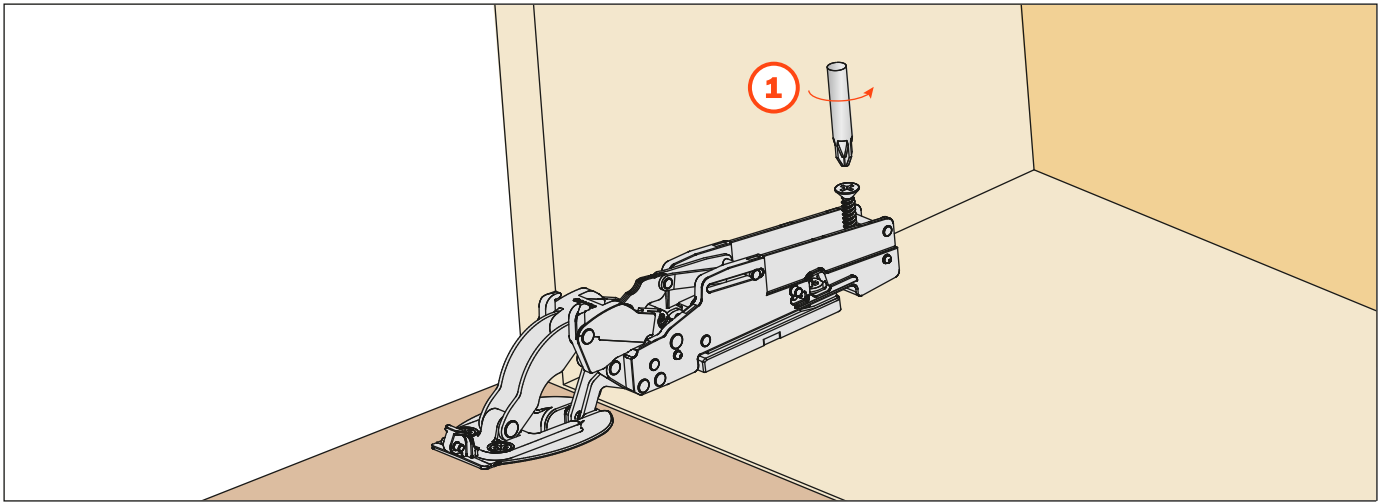
Lift the door slightly and un-snap the back of the Smove using a screwdriver.



Un-snap the other end of the Smove.



**Remove the security wood screw**



**Un-snap the hinge from the mounting plate with a screwdriver**

