

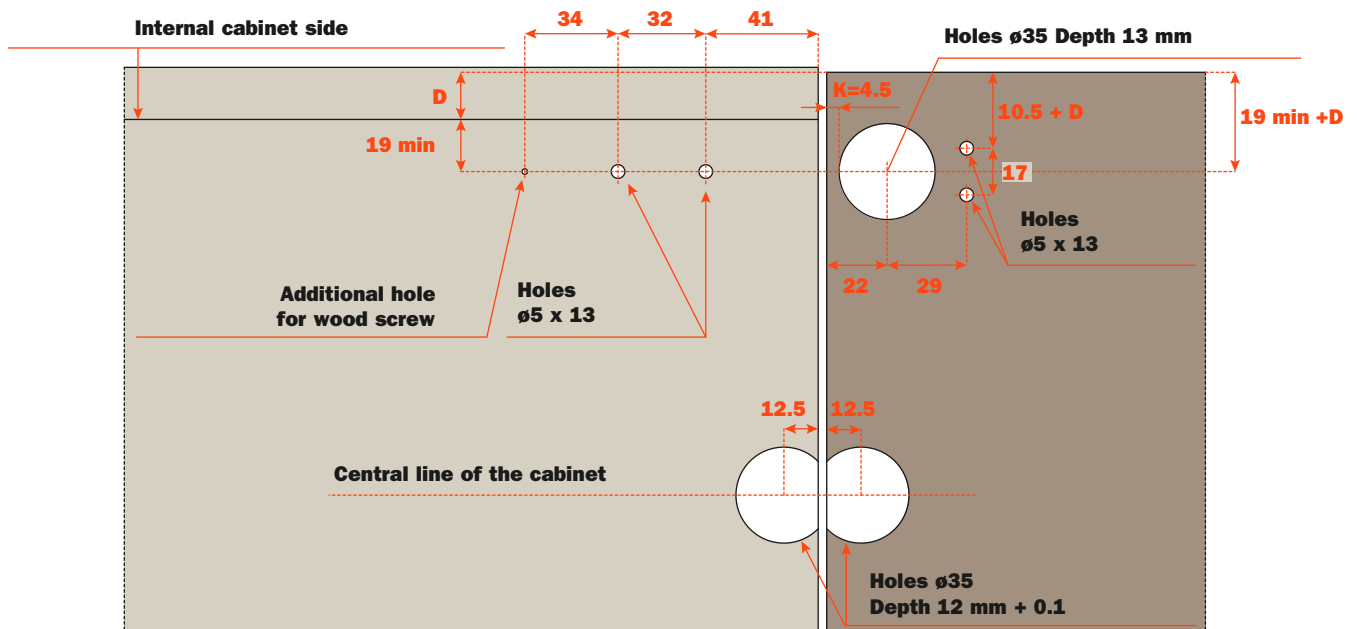
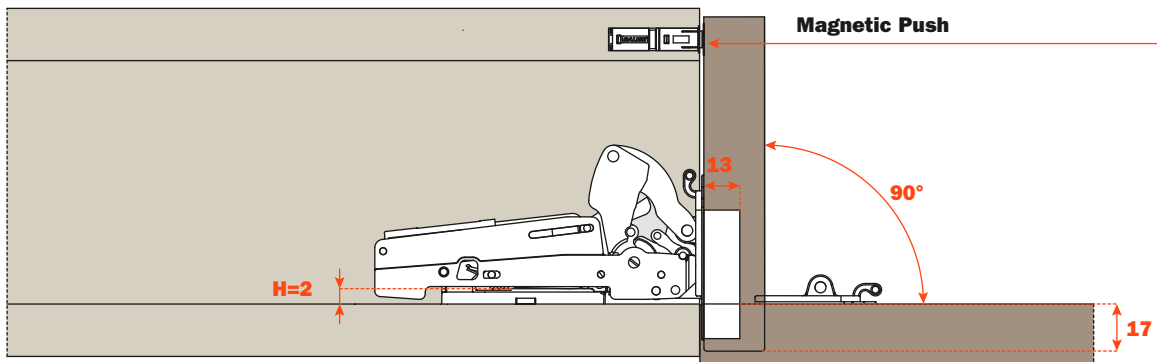
### Technical information

**Hinge for flap doors with decelerated opening.  
Push opening.**

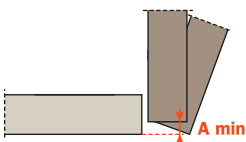
Fixing to the base of the cabinet with longitudinal snap-on mounting plate (BAPGR29/16).  
Standard drilling of the door  $\varnothing$  35.  
13 mm deep cup.  
90° opening.  
Fixed K = 4.5 mm.

**Pacta is tested and certified to level 3 of UNI EN 15828:2010**

### Drilling patterns



### Space needed to open the door



T=	16	17	18	19	20	21	22	23	24	25	26	27	28
K=4.5	<b>A=</b> 1.3	2.1	3	3.9	4.8	5.7	6.6	7.5	8.5	9.4	10.4	11.3	12.3