

EvoLift • Flap door opening system
Attachment instructions

Drilling pattern for wood door.

Hinges for doors with soft-close and handles

C2P6A99 - screw

C2R6A99 - dowel

Hinges for doors with Push opening

(Push hinges) for a more decisive opening

C2PPA99 - screw

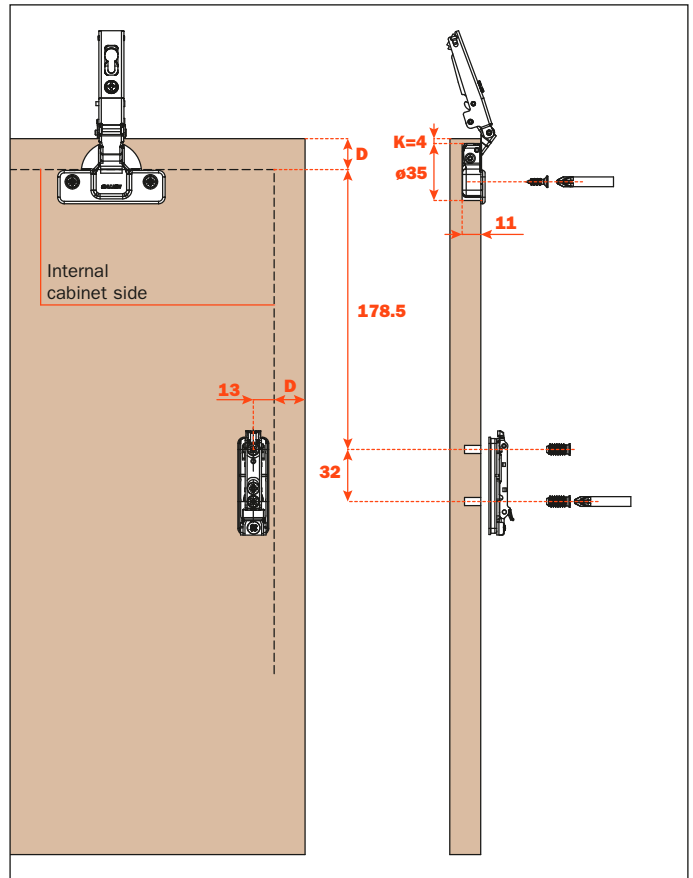
C2RPA99 - dowel

(unsprung hinges) for a softer opening

C2P4A99 - screw

C2R4A99 - dowel

D = side and upper overlay



Drilling pattern for alu-framed door width
min. 17 mm max. 24 mm.

For alu-framed door, attach the mounting plate to the appropriate adapter.

Hinges for doors with soft-close and handles

C2Z6A99 - screw

Hinges for doors with Push opening

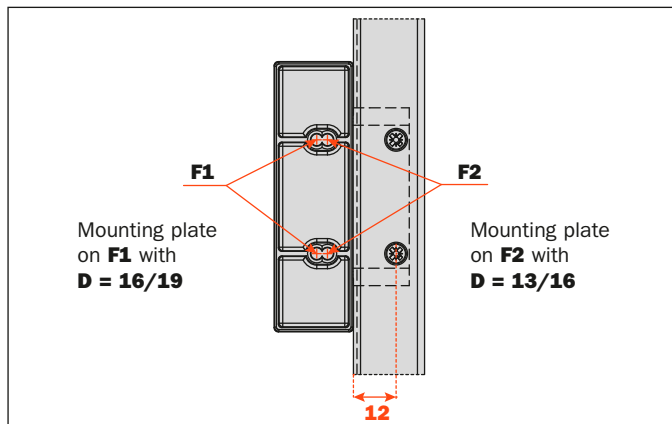
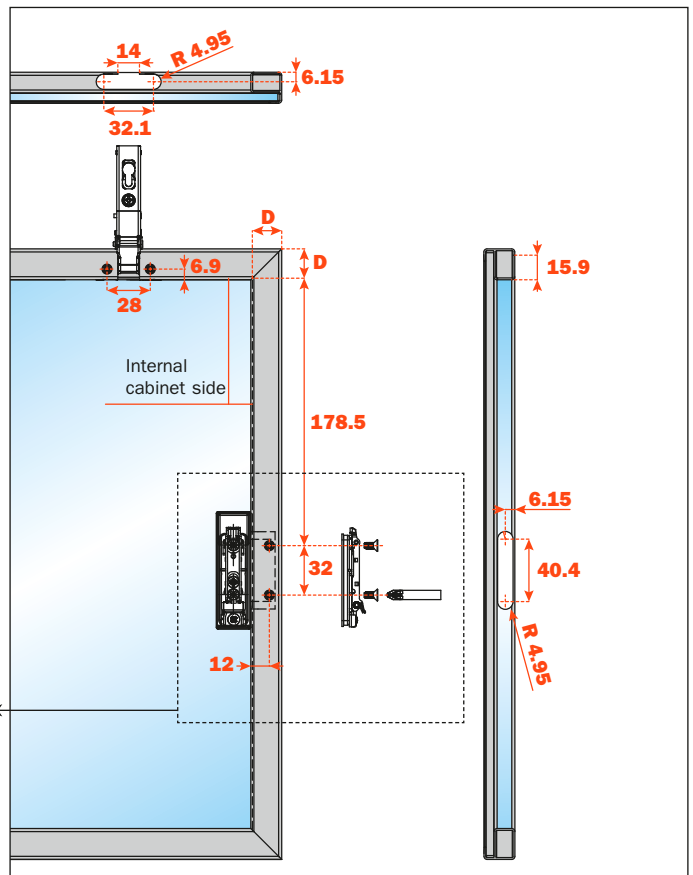
(Push hinges) for a more decisive opening

C2ZPA99 - screw

(unsprung hinges) for a softer opening

C2Z4A99 - screw

D = side and upper overlay





Drilling pattern for alu-framed door width min. 45 mm.

Hinges for doors with soft-close and handles

C2P6A99 - screw

C2R6A99 - dowel

Hinges for doors with Push opening

(Push hinges) for a more decisive opening

C2PPA99 - screw

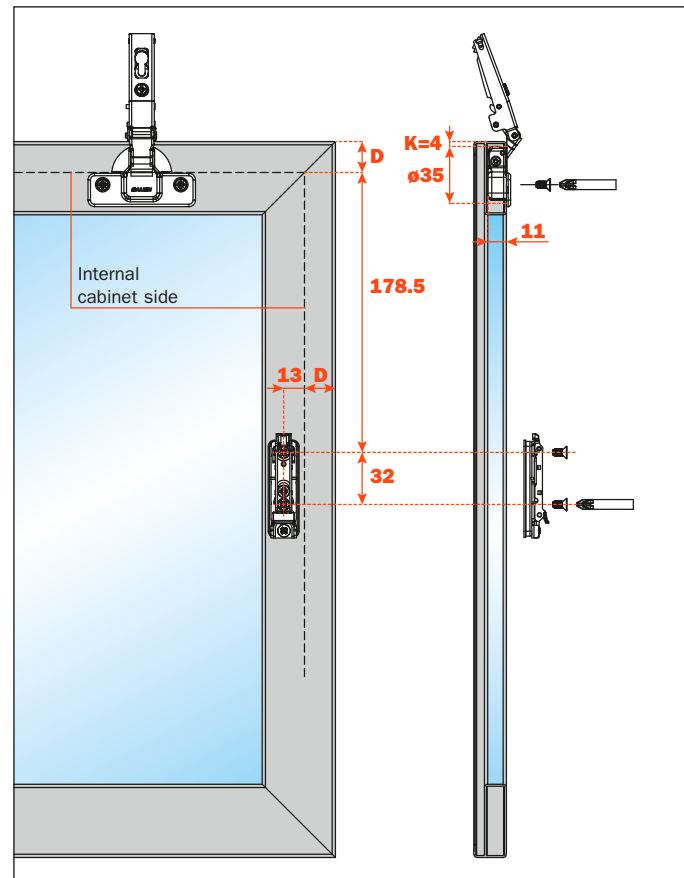
C2RPA99 - dowel

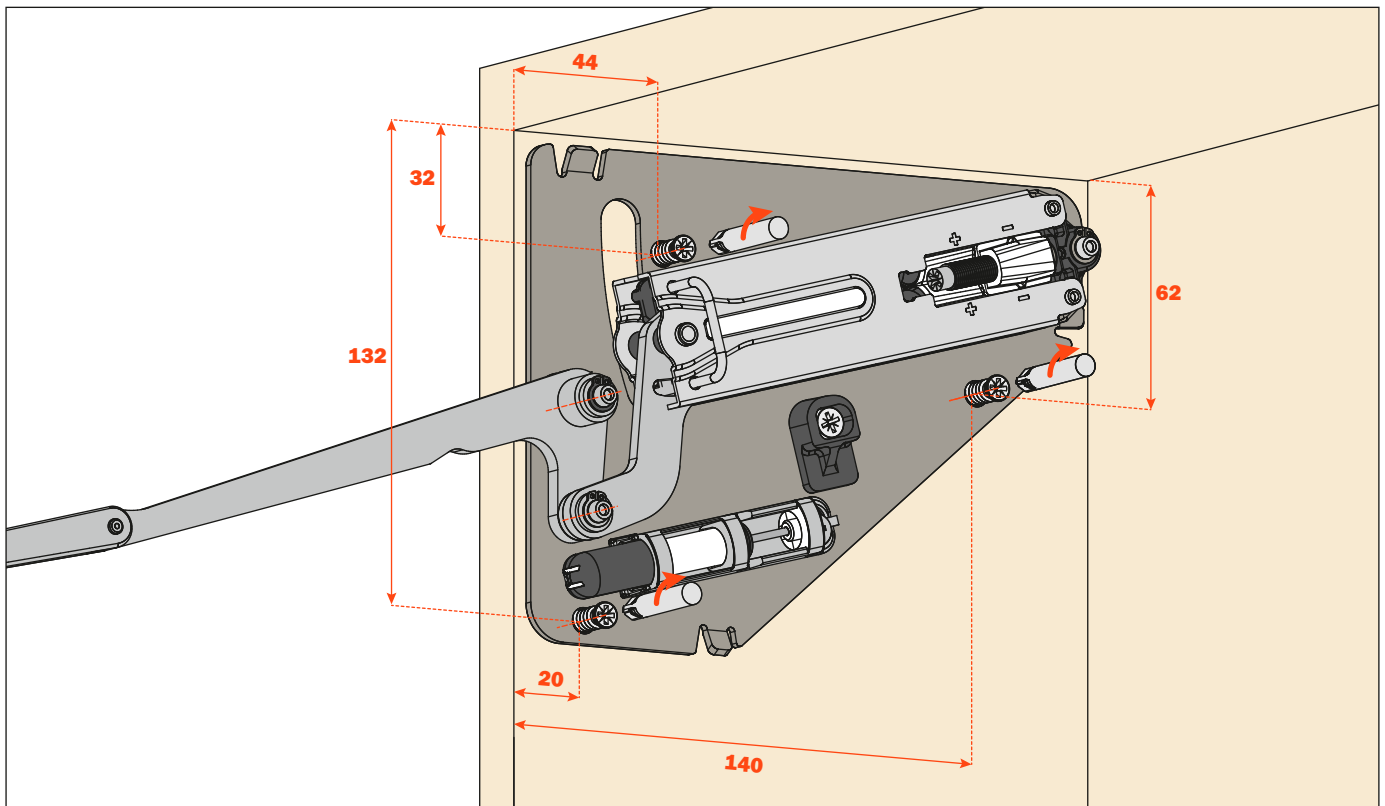
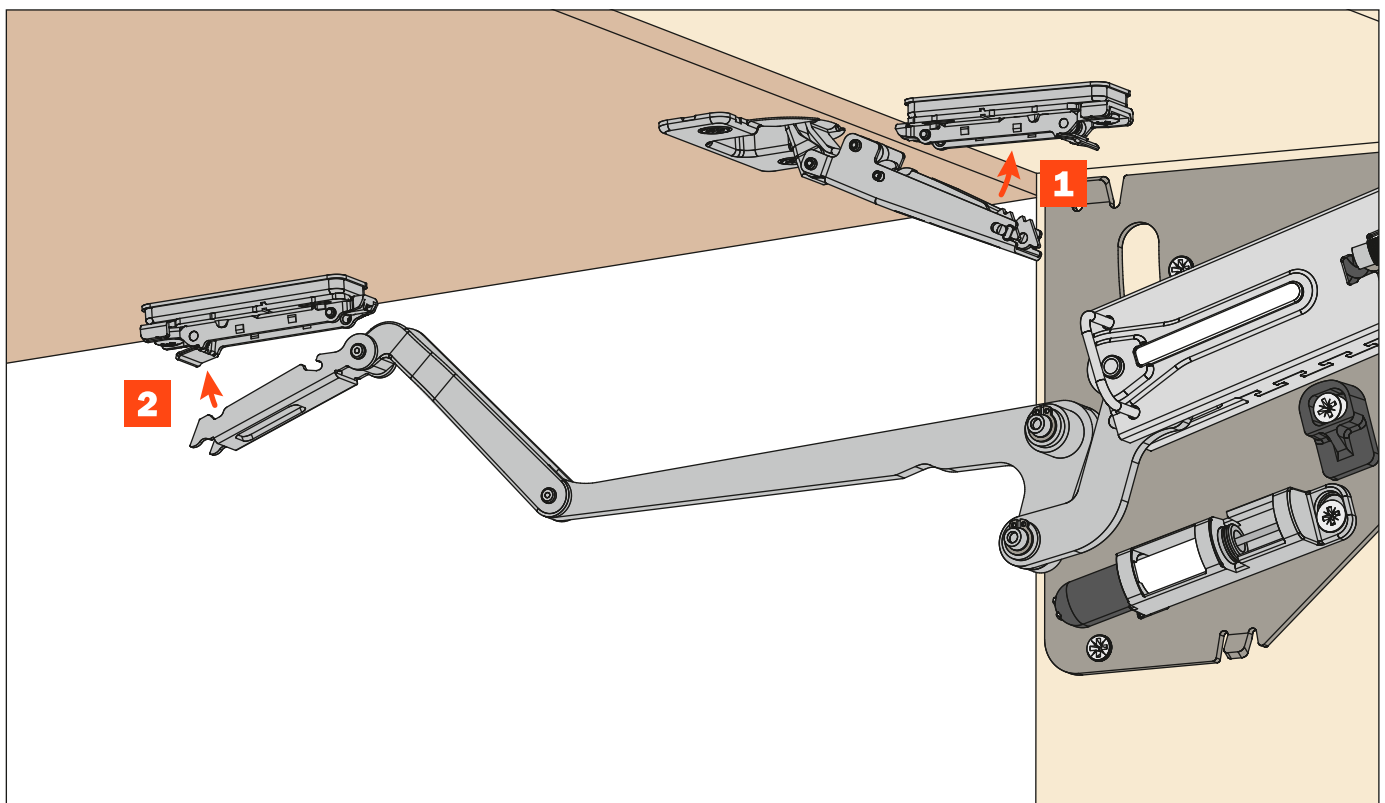
(unsprung hinges) for a softer opening

C2P4A99 - screw

C2R4A99 - dowel

D = side and upper overlay

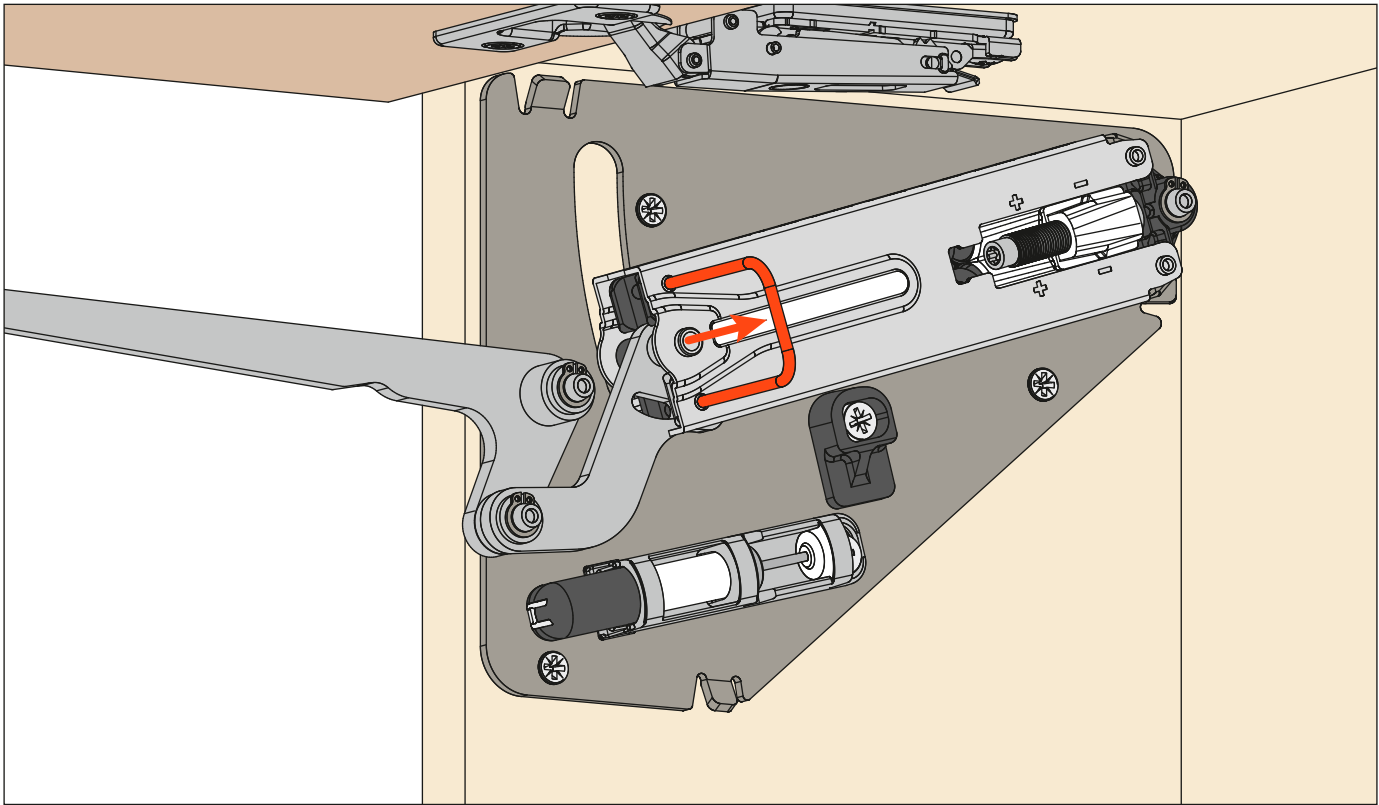


**EvoLift • Flap door opening system
Attachment instructions****Attaching the system to the cabinet side.**Drilling depth 12 mm - Hole diameter \varnothing 5 mm**Attaching the door to the cabinet.**



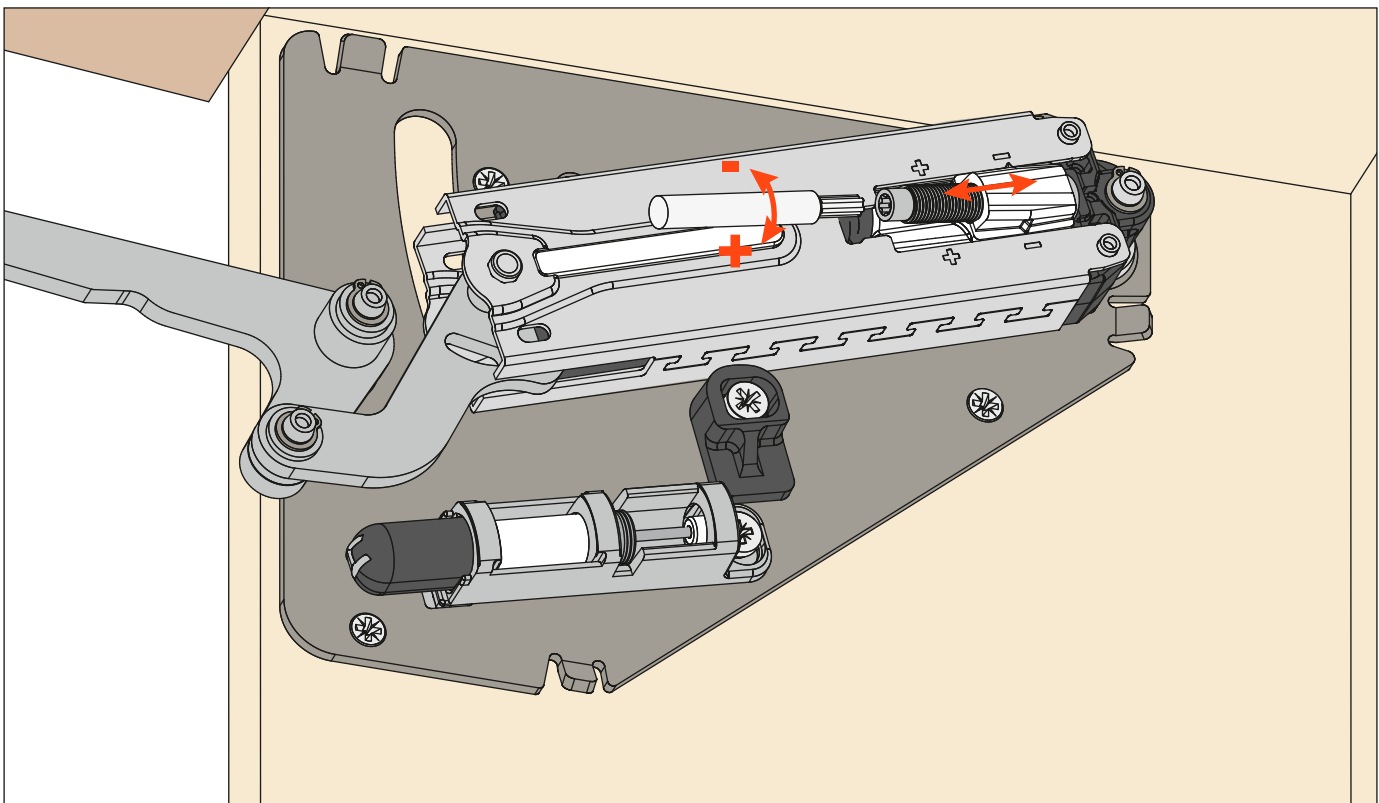
Removing the safety clip.

Lower the door slightly until the safety clip can be easily removed.



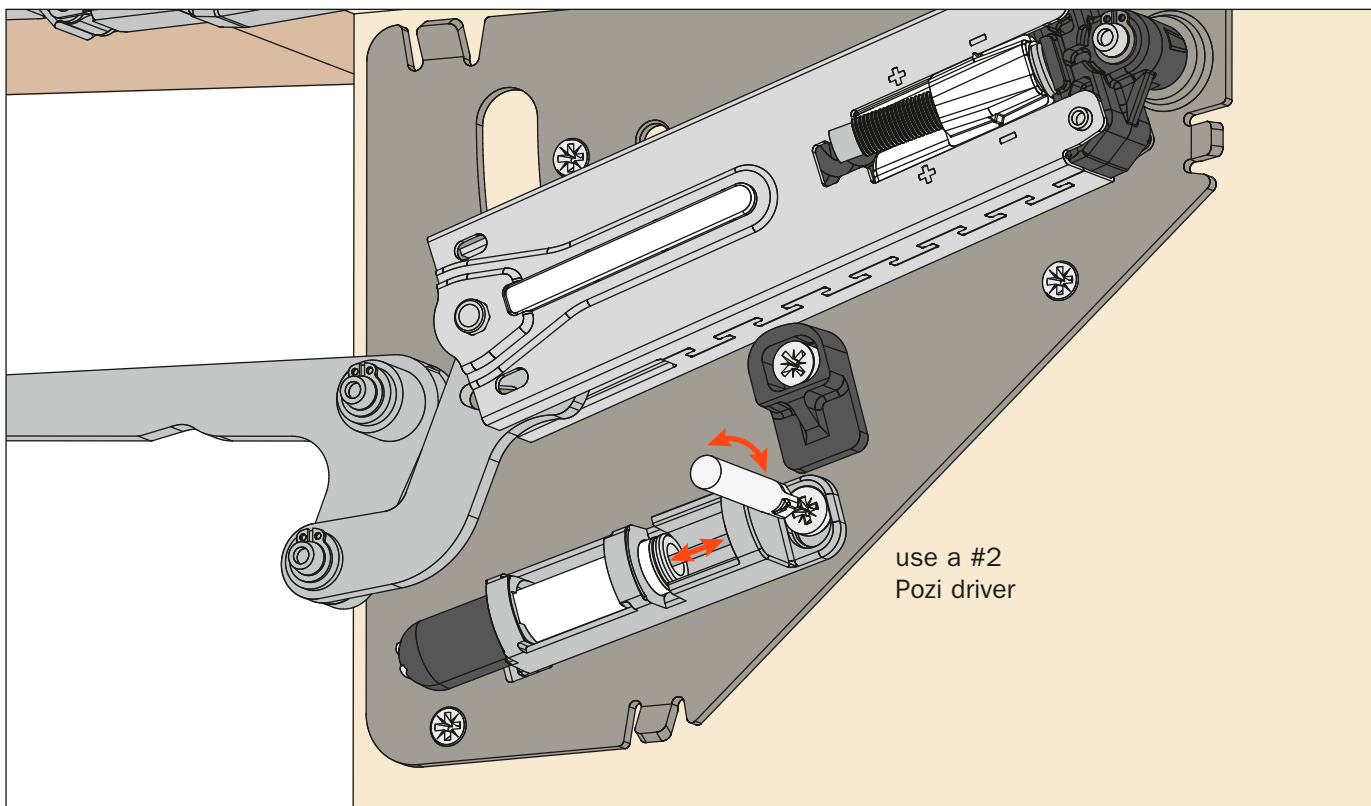
Adjustment of the system strength.

Use a Torx bit T20.

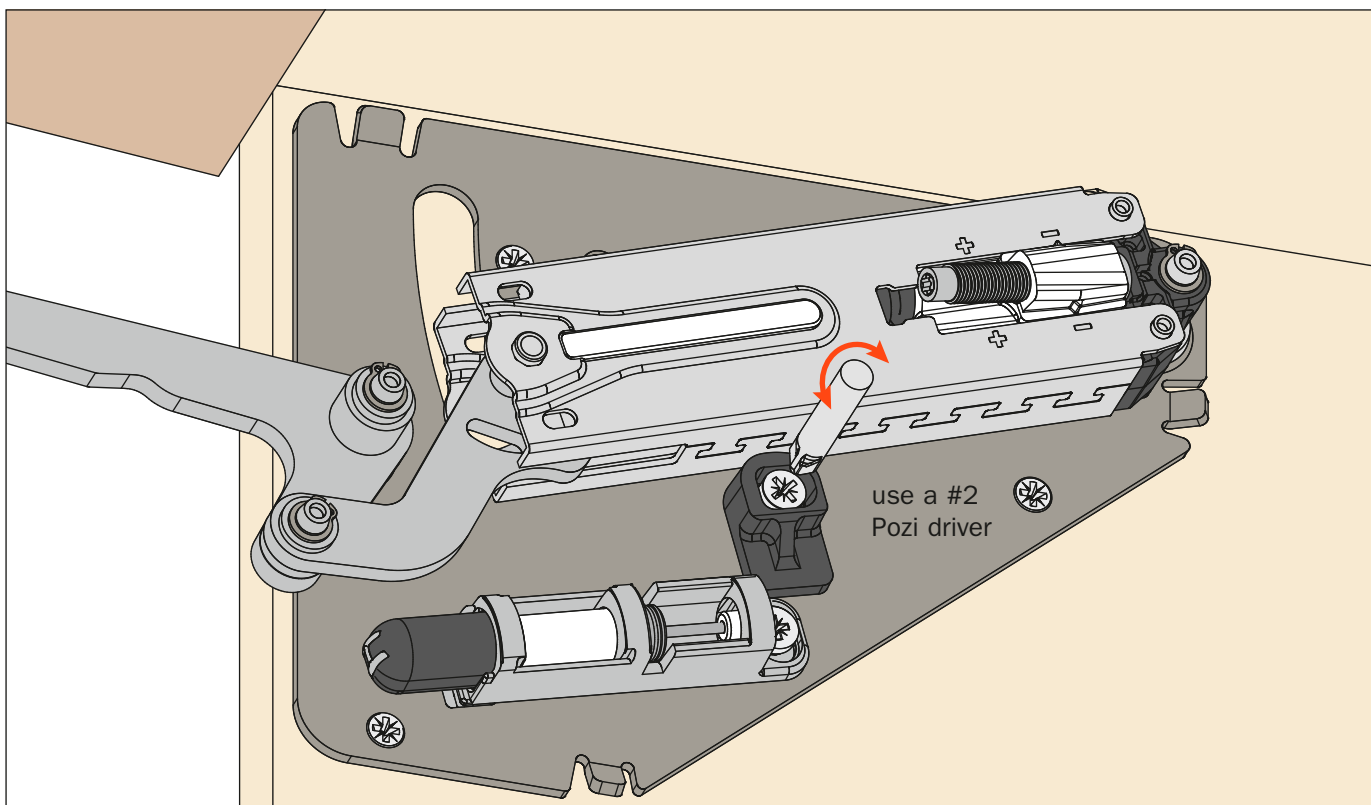


**EvoLift • Flap door opening system
Attachment instructions**

Adjustment of the soft close.

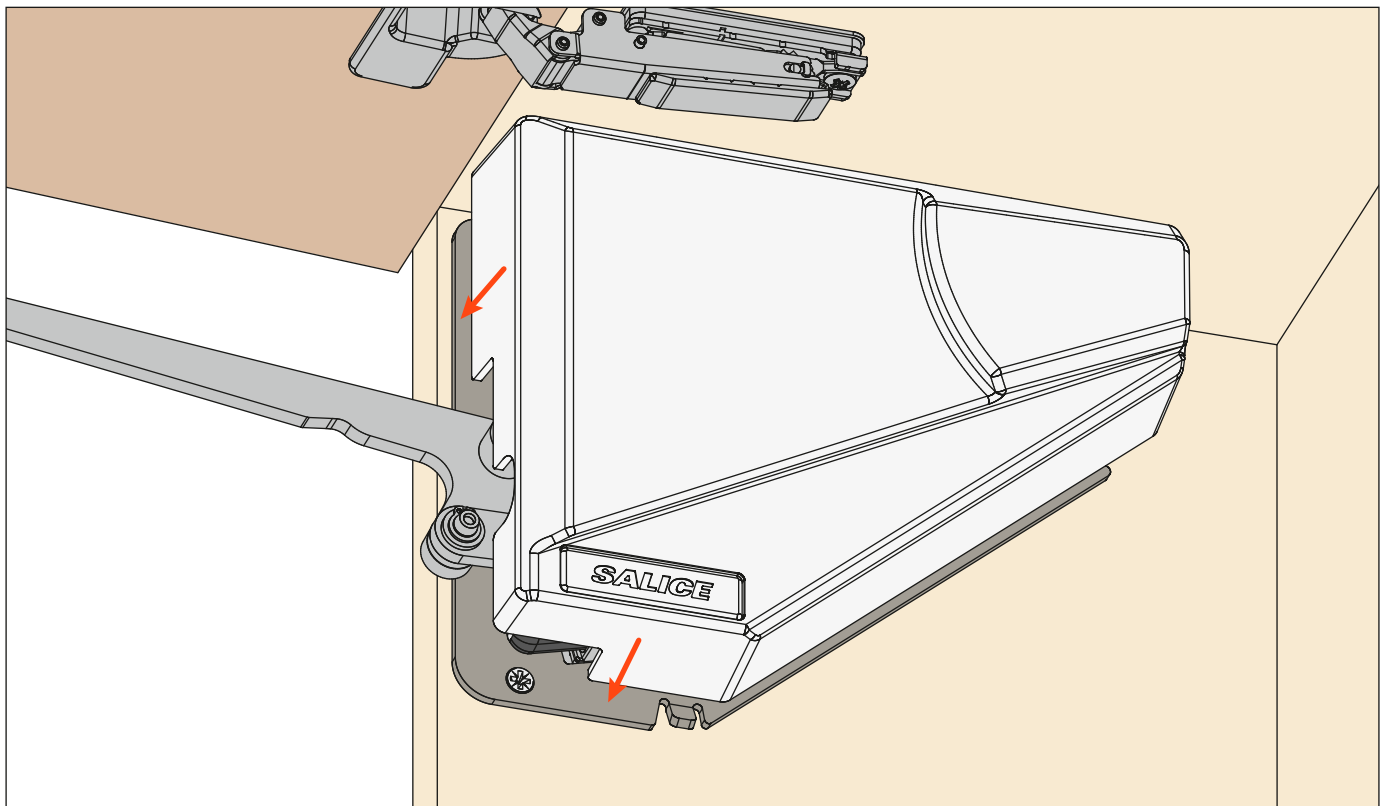


Adjustment of the opening angle of the door, by cam, from 80° to 92°.

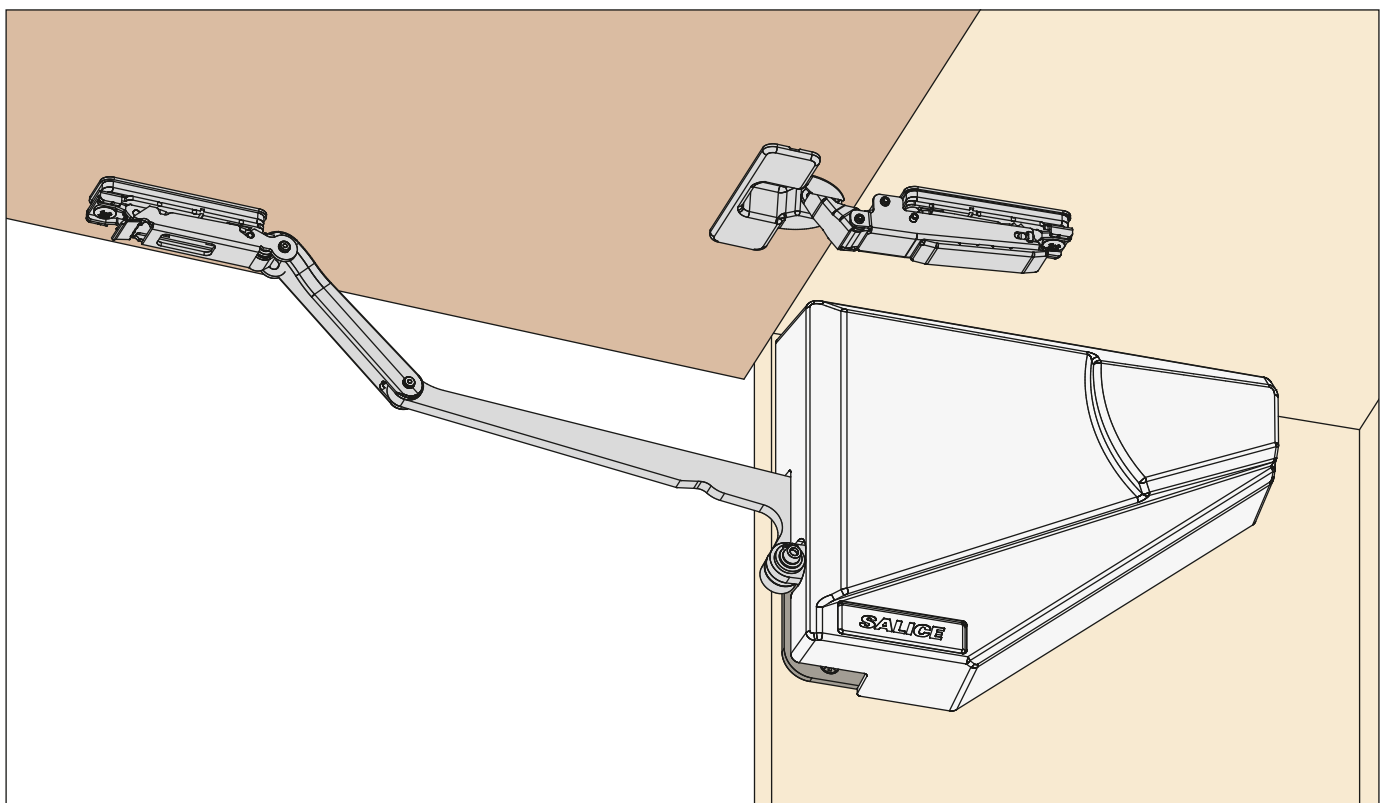


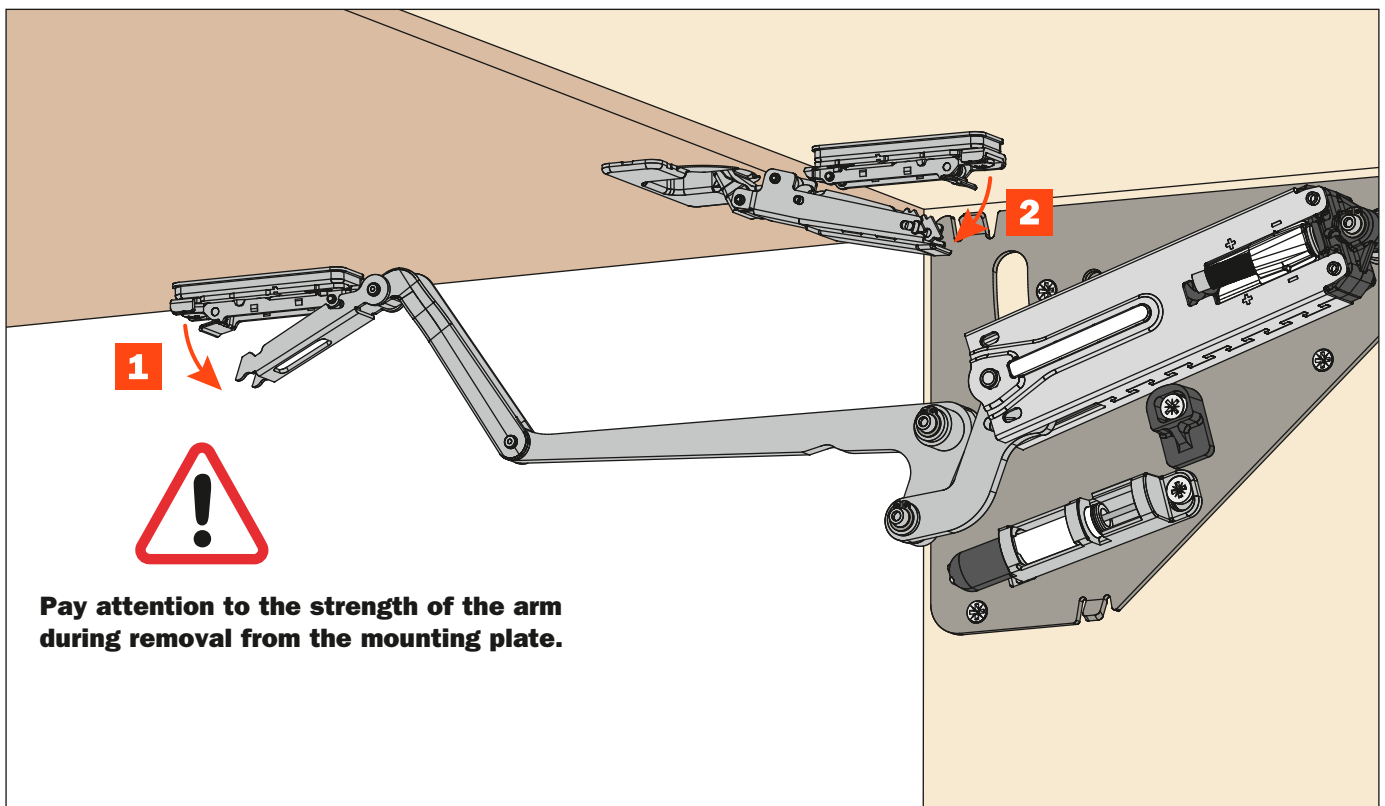


Installing the cover.



View of the mounted system.



EvoLift • Flap door opening system**Removal of the door.**



Dimensions of the system.

