

WIND



The Wind lift system is characterized by compactness and elegant design.

Its movement is smooth and perfectly controlled. Wind is small and unobtrusive, enabling the maximum utilization of cabinet internal space. Suitable for Kitchen cabinets, living room or bedroom furniture and office furniture.

In the kitchen environment, Wind has strong functional appeal - a compact adjustable lift system that takes up a minimum of valuable storage space.

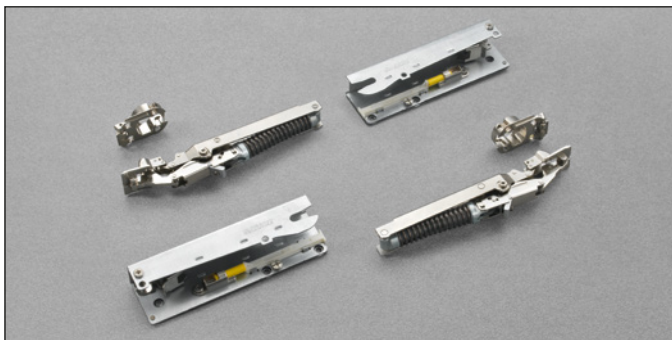
Aesthetics also play a key role with Wind's small size and streamlined shape adding significantly to the overall appeal of the cabinets to which it is installed.

Wind is available in a range of attractive finishes designed to complement the vast range of cabinet applications that it can be used for.

Wind Lift system is a simple program that covers a large variety of door sizes.



Wind

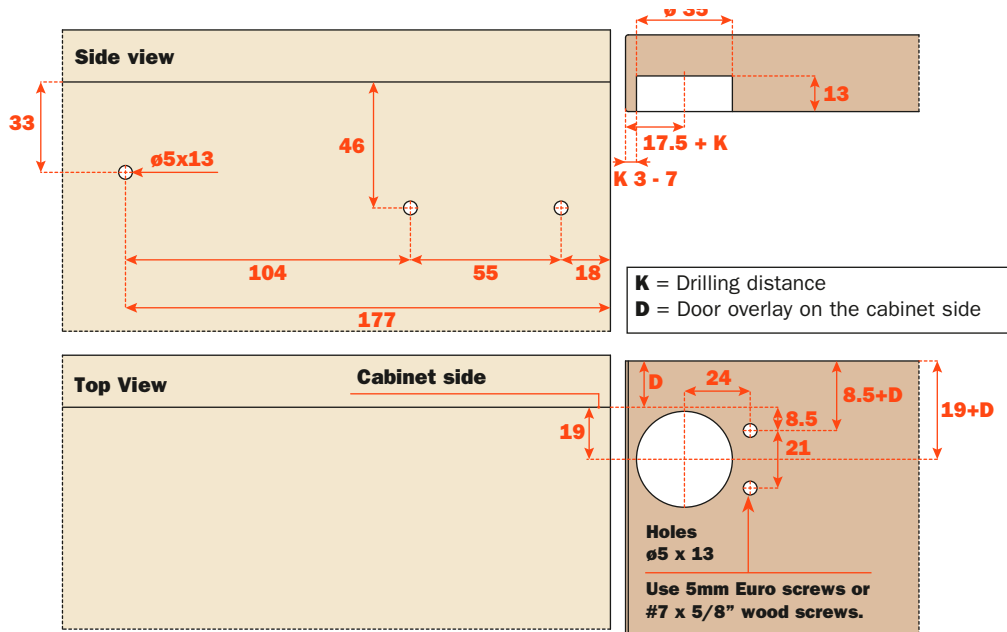


Technical information

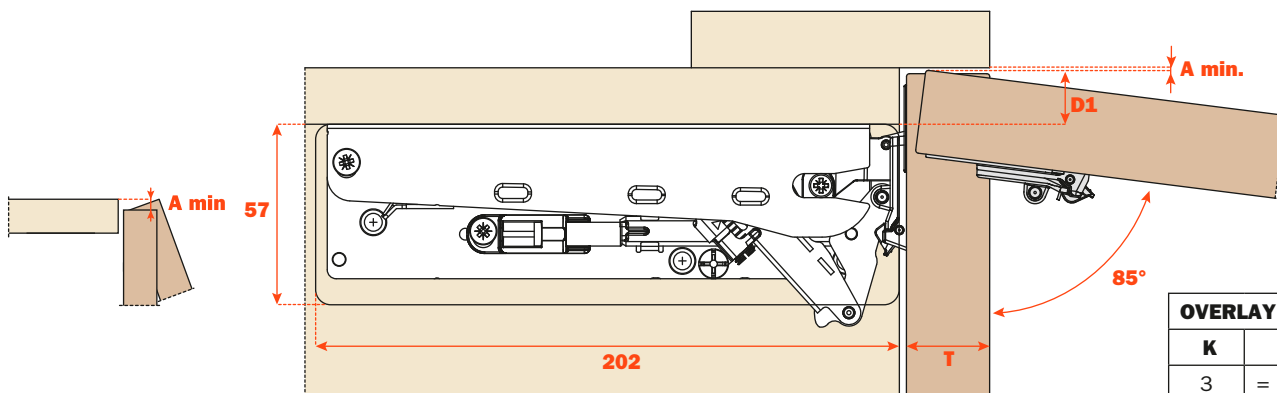
Flap door lift system fixed to the cabinet sides.

Drilling of the door $\phi 35$.
 13 mm deep cup.
 85° opening with stop device (premounted).
 94° opening without stop device.
 Minimum door height 220mm / 8-5/8"
 Maximum door height 610mm / 24"
 Possible drilling distance on the door (K): from 3 to 7 mm.

Drilling pattern - Dimensions Frameless



Space needed to open the door



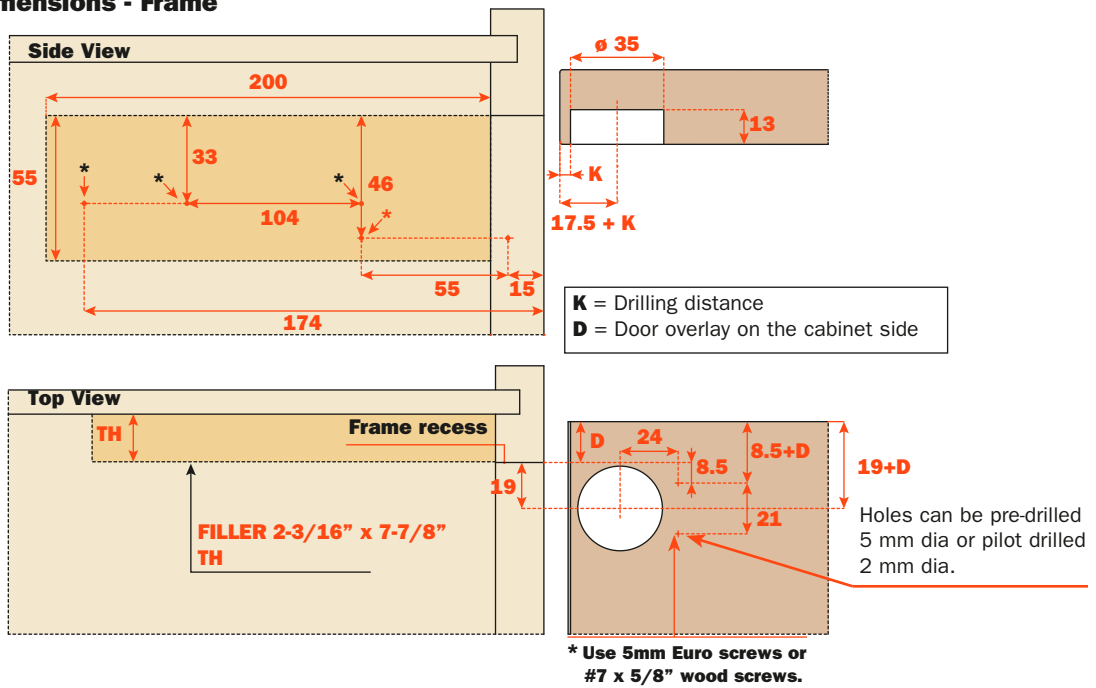
MINIMUM REVEAL TABLE														
	T=	16	17	18	19	20	21	22	23	24	25	26	27	28
K=3	A=	0	0.1	0.1	0.2	0.2	0.3	0.5	0.6	0.7	0.9	1.1	1.8	2.7
K=4	A=	0	0.1	0.1	0.2	0.2	0.3	0.4	0.6	0.7	0.9	1.1	1.3	2.1
K=5	A=	0	0.1	0.1	0.2	0.2	0.3	0.4	0.6	0.7	0.9	1.1	1.3	1.5
K=6	A=	0	0.1	0.1	0.2	0.2	0.3	0.4	0.6	0.7	0.9	1.0	1.2	1.5
K=7	A=	0	0.1	0.1	0.2	0.2	0.3	0.4	0.6	0.7	0.8	1.0	1.2	1.4

OVERLAY TABLE		
K	=	D1
3	=	16
4	=	17
5	=	18
6	=	19
7	=	20

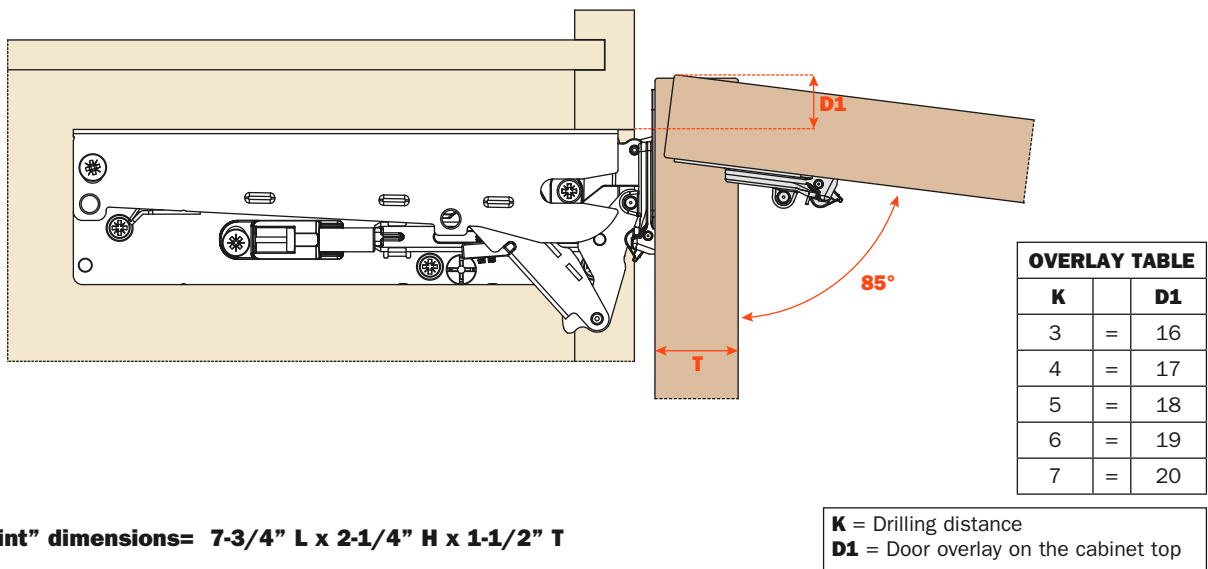
K = Drilling distance
D1 = Door overlay on the cabinet top
A = Min Reveal

Note: When using Salice one piece face frame hinges, the first hole location should be 15mm to match the L value of the hinges.
 When using Salice Euro hinges with adapter mounting plates the first hole location should be 18mm to match the L value of the hinges.

Drilling pattern - Dimensions - Frame



Space needed to open the door



Wind "Footprint" dimensions= 7-3/4" L x 2-1/4" H x 1-1/2" T