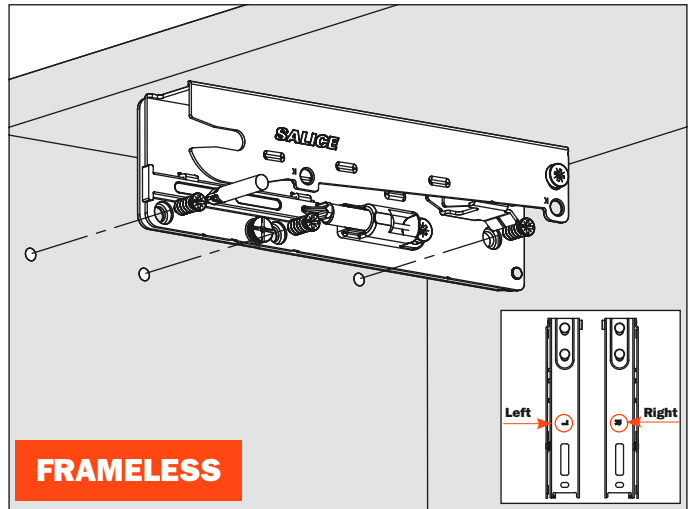
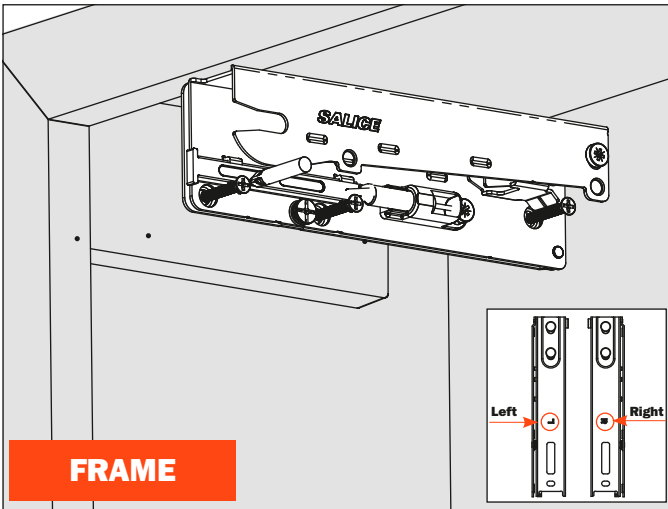


WIND - Assembly instructions

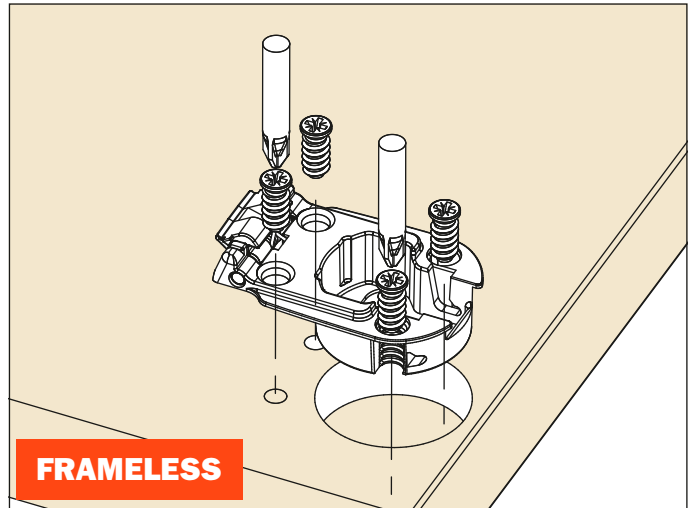
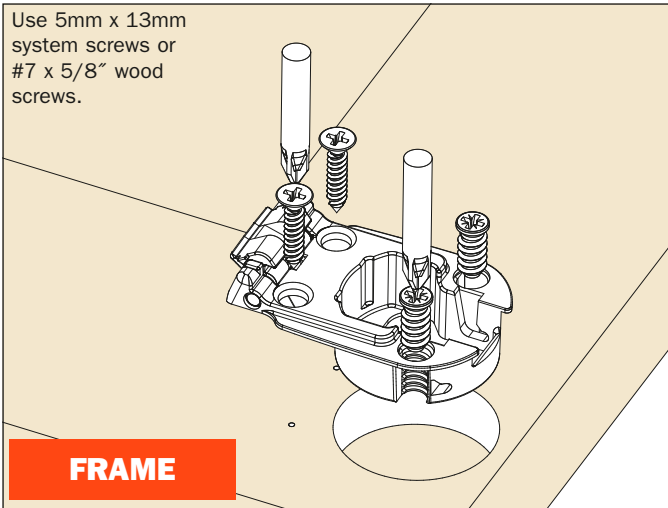
Attaching the base to the cabinet sides

Use 5mm x 13mm system screws or #7 x 5/8" wood screws.



Installing the cups to the door

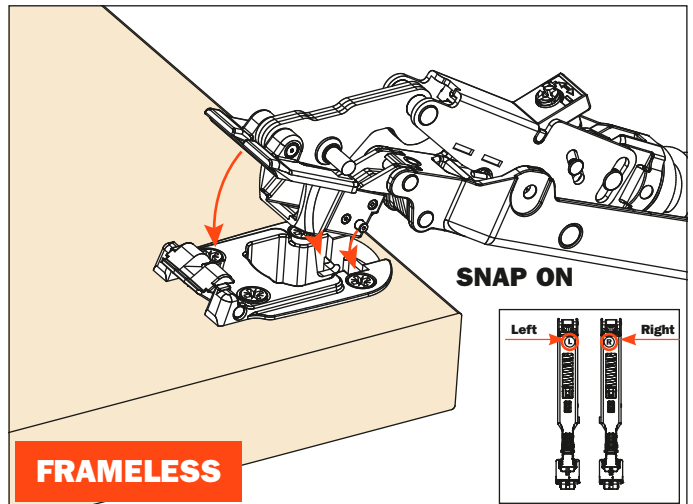
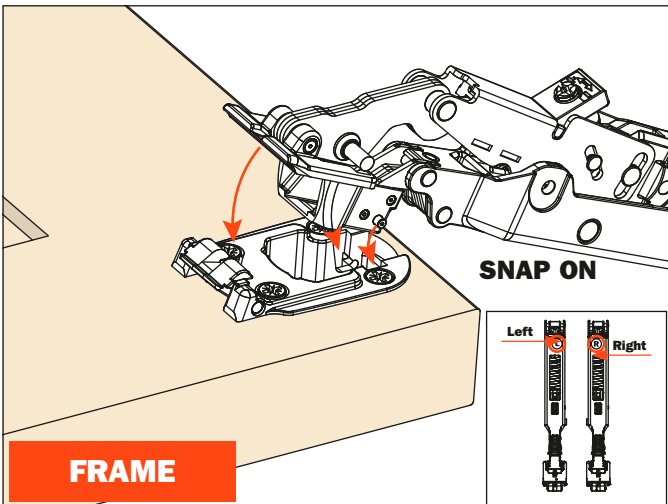
Use 5mm x 13mm system screws or #7 x 5/8" wood screws.



Connecting the lift mechanism to the cups

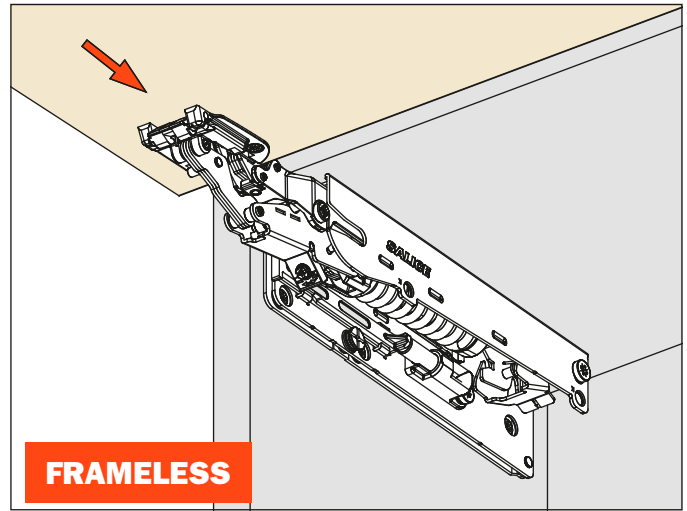
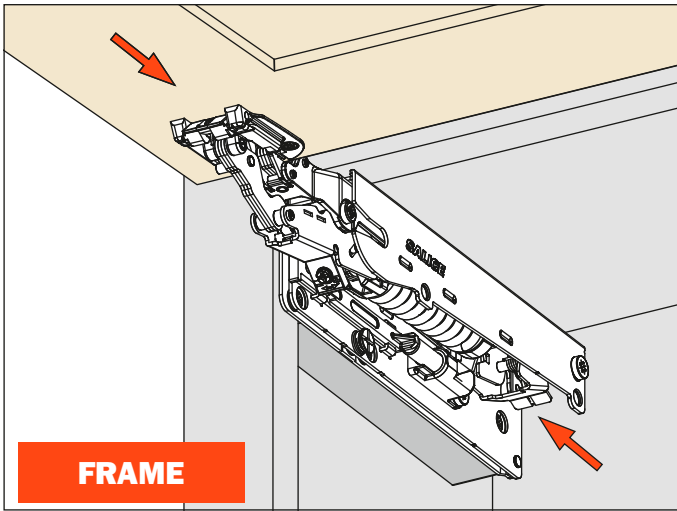
This operation is tool free.

Note: LH lift mechanism must be installed in LH base, RH lift mechanism must be installed in RH base.

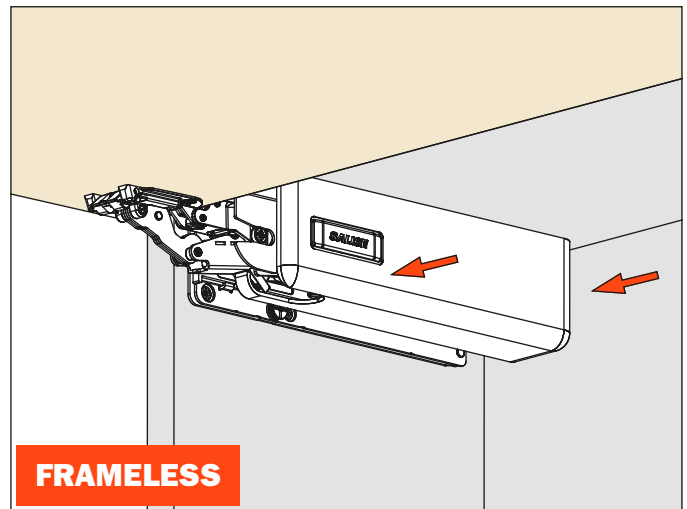
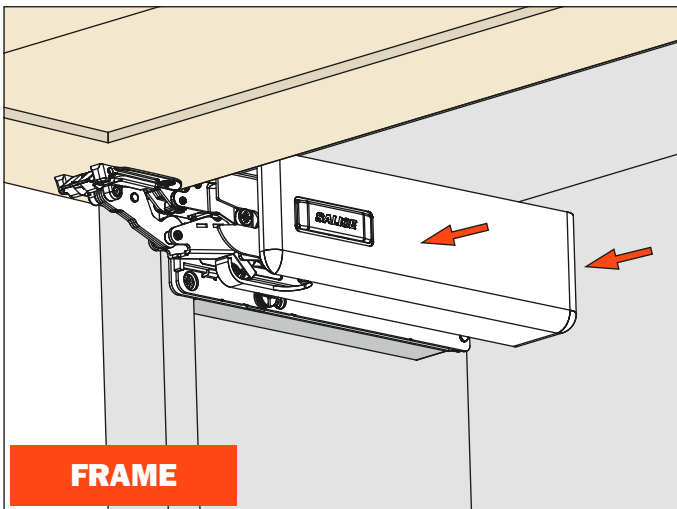


Connecting the lift system to the base

This operation is tool free.



Installing the covers



WIND - Adjustments



WARNING ! Security cable ties.

Remove the cable ties only at the end of the assembly.
Use the instructions and the QR Code attached to the systems.

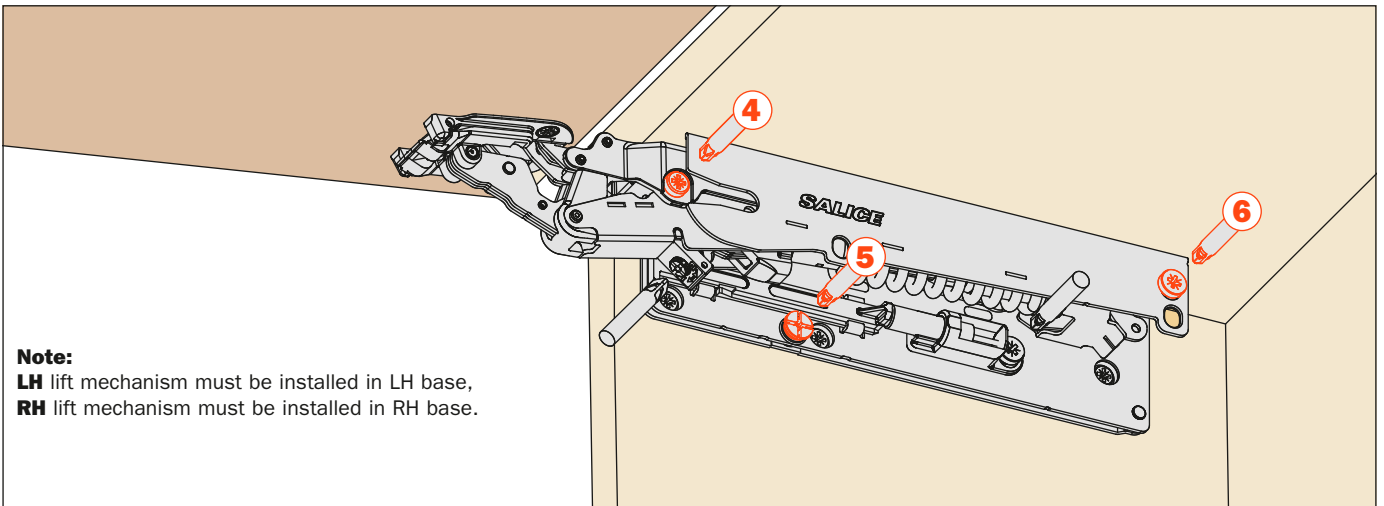
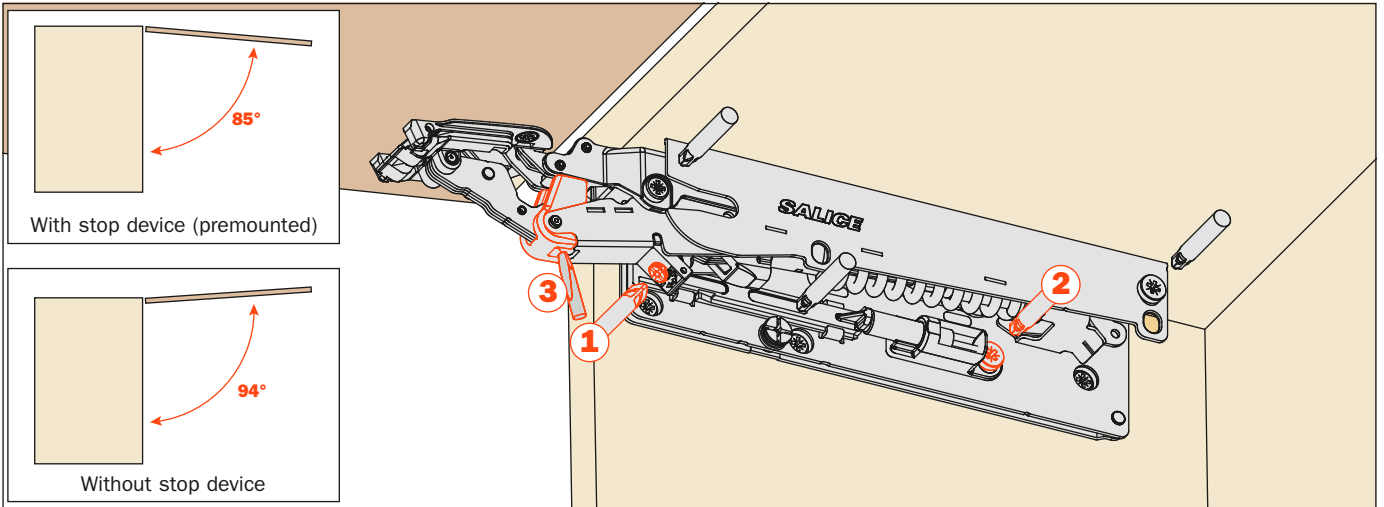


Adjustments.

- 1 - adjustment of the spring strength.
- 2 - adjustment of the decelerating effect.
- 3 - removal of the angle reduction clip.

- 4 - height adjustment of the door from - 2 to +2.
- 5 - side adjustment of the door from - 2 to +2.
- 6 - depth adjustment of the door from - 1 to +3.

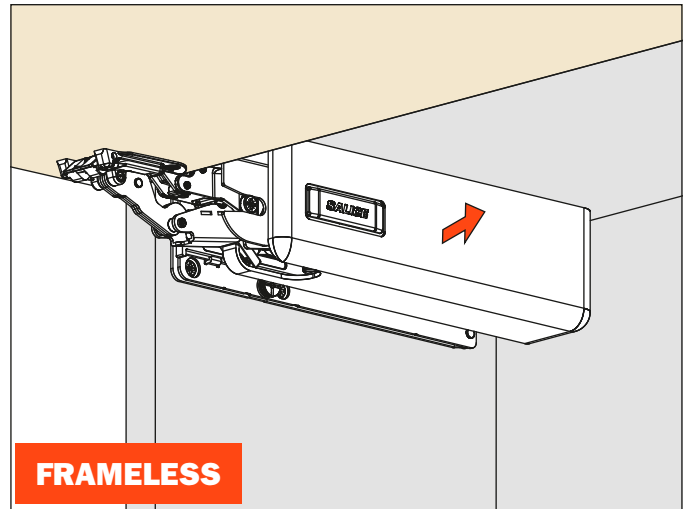
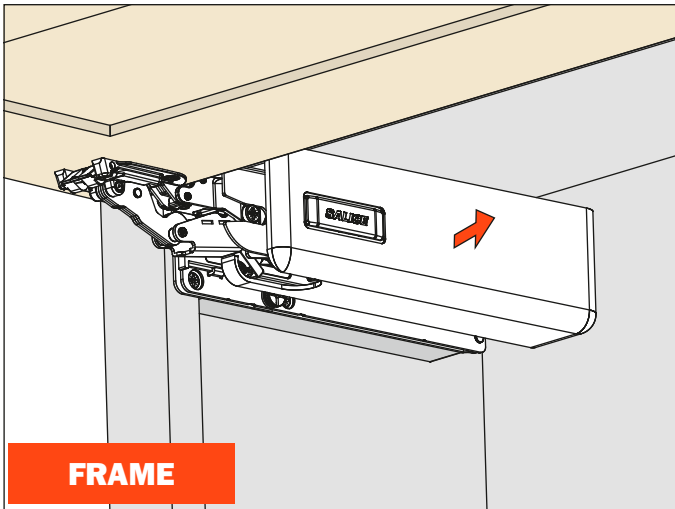
Note: Use a #2 Pozi screwdriver on all adjustment screws.



Note:
LH lift mechanism must be installed in LH base,
RH lift mechanism must be installed in RH base.

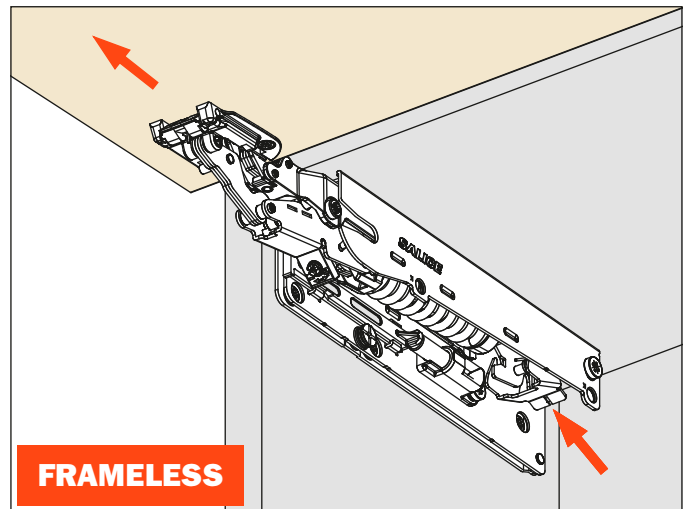
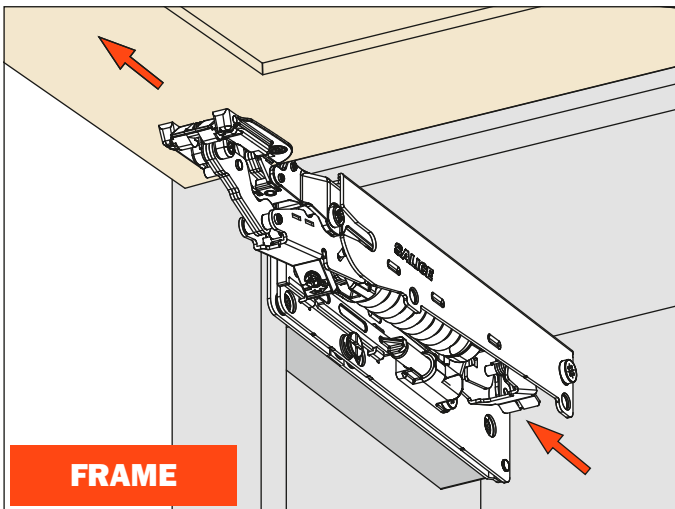
Disassembly instructions

Removal of the covers



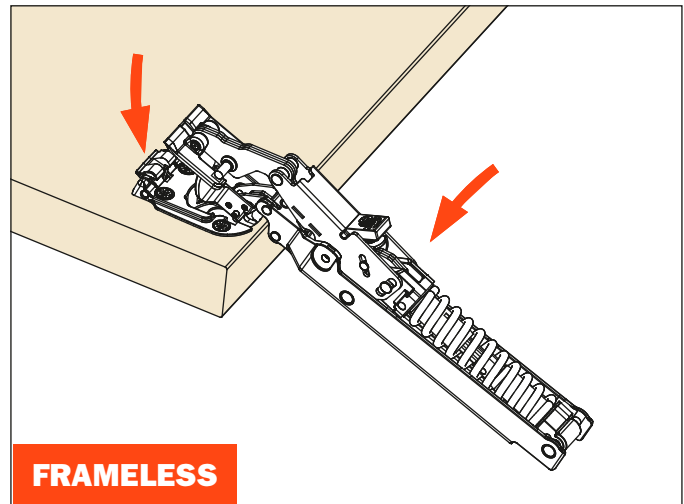
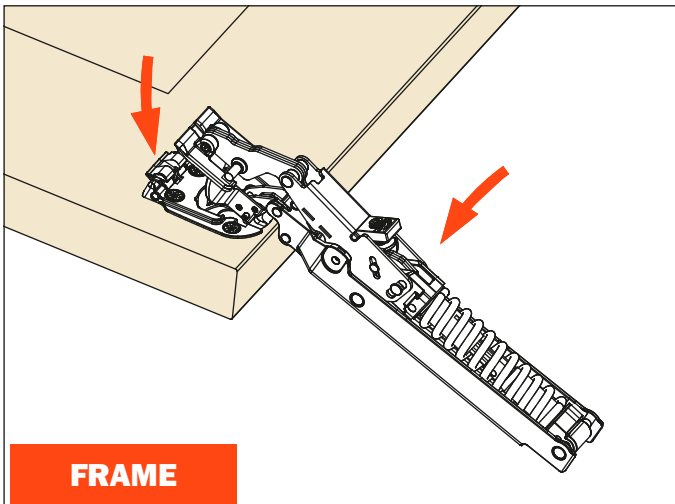
Disassembly of the system

Press the back lever and remove the lift mechanism. This operation is tool free.

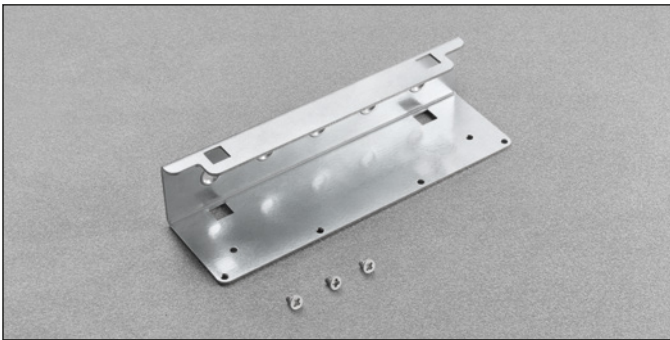


Remove the lift mechanism from the cups (door)

Disconnecting the system from the cups. This operation is tool free.



Wind - Optional top mount bracket



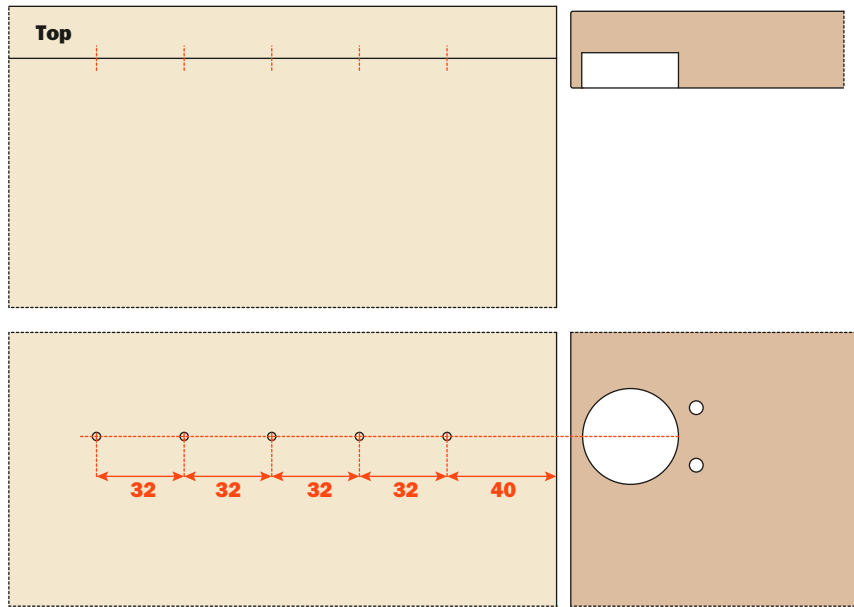
Technical information

Bracket to be attached to the top of the cabinet for use with:

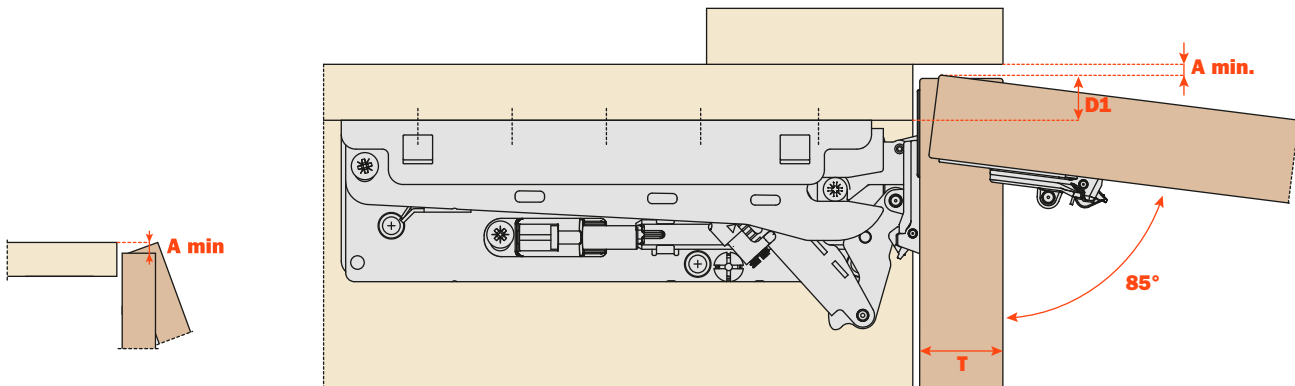
- angled cabinets
- wide or heavier doors
- 5 piece doors
- Non handed

Note: When using the top mount bracket, the overlay is reduced by 3mm. Refer to the overlay chart below.

Drilling pattern.



Space needed to open the door.



K		D1
3	=	13
4	=	14
5	=	15
6	=	16
7	=	17

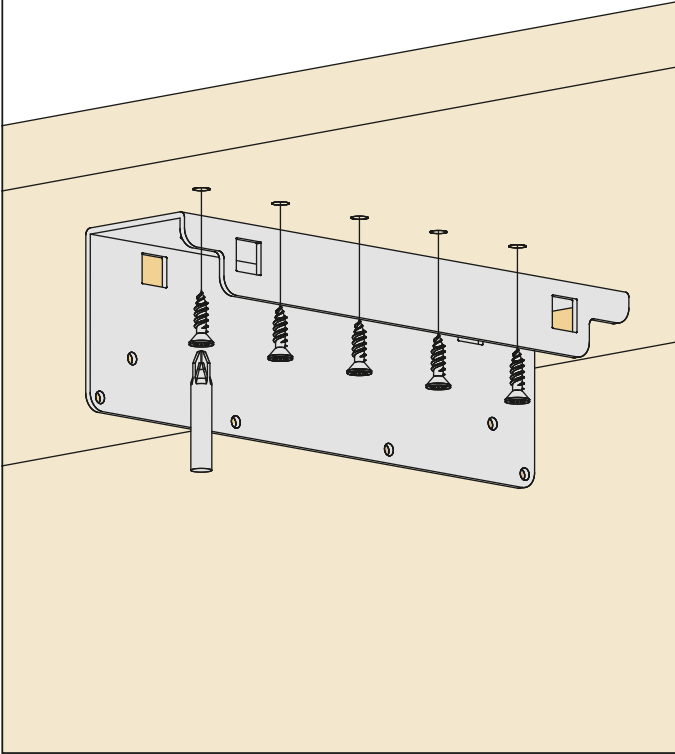
	T=	16	17	18	19	20	21	22	23	24	25	26	27	28
K=3	A = min	0	0.1	0.1	0.2	0.2	0.3	0.5	0.6	0.7	0.9	1.1	1.8	2.7
K=4	A = min	0	0.1	0.1	0.2	0.2	0.3	0.4	0.6	0.7	0.9	1.1	1.3	2.1
K=5	A = min	0	0.1	0.1	0.2	0.2	0.3	0.4	0.6	0.7	0.9	1.1	1.3	1.5
K=6	A = min	0	0.1	0.1	0.2	0.2	0.3	0.4	0.6	0.7	0.9	1.0	1.2	1.5
K=7	A = min	0	0.1	0.1	0.2	0.2	0.3	0.4	0.6	0.7	0.8	1.0	1.2	1.4

Assembly instructions for the brackets

Attaching the brackets to the top of the cabinet.

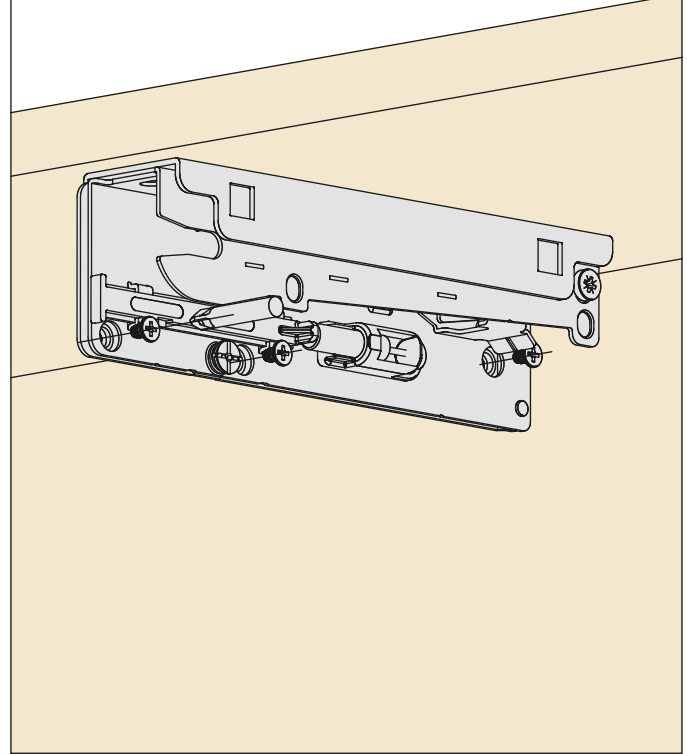
Note: The brackets are non handed.

Attach with five #8 x 5/8" wood screws.



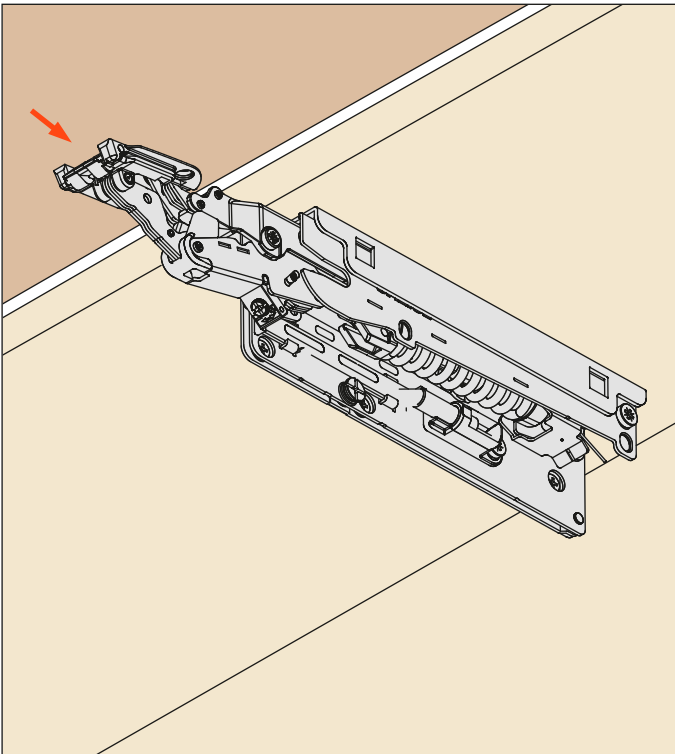
Attaching the base to the top bracket.

Attach with the 3 machine screws provided.

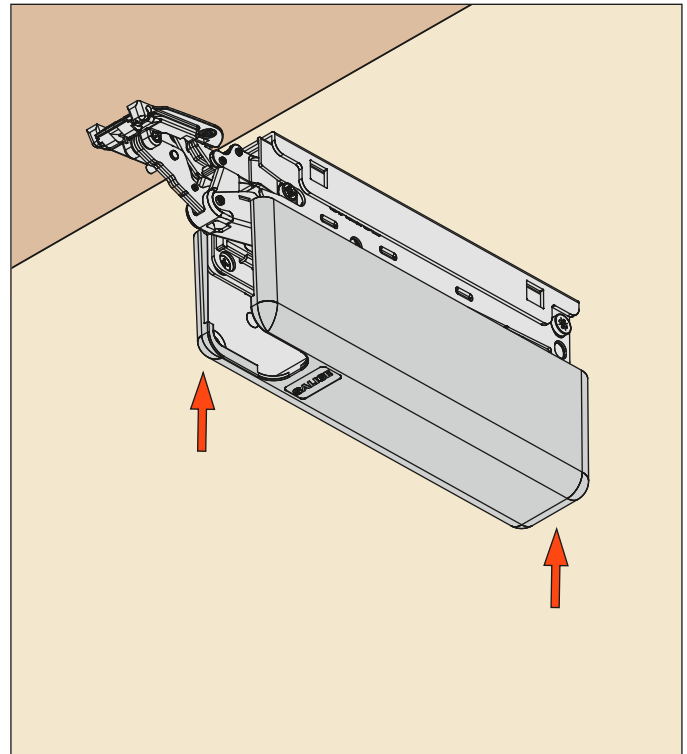


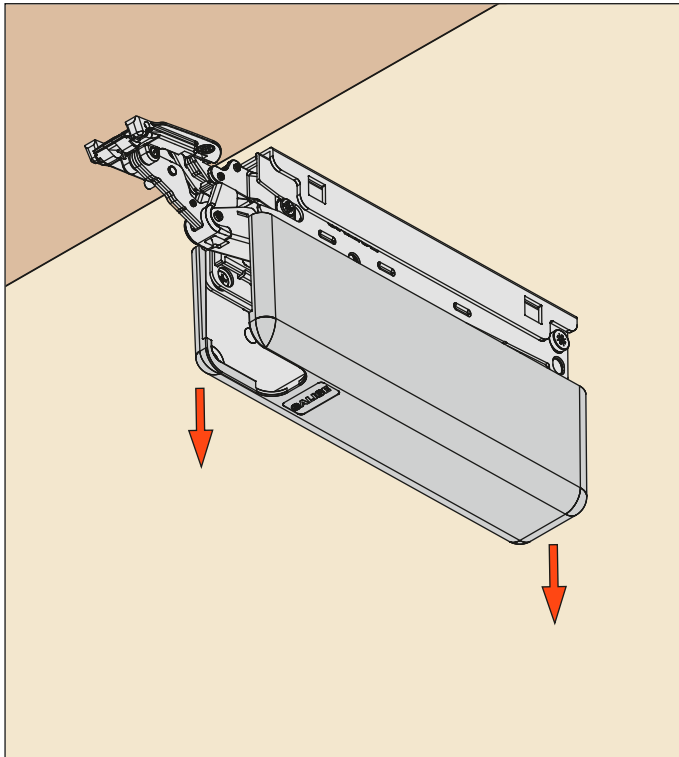
Connecting the lift system to the base.

This operation is tool free.

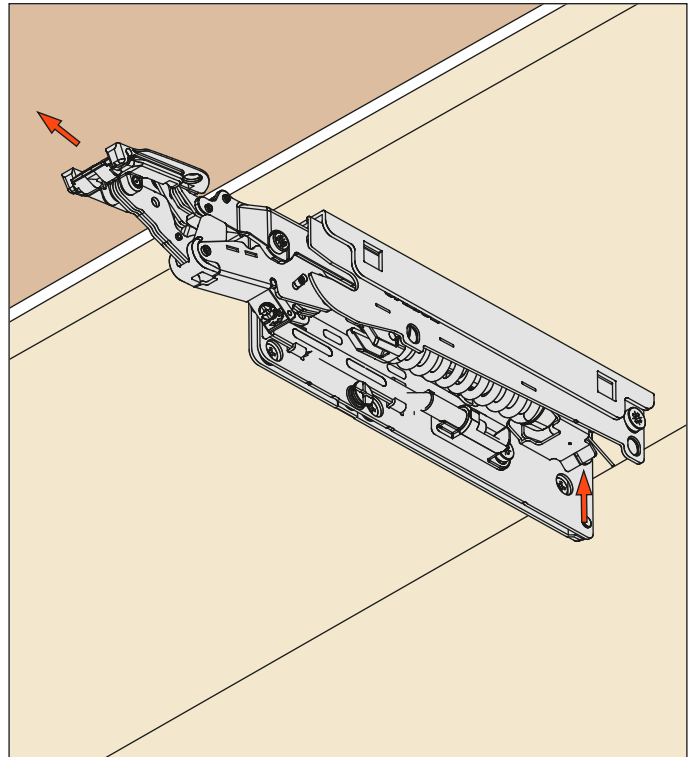
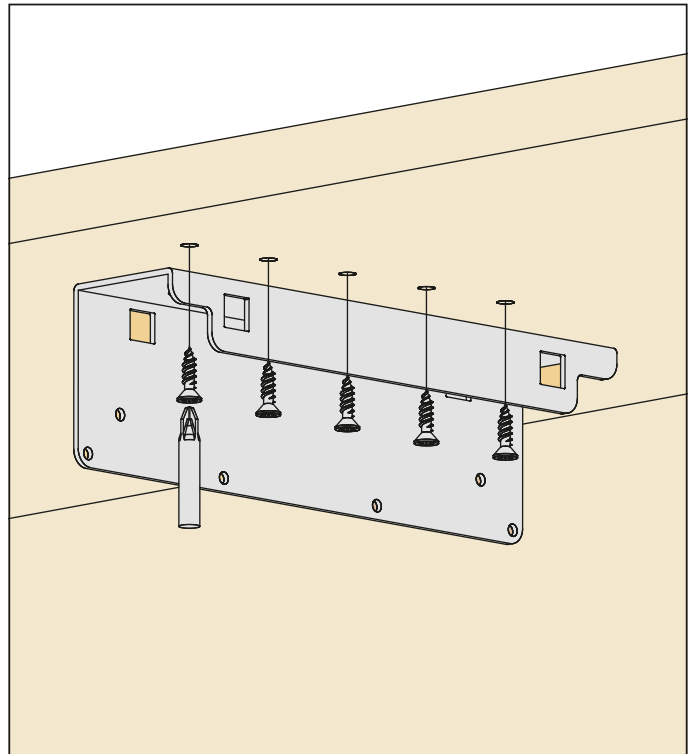
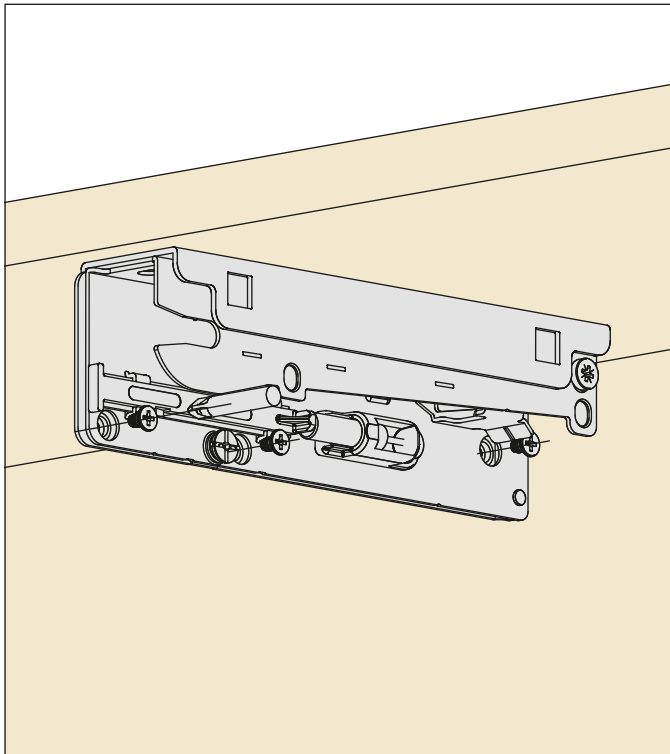


Installing the covers.



Wind - Disassembly instructions for the top mount brackets**Removal of the covers.****Remove the base from the bracket.****Disassembly of the system.**

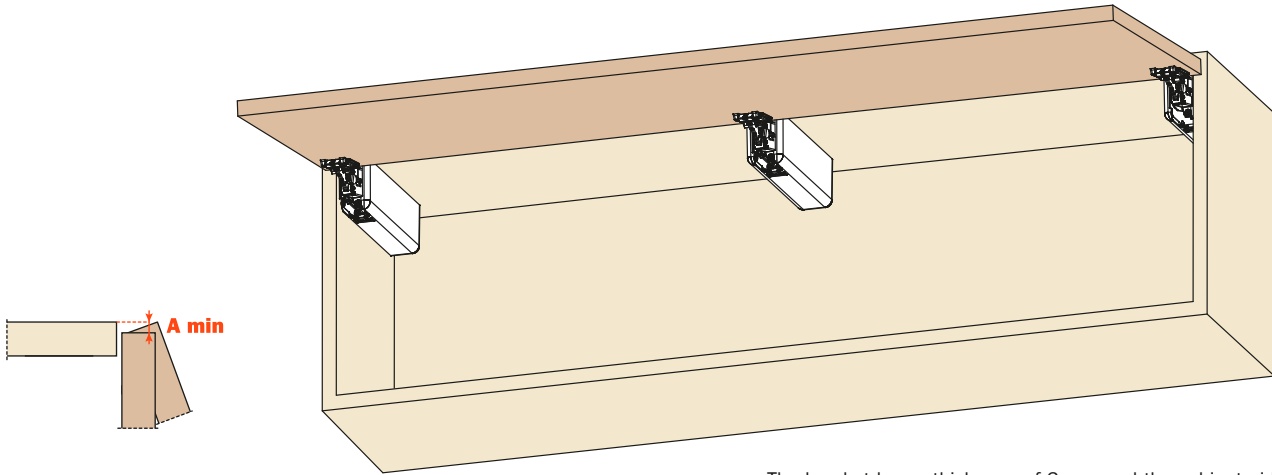
Press the back lever and remove the lift system.
This operation is tool free.

**Remove the screws and the bracket.**

Top mount bracket applications

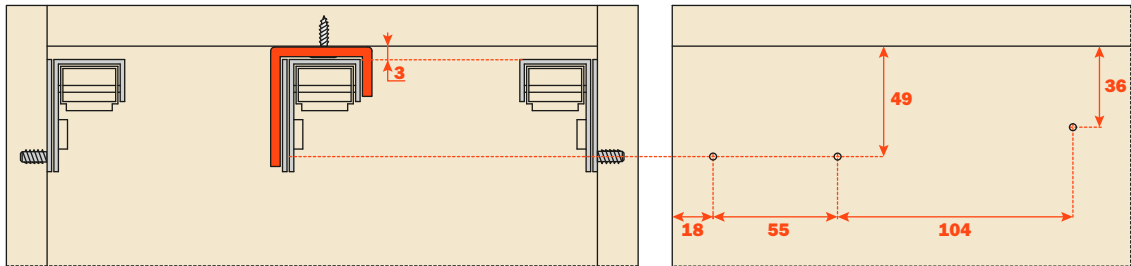
For cabinets that require a third system. For wide cabinet applications without a center partition.
The maximum door width for two Wind is 1200mm/48"

Note: Wind can be used on doors that are larger or heavier by adding additional Wind lifts to the cabinet and door. This can be done by installing a center partition and adding additional Wind lifts or by utilizing the Top Mount Brackets with additional Wind lifts. For all applications requiring more than two Wind lifts, check the Wind charts on pages 19 & 20. Please consult with your local sales representative or contact technical service.

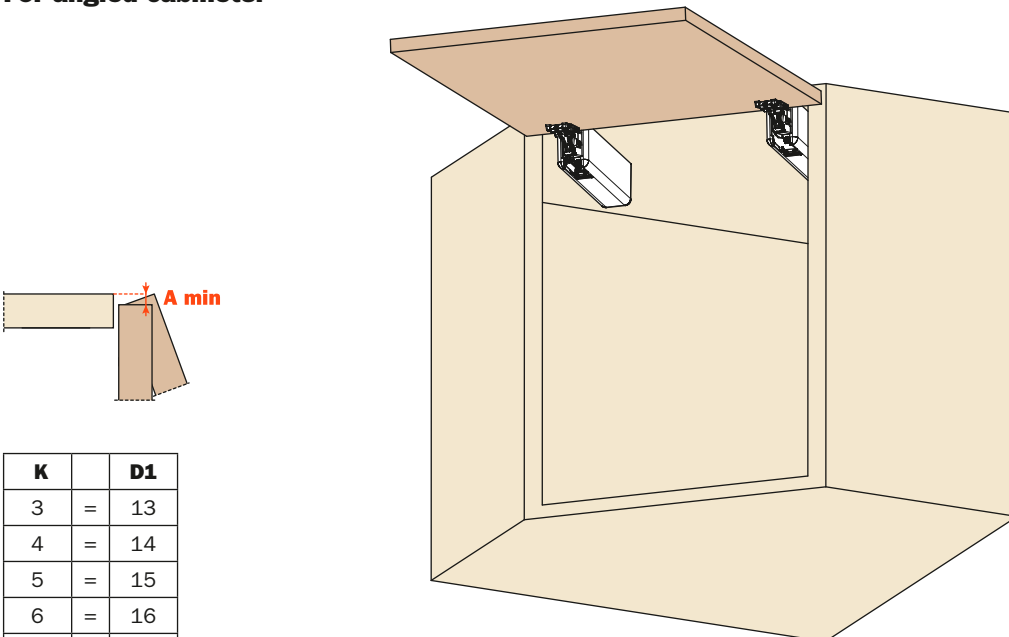


The bracket has a thickness of 3 mm and the cabinet side drilling must be lowered by 3mm. The Wind covers are adjustable and can be positioned to cover the 3mm space at the top.

K		D1
3	=	13
4	=	14
5	=	15
6	=	16
7	=	17



For angled cabinets.



K		D1
3	=	13
4	=	14
5	=	15
6	=	16
7	=	17