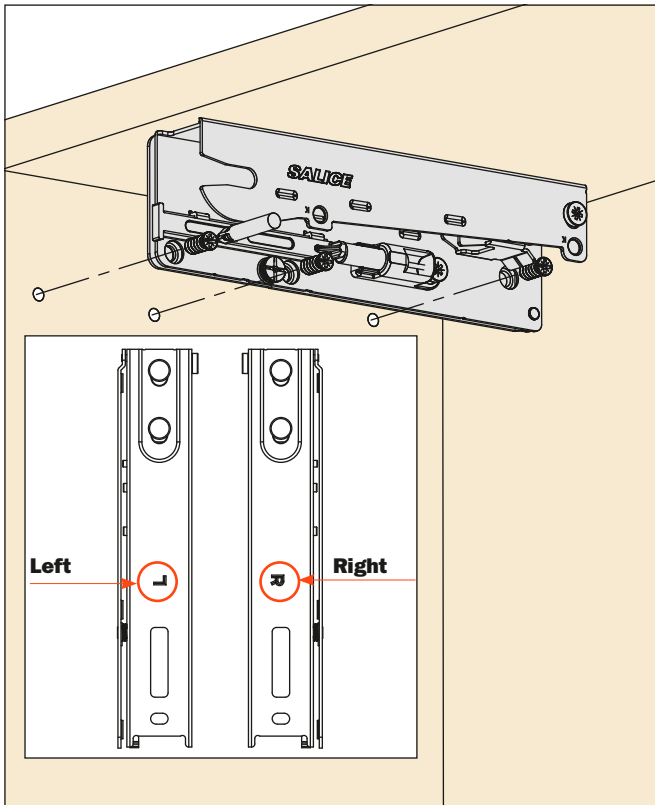
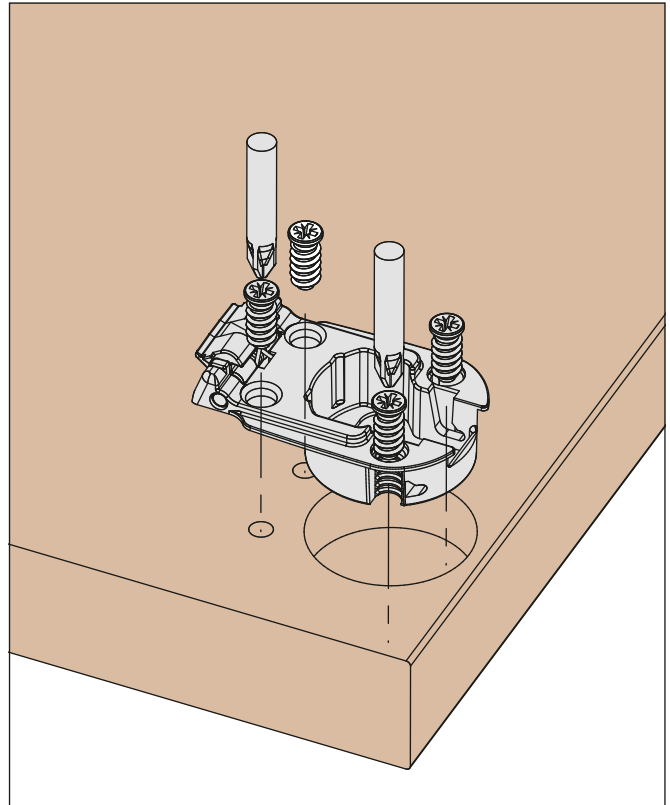


Assembly instructions

Fixing the plates to the cabinet sides.

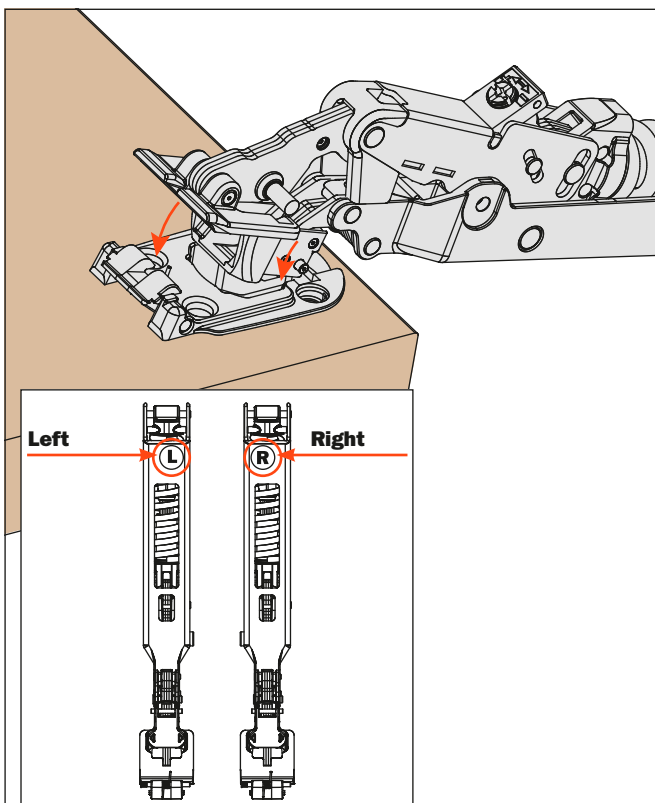


Fixing the cups to the door.



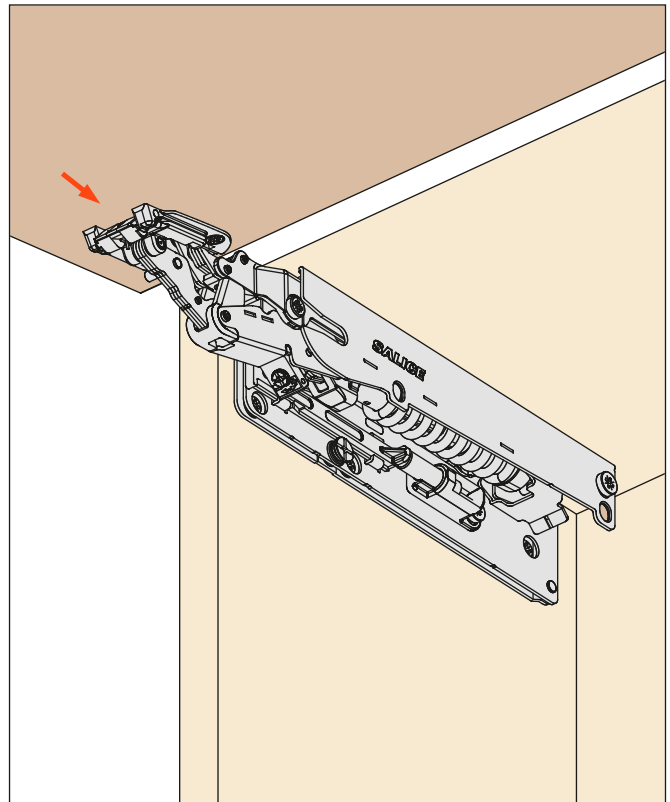
Deploying the system to the cups.

Connecting the system to the cups.
This operation is tool free.



Installing the system to the plates.

Inserting the system until the back fixing is engaged.
This operation is tool free.



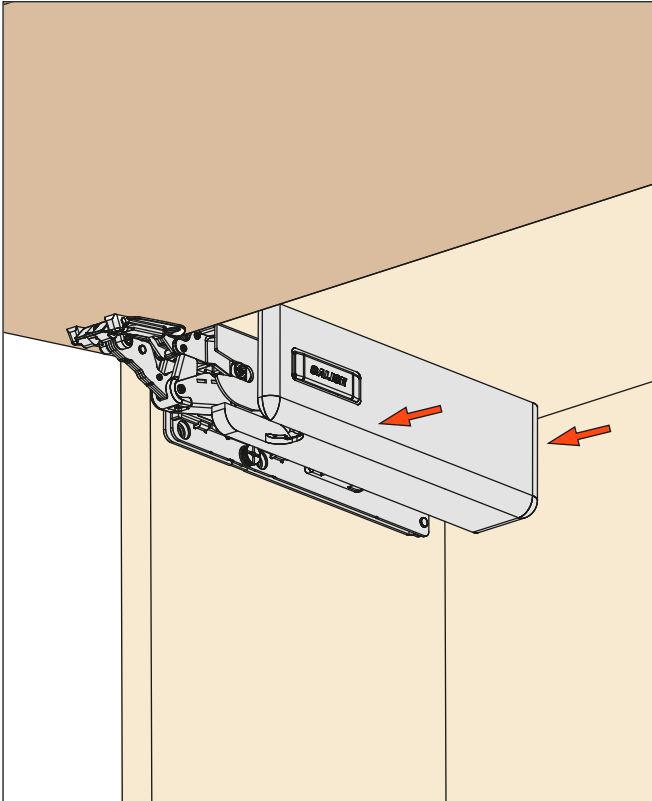
Wind - Assembly instructions

Installing the covers.



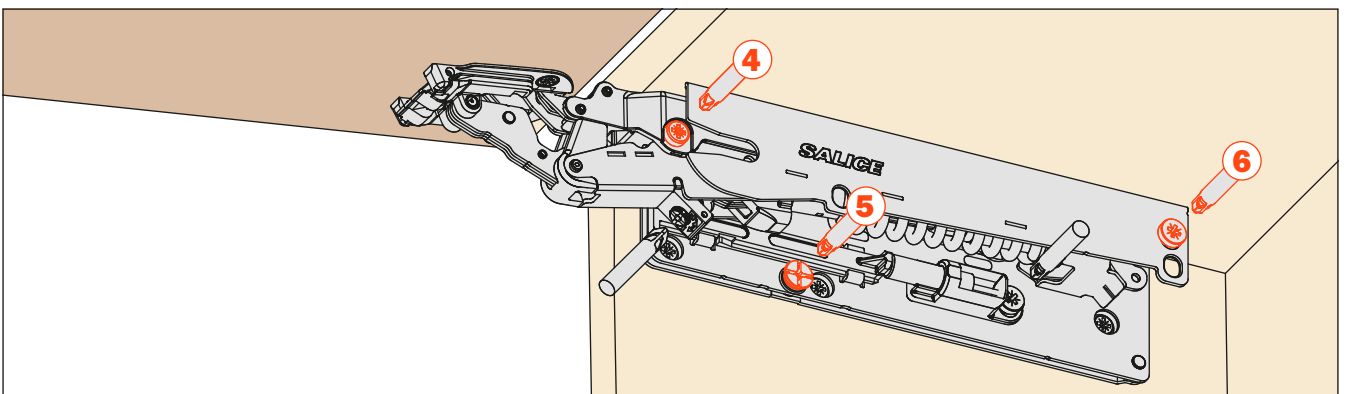
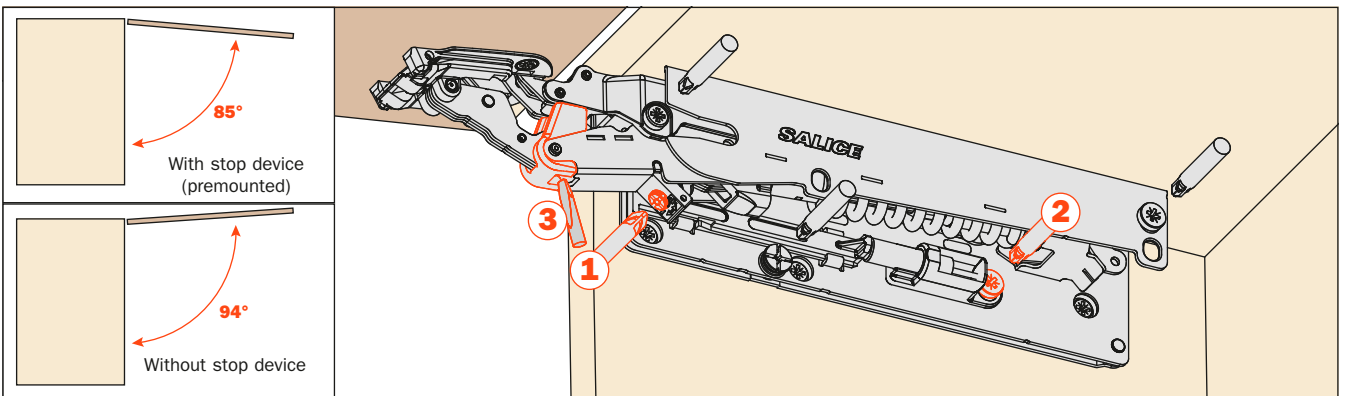
WARNING ! Security cable ties.

Remove the cable ties only at the end of the assembly. Use the instructions and the QR Code attached to the systems.



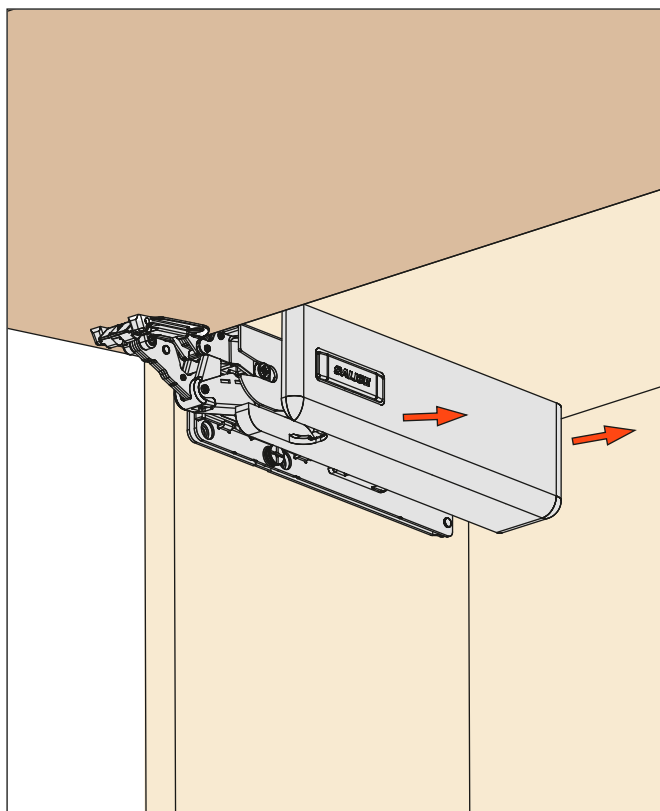
Adjustments.

- 1 - adjustment of the spring strength.
- 2 - adjustment of the decelerating effect.
- 3 - extension/adjustment of the opening angle of the door.
- 4 - height adjustment of the door from - 2 to +2.
- 5 - sideways adjustment of the door from - 2 to +2.
- 6 - depth adjustment of the door from - 1 to +3.



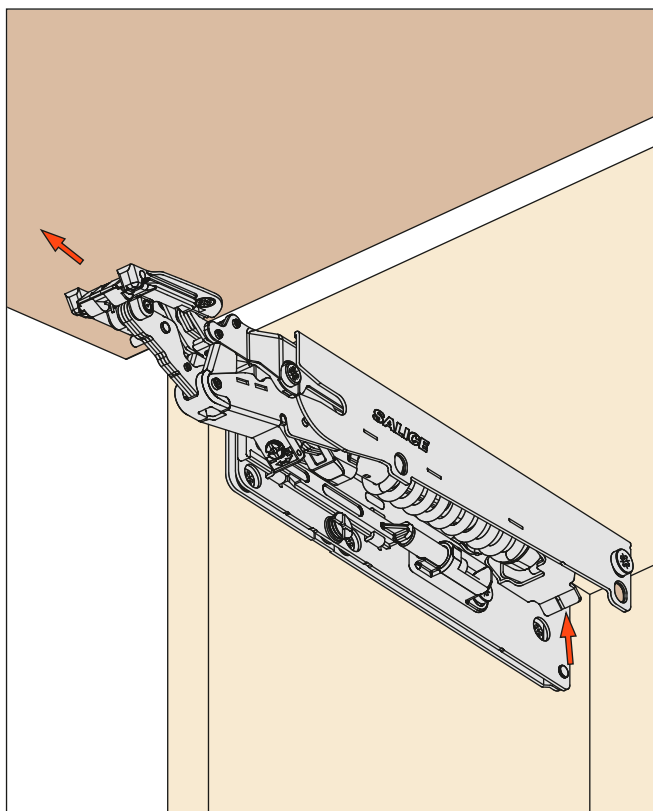
Disassembly instructions

Removal of the covers.



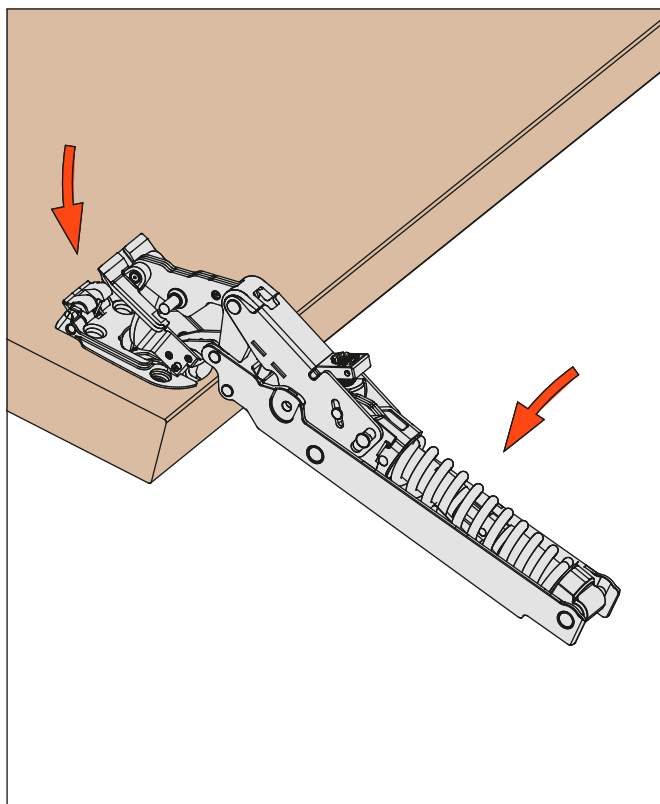
Disassembly of the system.

Press the back lever and pull out the system.
This operation is tool free.

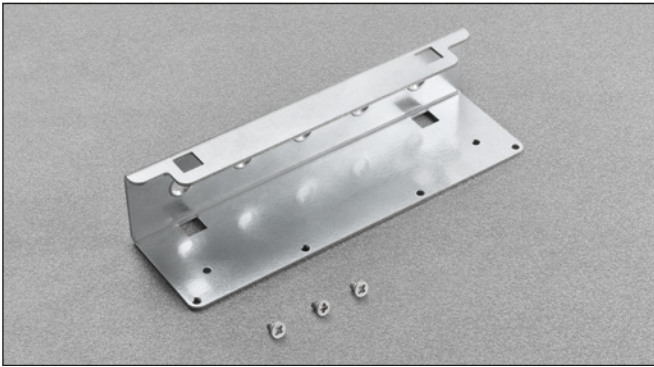


Unfasten the system from the cups.

Disconnecting the system from the cups.
This operation is tool free.



Wind - Optional carrier for top-hung doors



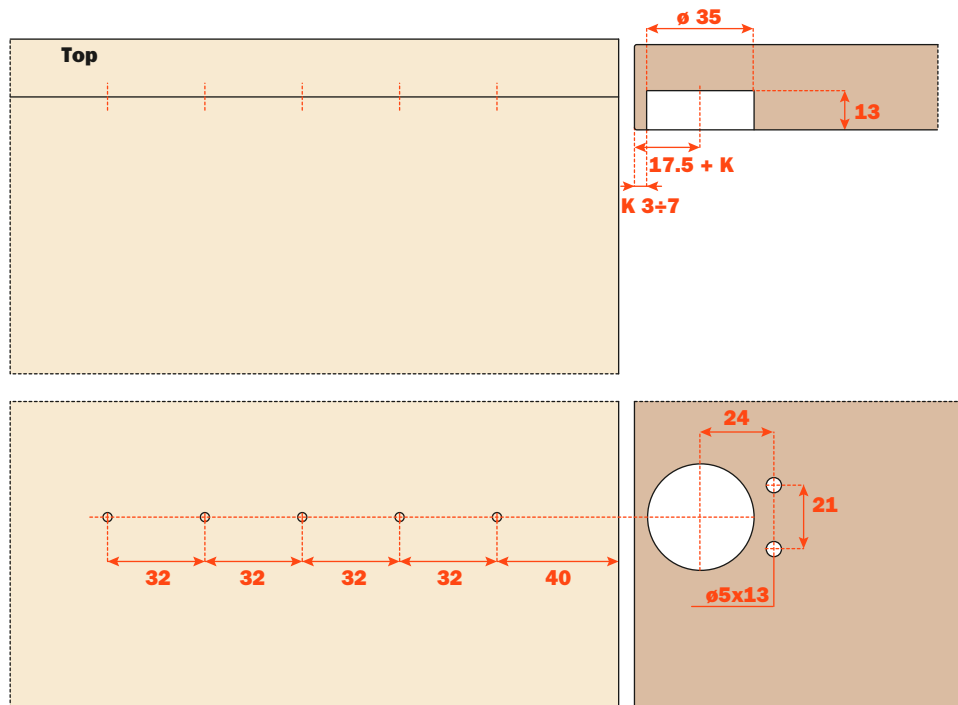
Technical information

Carrier to be screw-fixed to the top of the cabinet for use with:

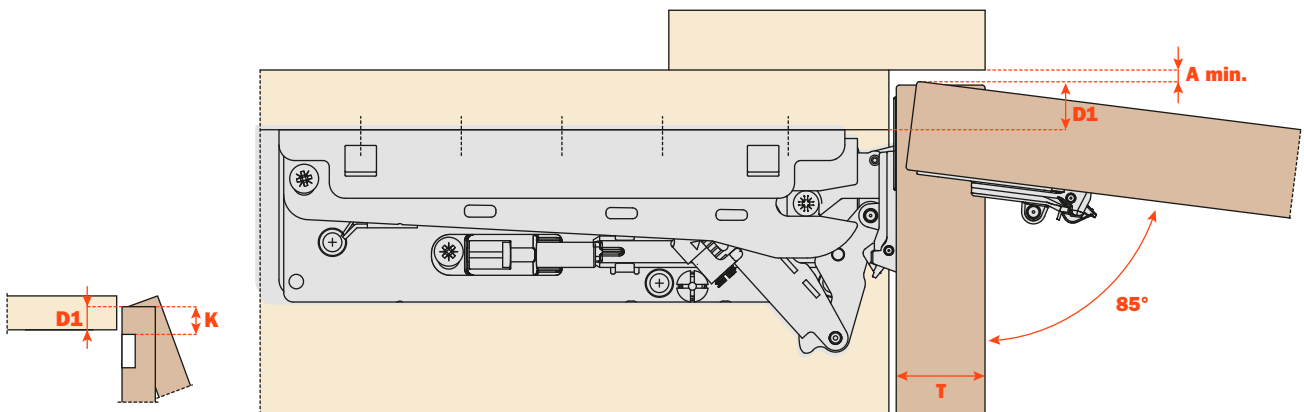
- corner cabinets
- doors of large weight and dimensions

We suggest to fix the carrier with wood screws 4x18.

Drilling patterns.



Space needed to open the door.

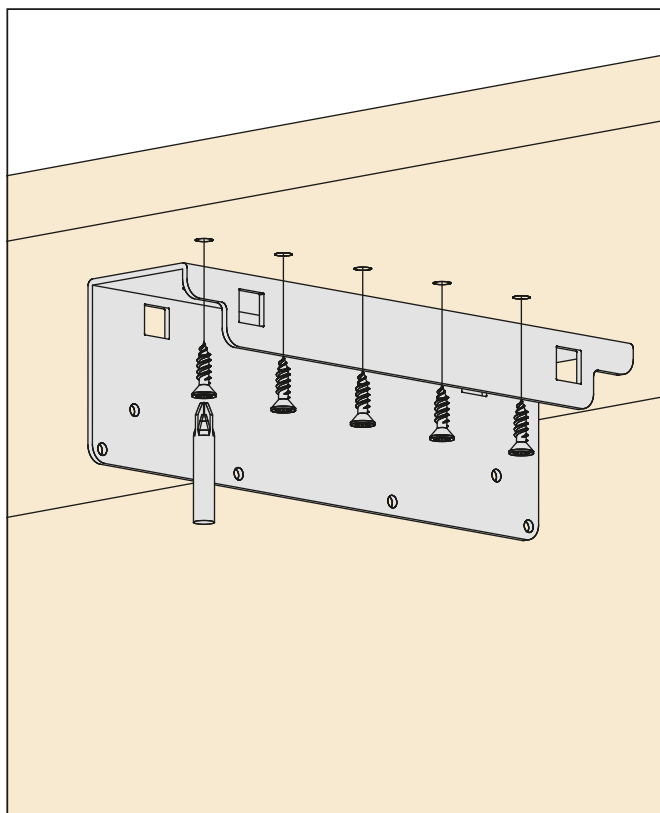


K	D1
3	= 13
4	= 14
5	= 15
6	= 16
7	= 17

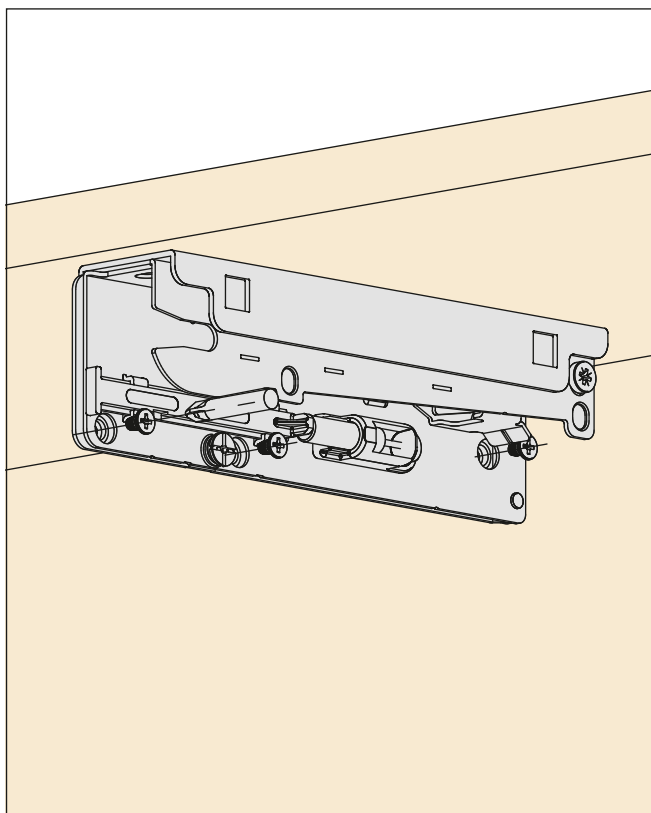
	T=	16	17	18	19	20	21	22	23	24	25	26	27	28
K=3	A = min	0	0.1	0.1	0.2	0.2	0.3	0.5	0.6	0.7	0.9	1.1	1.8	2.7
K=4	A = min	0	0.1	0.1	0.2	0.2	0.3	0.4	0.6	0.7	0.9	1.1	1.3	2.1
K=5	A = min	0	0.1	0.1	0.2	0.2	0.3	0.4	0.6	0.7	0.9	1.1	1.3	1.5
K=6	A = min	0	0.1	0.1	0.2	0.2	0.3	0.4	0.6	0.7	0.9	1.0	1.2	1.5
K=7	A = min	0	0.1	0.1	0.2	0.2	0.3	0.4	0.6	0.7	0.8	1.0	1.2	1.4

Assembly instructions for the carriers

Fixing the carriers to the top of the cabinet.

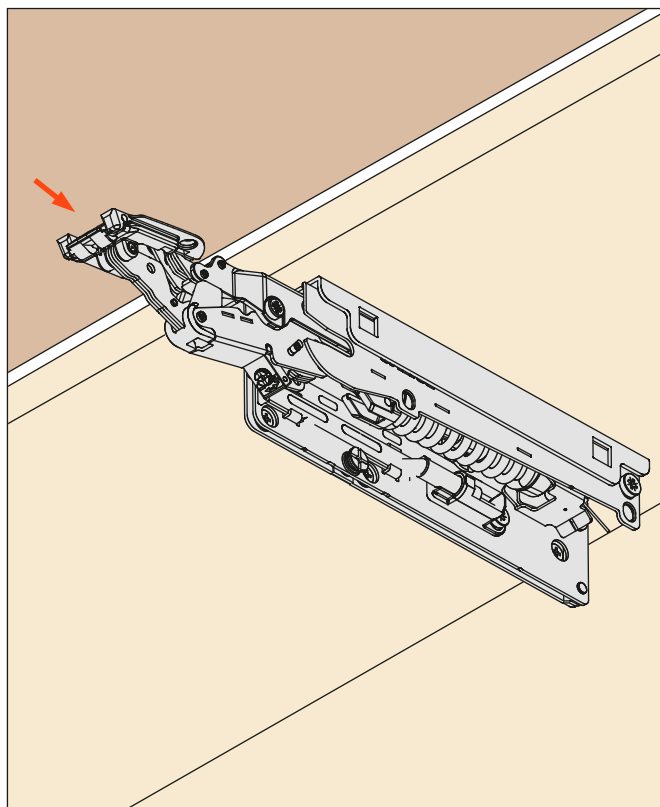


Fixing the plates to the carriers.

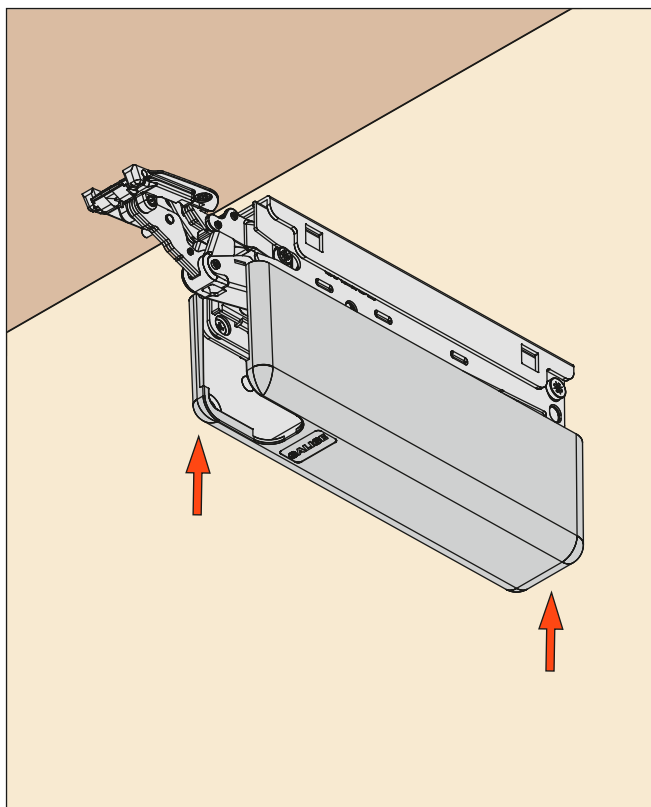


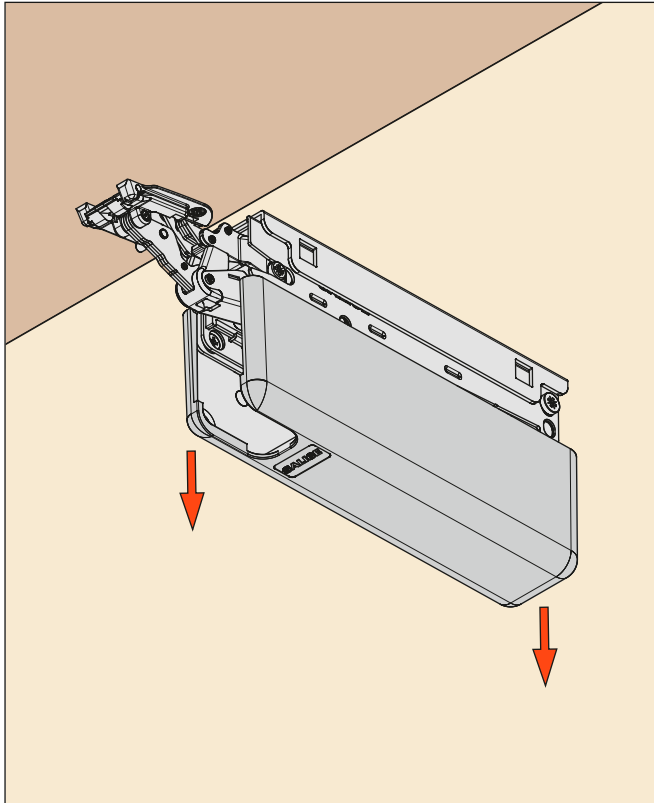
Installing the system to the plates.

Installing the system till the back fixing.
This operation is tool free.

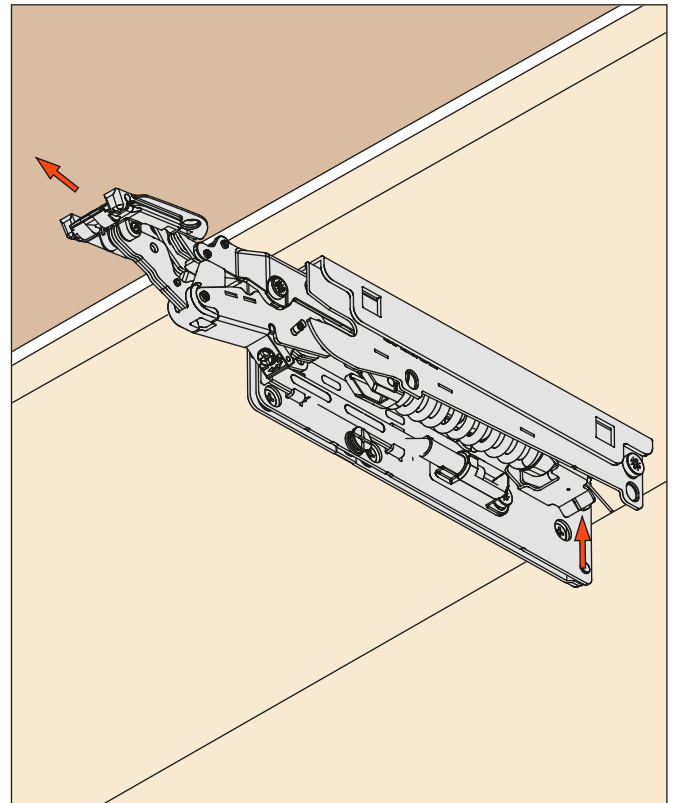
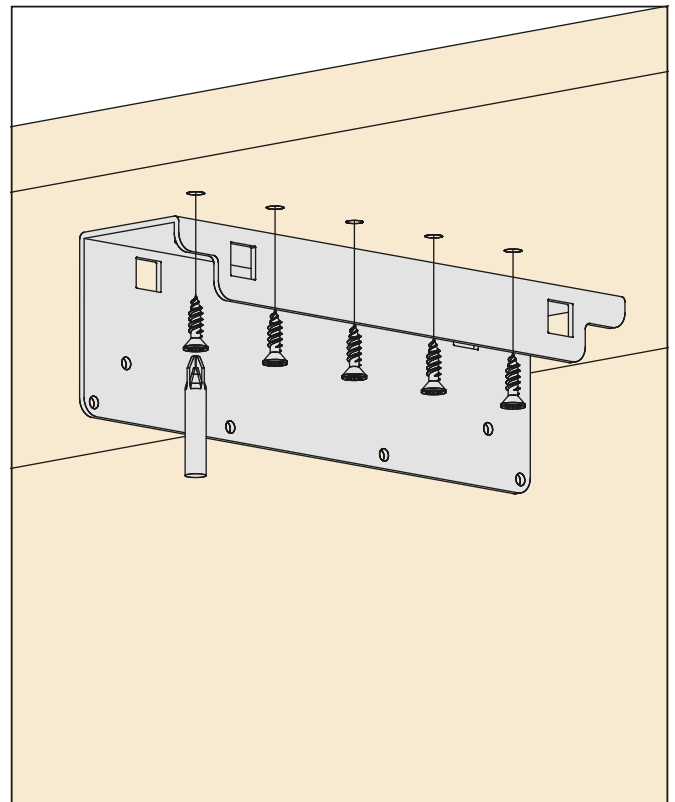
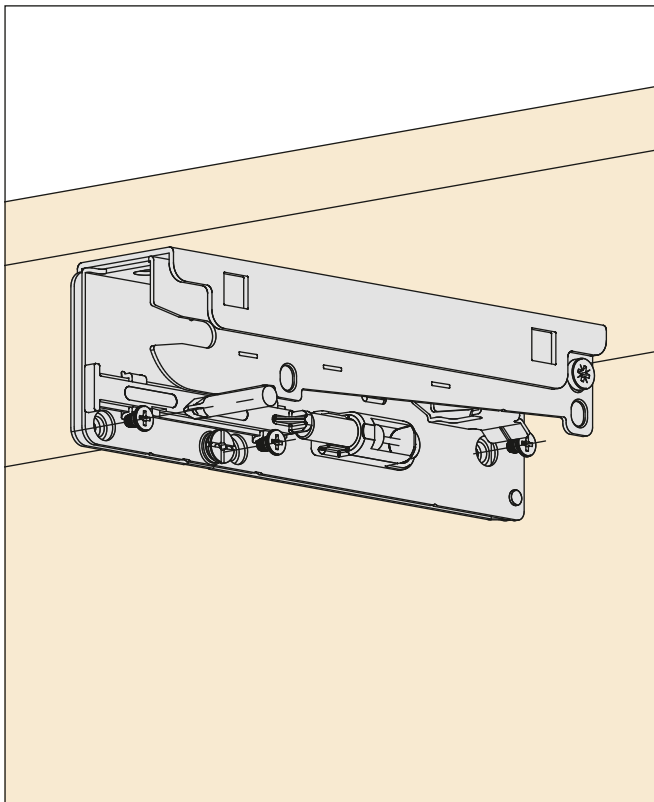


Installing the covers.



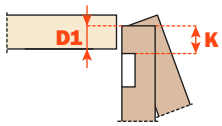
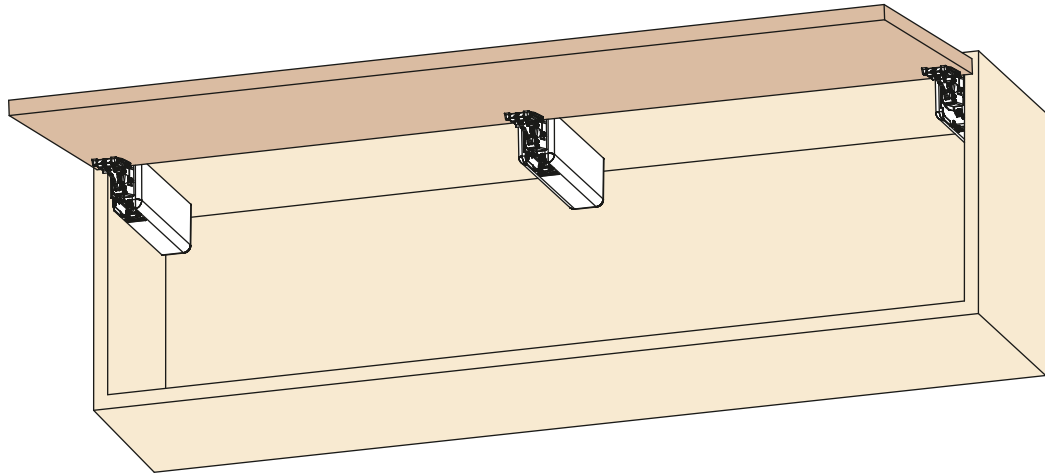
Wind - Disassembly instructions for the carriers**Removal of the covers.****Unfasten the plates from the carriers.****Disassembly of the system.**

Press the back lever and pull out the system.
This operation is tool free.

**Unfasten the carriers.**

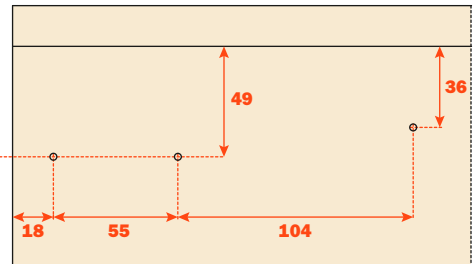
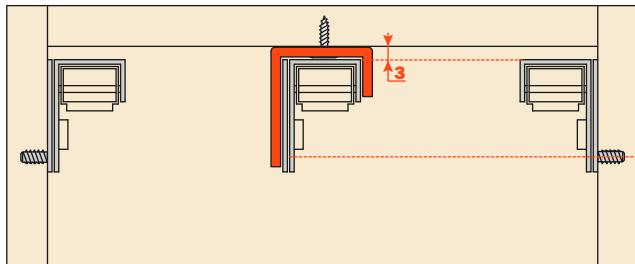
Examples of applications for top-hung doors using optional carrier

For cabinets that require a third system.

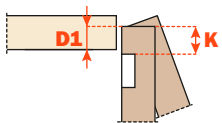
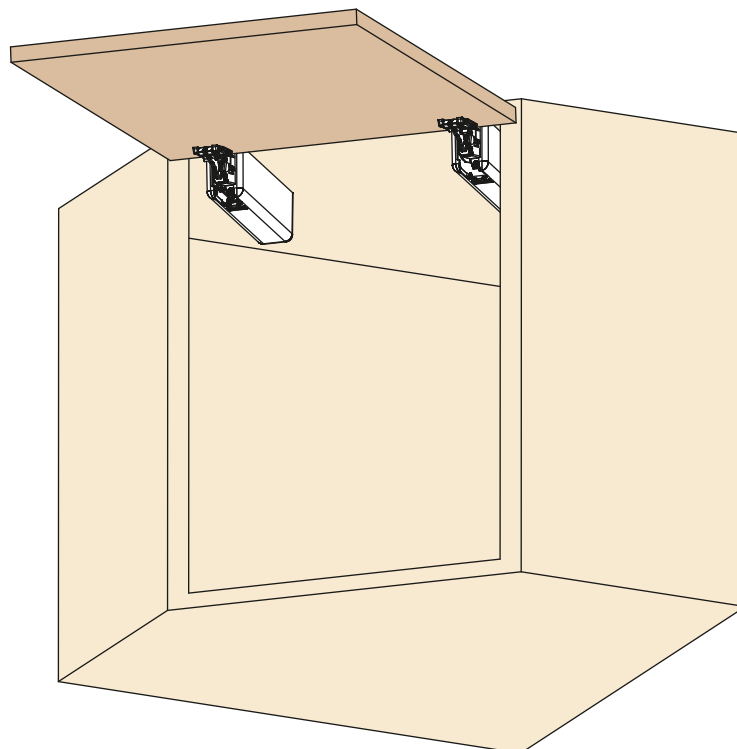


The carrier has a thickness of 3 mm.
The cabinet side drillings must be lowered accordingly.

K		D1
3	=	13
4	=	14
5	=	15
6	=	16
7	=	17



For corner cabinets.



K		D1
3	=	13
4	=	14
5	=	15
6	=	16
7	=	17