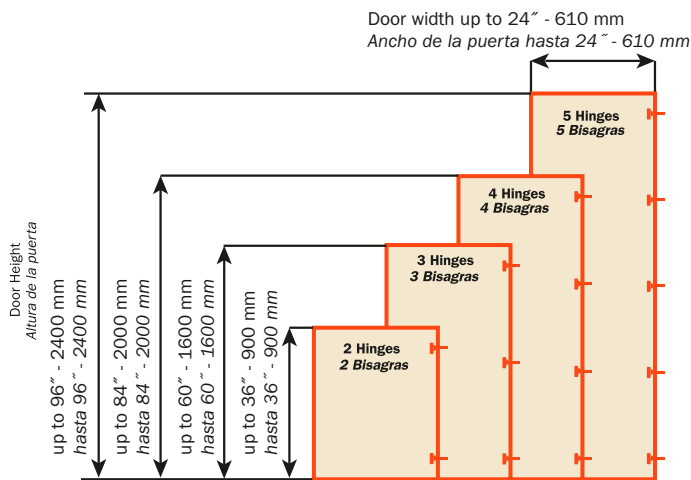


Universal hinges for glass doors

No drilling of the glass is required.

The number of hinges required depends on the size, weight and material of the door. The distance between the top and bottom must be greater than the width of the door. Additional hinges should be added if doors are near the border line of size or weight chart. Use the diagram below to determine number of hinges needed.



Technical features

Disclaimer

Salice Universal (CBG) hinges have been developed for use on glass doors and mirrors. Salice will accept no responsibility for any problems associated with the type of adhesive or method of application when used in conjunction with Universal hinges, nor for any consequences of the incorrect mounting of the door. It is recommended that the selected adhesive is subjected to prior testing. The adhesive may be considered appropriate if the plate, when fixed to the glass, can sustain a minimum torsion load of 160 Nm.



Adjustments

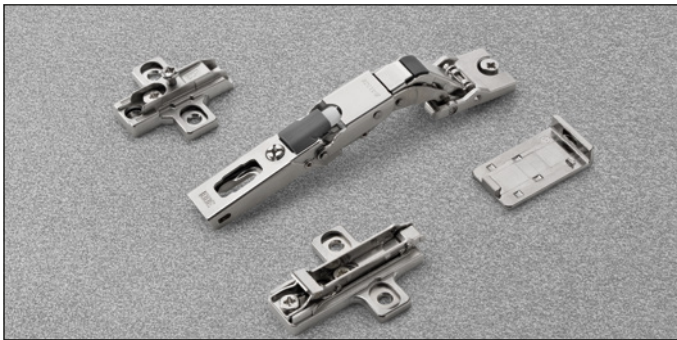
Parallel side adjustment from -1.5 mm to +4.5 mm.
Height adjustment ± 2 mm.
Depth adjustment with Series 200 mounting plates +2.8 mm.
Depth adjustment with Domi snap-on mounting plates from -0.5 mm to +2.8 mm.

N.B. : Use POZIDRIVE No. 2 screwdrivers for all screws.

Mounting plates

Snap-on assembly on Domi mounting plates.
Symmetrical and asymmetrical bright nickel plated steel or die-cast
Positioning with pre-determined stop on traditional Series 200 mounting plates.
Series 200 mounting plates.

110° opening

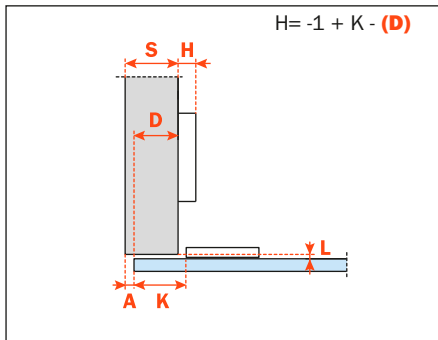


Technical information

Hinges for glass doors.
No drilling of the glass is required.

Attachment distance on the door (K): from 0 to 22 mm.
 110° opening. To limit the opening of the hinge, see page 17
 "Accessories".

Compatible with all traditional Series 200 mounting plates and
 with all Domi snap-on mounting plates.
 See page 15 for installation specs and applications.



CBG2AE9 = with integrated soft-close

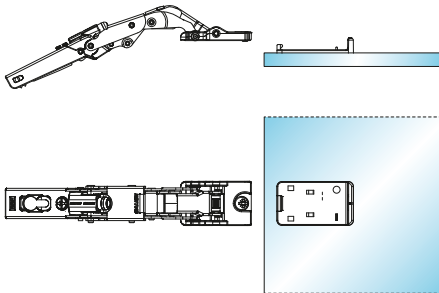
CBG2AC9 = self-close

CBGQAC9 = with Push opening

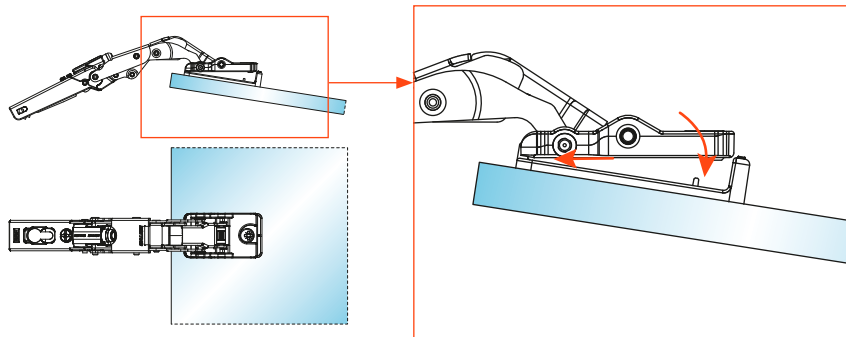
Packaging

Boxes 150 pcs. • Pallets 3.600 pcs.

1) The hinge plate must be attached to the glass door with a specific adhesive using the correct procedure. We recommend that this operation is carried out by a specialist company. For further information on adhesives and their application, please contact the adhesive manufacturer or your glass supplier.



2) Locate the hinge onto the plate when it is bonded to the door.



3) Rotate the fixing cam with a #2 Pozzi screw driver.

