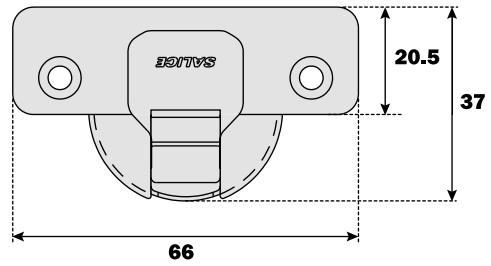
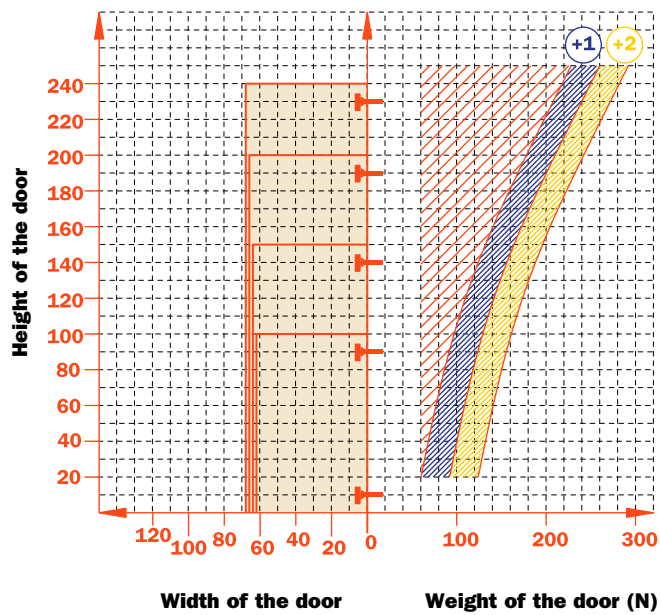


The Series 200 make up an integrated system of hinges developed to provide a solution to any situation involving concealed hinges.  
**Bright nickel plated steel cup and arm.**  
**Dimensions of the Ø 35 mm cup.**



Constant "L" value of 0.7 mm (it does not change during side adjustment).

Approx. number of hinges required according to the door dimension and weight.



## Adjustments

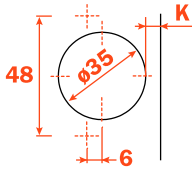
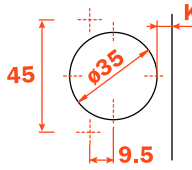
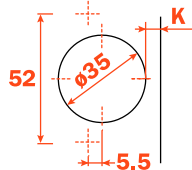

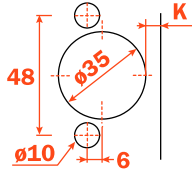
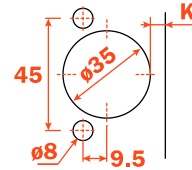
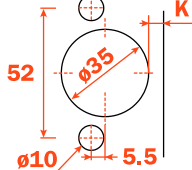
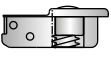

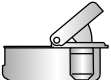
Compensating side adjustment from -1.5 mm to +4.5 mm.  
 Height adjustment  $\pm 2$  mm.  
 Depth adjustment with Series 200 mounting plates +2.8 mm.  
 Depth adjustment with Domi snap-on mounting plates from -0.5 mm to +2.8 mm.  
 Anti-sliding safety stop.

## Mounting plates

Symmetrical and asymmetrical bright nickel plated steel or die-cast Series 200 mounting plates.  
 Snap-on assembly on Domi mounting plates.  
 Positioning with pre-determined stop on traditional Series 200 mounting plates.

N.B. : Use POZIDRIVE No. 2 screwdrivers for all screws.

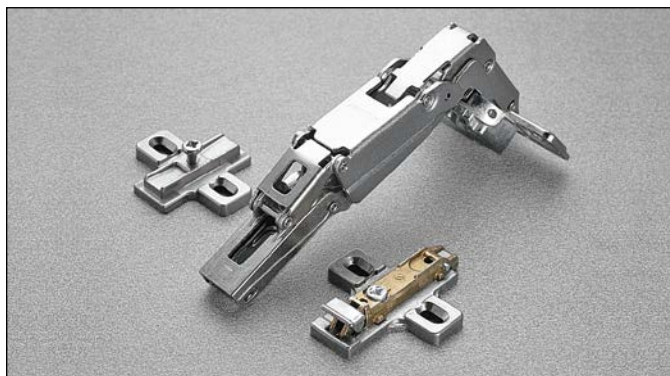
## Drillings and fixings

													
<b>Wood screw</b>		A	A	A	A	P	P	P	P	U	U	U	U
													
<b>Rapido</b>		6	6	6	6	7	7	7	7	2	2	2	2
<b>Dowel</b>		B	B	B	B	R	R	R	R	W	W	W	W
<b>Logica</b>		I	I	I	I	J	J	J	J	Q	Q	Q	Q

**Use this table to identify the available drillings and fixings.**

**Fill the third position of the hinge code number with the letter or the number corresponding to your choice. I.e.: C2\_BA99.**

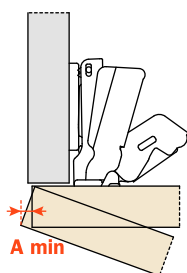
↑  
Fill this position with the chosen letter or number.



**Technical information**

**Hinge with greater opening angle and reduced operating profile.**  
 11 mm deep die-cast cup.  
 165° opening.  
 Possible drilling distance on the door (K): from 3 to 8 mm.  
 Compatible with all traditional Series 200 mounting plates and with all Domi snap-on mounting plates.

**Space needed to open the door**

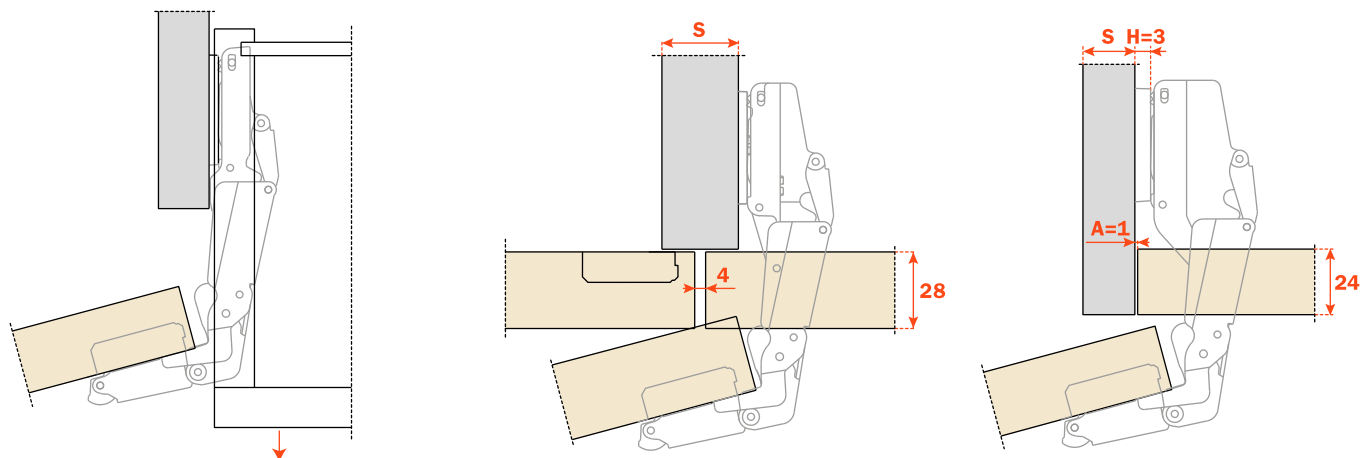


	T=	16	18	20	22	24	26	28
K=3	<b>A=</b>	0.0	0.0	0.0	0.7	2.7	4.6	7.9
K=4	<b>A=</b>	0.0	0.0	0.0	0.1	1.8	3.8	6.9
K=5	<b>A=</b>	0.0	0.0	0.0	0.1	1.2	3.0	5.9
K=6	<b>A=</b>	0.0	0.0	0.0	0.1	0.9	2.5	4.9
K=7	<b>A=</b>	0.0	0.0	0.0	0.1	0.7	2.0	3.9
K=8	<b>A=</b>	0.0	0.0	0.0	0.1	0.6	1.7	3.2

**The above values are calculated on the assumption that the doors have square edges. They are reduced if the doors have radiussed edges.**

**“C” value**

For spaces with removable components. Opening with lateral door protrusion equal to 5.5 mm with a hinge with straight arm, H=0 mounting plate and K=3 mm.



**Packing**

Boxes 100 pcs.  
Pallets 2.400 pcs.

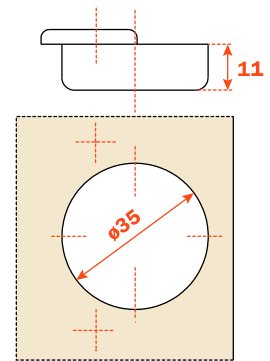
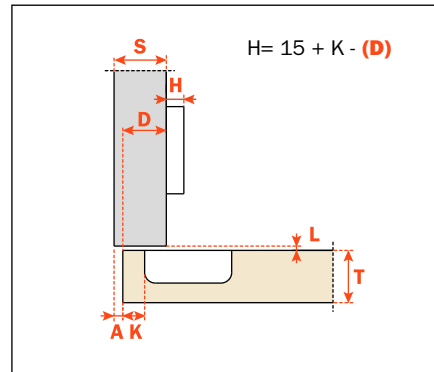
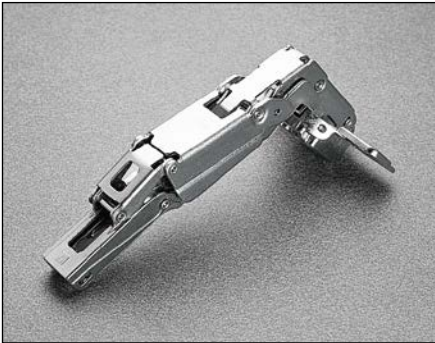
**CA** sprung hinge

**CL** unsprung hinge

Use these formulas to determine the type of hinge arm, the drilling distance "K" and the height of the mounting plate "H" which is necessary to solve each application problem.

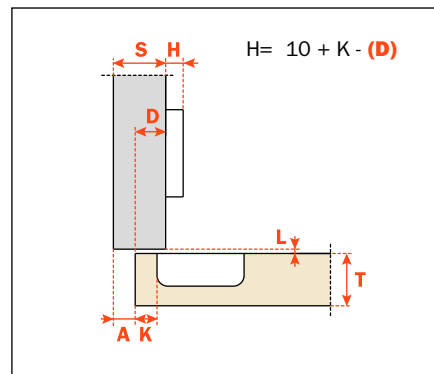
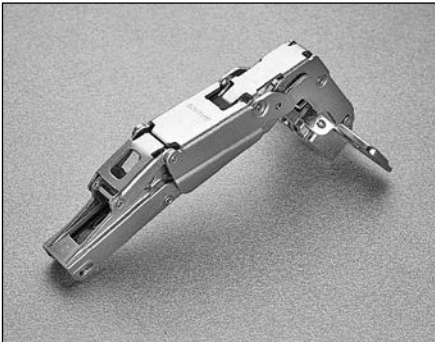
To limit the opening of the hinge, see the leaflet "Accessories".

Use the tables "Drillings and fixings" at page 3 to complete the code number of the desired hinge.

**Arm 0**

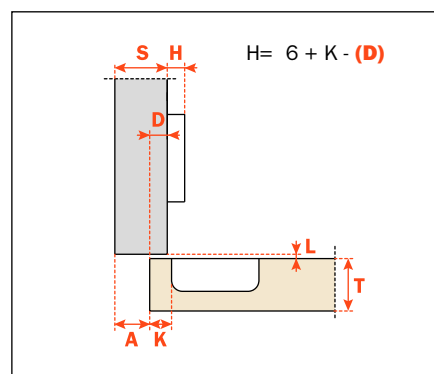
**CA - C2\_FA99**

**CL - C2\_EA99**

**Arm 5**

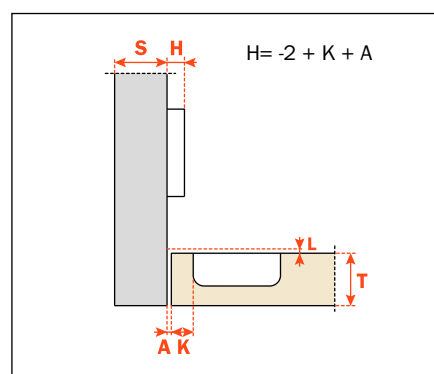
**CA - C2\_FD99**

**CL - C2\_ED99**

**Arm 9**

**CA - C2\_FG99**

**CL - C2\_EG99**

**Arm 17**

**CA - C2\_FP99**

**CL - C2\_EP99**