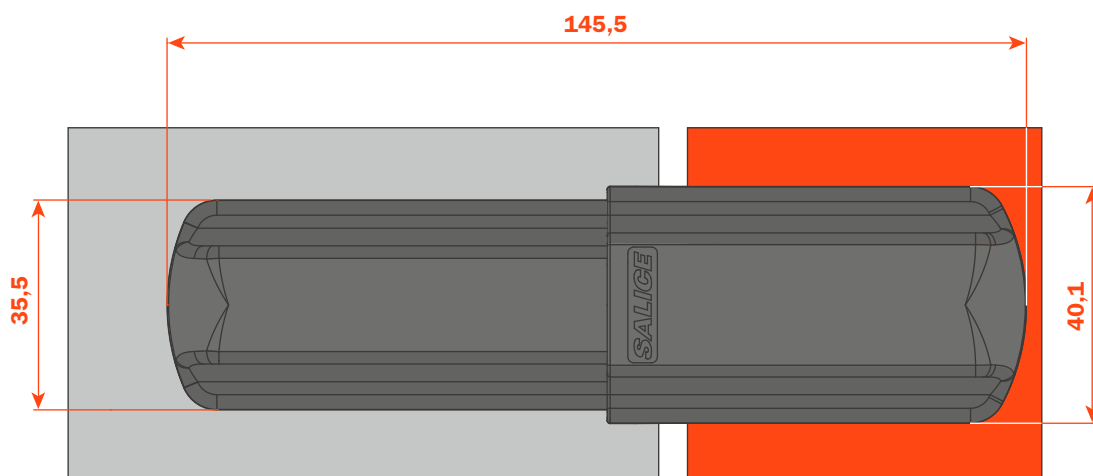
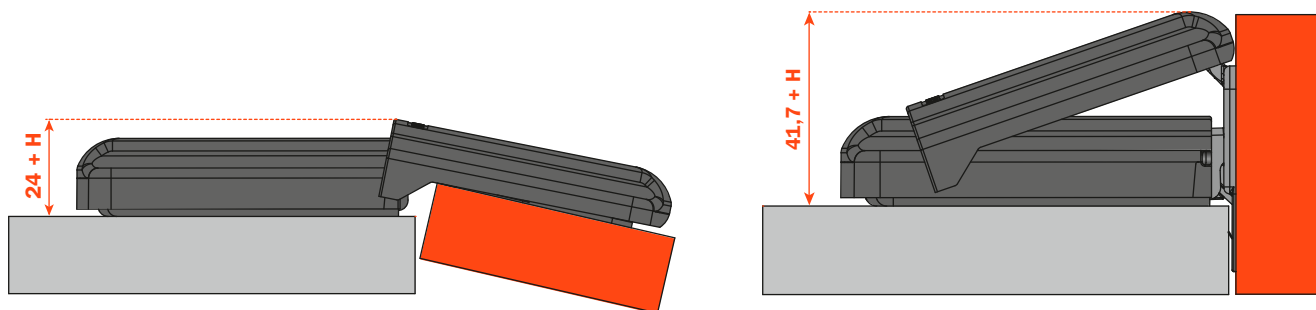


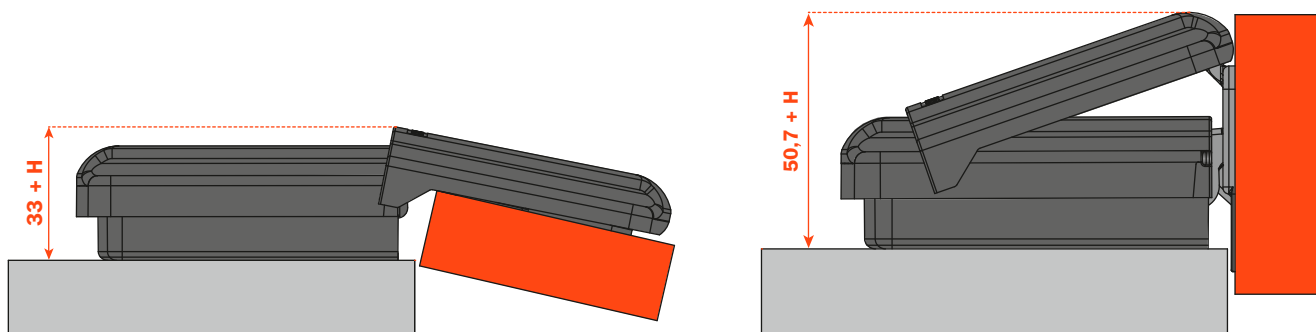
## Technical information • overall dimensions



### Lapis hinge • 0 arm • 0 mounting plate



### Lapis hinge • 9 arm • 0 mounting plate



**Lapis • Assembly instructions**

After fixing the mounting plate, attach the skirt.

Attached skirt.



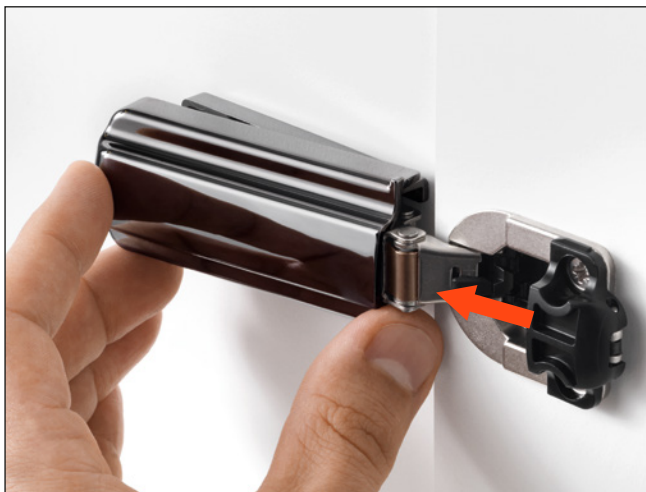
Clip the hinge onto the mounting plate.

**ATTACHMENT OF THE HINGE ARM COVER**



Clip the cover onto the hinge arm.

Press to clip the cover.



## Assembly instructions

### ATTACHMENT OF THE DOOR SIDE COVER

Lift the carrier.

Clip the cover onto the carrier.



Half-close the door to ensure that the covers are engaged correctly.



**Lapis • Disassembly instructions**

Half-close the door and lift the cover.

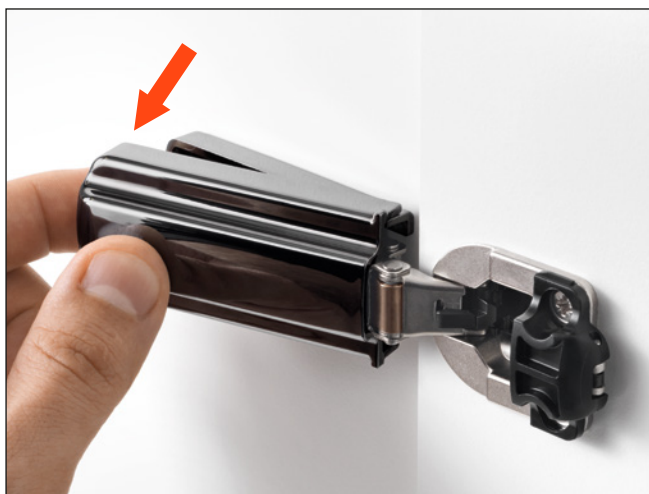


Remove the cabinet side cover.

Open the door and push the cover firmly in the direction indicated.



Unclip the hinge from the mounting plate.



Remove the skirt.

